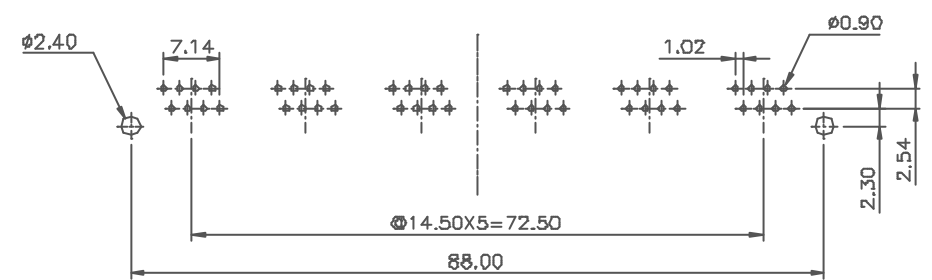
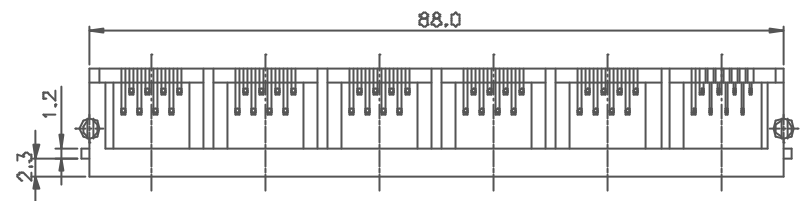
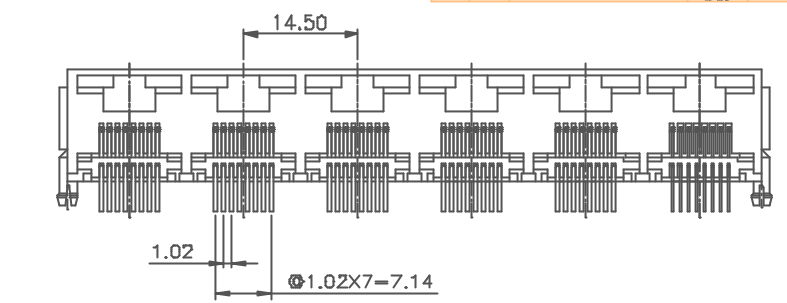
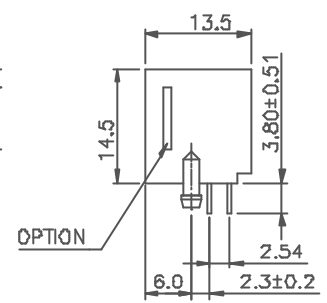
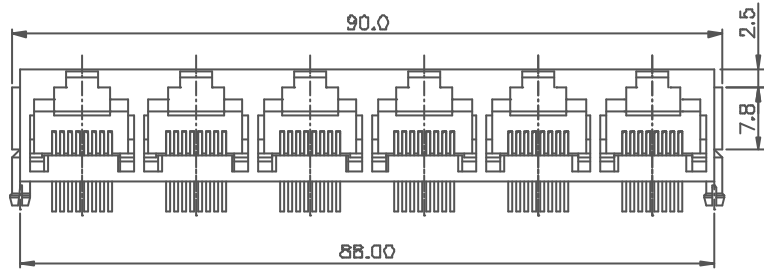


REVISION RECORD				
REV	ECO	DESCRIPTION	DRFT	D-K/D
△		料號變更	8/28/98 BKK	



NOTES:

ELECTRICAL:

- VOLTAGE RATING : 125 VAC RMS.
- CURRENT RATING : 1.5 AMP.
- CONTACT RESISTANCE : 30 MINIOHMS MAX.
- INSULATION RESISTANCE: 500 MEGOHMS MIN @ 500 VDC.
- DIELECTRIC STRENGTH : 1000 VAC RMS 60Hz, 1MIN.

MECHANICAL:

- HOUSING MATERIAL : GLASS FILLED POLYESTER UL94V-0.
- CONTACT MATERIAL : PHOSPHOR BRONZE $\phi 0.46$ mm.
- PLATING : GOLD PLATING OVER NICKEL.
- OPERATING LIFE : 250 CYCLES MIN.
- PCB RETENTION PRE-SOLDER : 1 LB MIN.
- PCB RETENTION POST-SOLDER: 10 LBS MIN.

ENVIRONMENTAL:

- STORAGE : -40°C TO +85°C.
- OPERATION: 0°C TO 70°C.

MATES WITH MODULAR PLUG CONFORMING TO FCC PART 68, SUBPART F.

CUL FILE NO. E163191

△PART NUMBER: E558X-20EXXX

NO. OF CONTACT:	1- 3u"	2- 6u"
2-2C	3-15u"	4-30u"
4-4C	5-50u"	6-Pd 20u"
6-6C	1- W/PANEL STOP	
8-8C	2- W/O PANEL STOP	
	5-A06-0080 BK.	
	D-A06-0180 CY.	

PC Board Layout Component Side Shown

DETACHED LISTS TOLERANCES EXCEPT AS NOTED .0 ± 0.2 .00 ± 0.18 .000 ± 0.075 ANGLES ± 0.5 THIRD ANGLE PROJECTION	DIM (INCH) DFTO: SYANG DATE 8/10/98 CHKD: DATE WFO: DATE APPVL: DATE	FULL RISE ELECTRONIC CO., LTD	
	TITLE	MINI L/P SIDE ENTRY PCB JACK 8P	
	QTY :	DRAWING NO. 5-0007-6 /PART NO. SEE NOTE	SIZE A3 REV 1
	FINISH :	SCALE : 1.5 : 1	DID NOT SCALE DRAWING SHEET OF