



FEP16JT, FEPF16JT, FEPB16JT Series

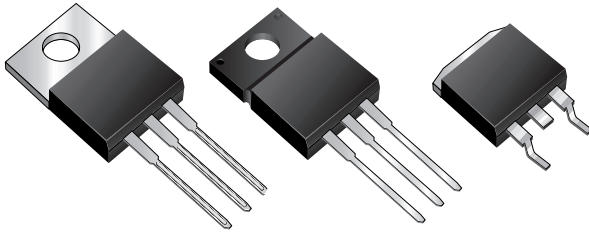
Vishay Semiconductors
formerly General Semiconductor

Dual Ultrafast Plastic Rectifier

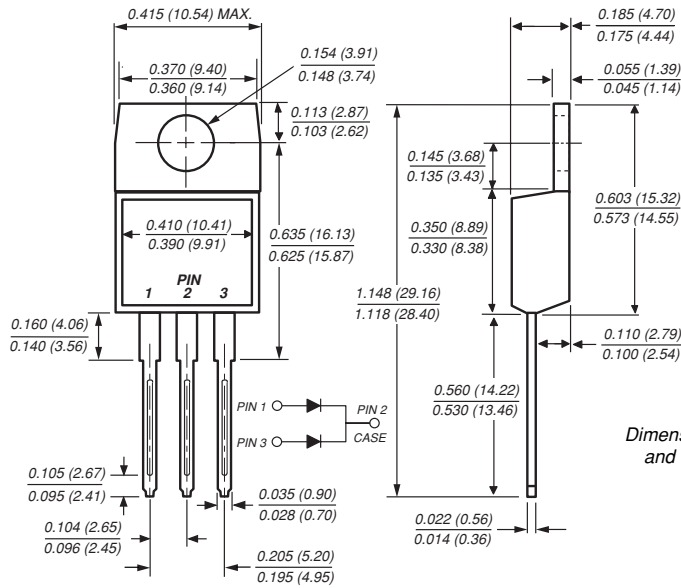
Reverse Voltage 50 to 600V

Forward Current 16A

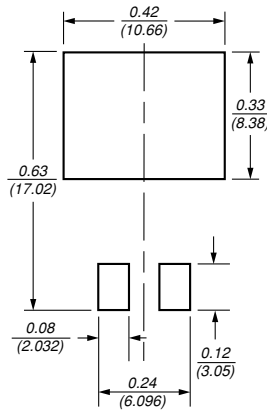
Reverse Recovery Time 35 to 50ns



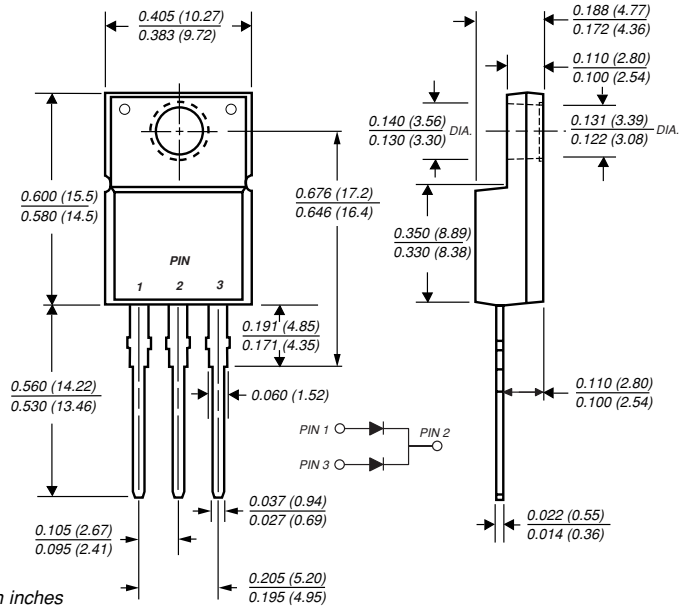
TO-220AB (FEP16JT Series)



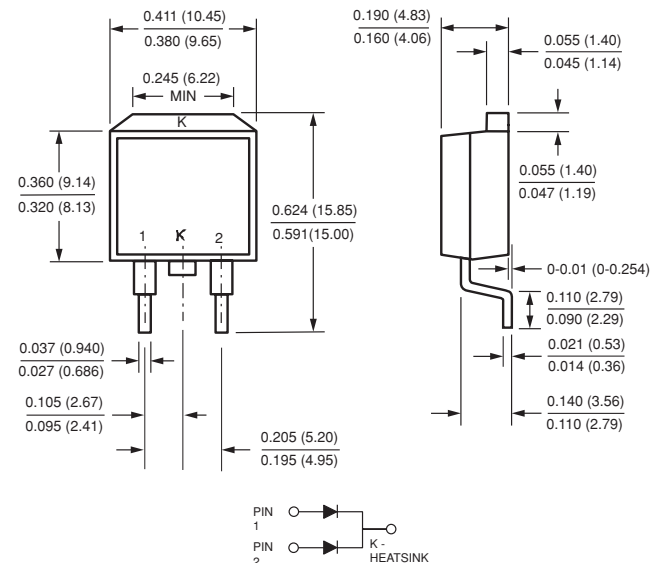
Mounting Pad Layout TO-263AB



ITO-220AB (FEPF16JT Series)



TO-263AB (FEPB16JT Series)



Features

- Plastic package has Underwriters Laboratory Flammability Classification 94V-0
- Dual rectifier construction, positive centertap
- Glass passivated chip junction
- Low power loss
- High surge current capability
- Low forward voltage, high current capability
- Superfast recovery times for high efficiency

Mechanical Data

Case: JEDEC TO-220AB, ITO-220AB & TO-263AB molded plastic body

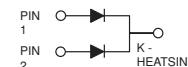
Terminals: Plated leads, solderable per MIL-STD-750, Method 2026

High temperature soldering guaranteed: 250°C/10 seconds at terminals

Polarity: As marked **Mounting Position:** Any

Mounting Torque: 10 in-lbs maximum

Weight: 0.08 oz., 2.24 g



FEP16JT, FEPF16JT, FEPB16JT Series



Vishay Semiconductors
formerly General Semiconductor

Maximum Ratings Ratings at 25°C ambient temperature unless otherwise specified.

Parameter	Symbol	FEP 16AT	FEP 16BT	FEP 16CT	FEP 16DT	FEP 16FT	FEP 16GT	FEP 16HT	FEP 16JT	Unit
Maximum repetitive peak reverse voltage	V _{RRM}	50	100	150	200	300	400	500	600	V
Maximum RMS voltage	V _{RMS}	35	70	105	140	210	280	350	420	V
Maximum DC blocking voltage	V _{DC}	50	100	150	200	300	400	500	600	V
Maximum average forward rectified current at T _C = 100°C	I _{F(AV)}	16								A
Peak forward surge current 8.3 ms single half sine-wave superimposed on rated load (JEDEC Method) at T _C = 100°C per leg	I _{FSM}	200				125				A
Operating storage and temperature range	T _J , T _{STG}	-55 to +150								°C
RMS Isolation voltage (FEPF) from terminals to heatsink with t = 1.0 second, RH ≤ 30%	V _{ISOL}	4500 ⁽¹⁾ 3500 ⁽²⁾ 1500 ⁽³⁾								V

Electrical Characteristics Ratings at 25°C ambient temperature unless otherwise specified.

Parameter	Symbol	FEP 16AT	FEP 16BT	FEP 16CT	FEP 16DT	FEP 16FT	FEP 16GT	FEP 16HT	FEP 16JT	Unit	
Maximum instantaneous forward voltage per leg at 8.0A	V _F	0.95			1.30		1.50			V	
Maximum DC reverse current per leg at rated DC blocking voltage T _C = 25°C T _C = 100°C	I _R	10 500									μA
Maximum reverse recovery time per leg at I _F = 0.5A, I _R = 1.0A, I _{rr} = 0.25A	t _{rr}	35				50				ns	
Typical junction capacitance per leg at 4V, 1MHz	C _J	85						60		pF	

Thermal Characteristics (T_C = 25°C unless otherwise noted)

Parameter	Symbol	FEP	FEPF	FEPB	Unit
Typical thermal resistance from junction to case per leg	R _{θJC}	2.2	3.1	2.2	°C/W

Notes:

- (1) Clip mounting (on case), where lead does not overlap heatsink with 0.110" offset
- (2) Clip mounting (on case), where leads do overlap heatsink
- (3) Screw mounting with 4-40 screw, where washer diameter is ≤ 4.9mm (0.19")
- (4) Pulse test: 300μs pulse width, 1% duty cycle

Ordering Information

Product	Case	Package Code	Package Option
FEP16AT - FEP16JT	TO-220AB	45	Anti-Static tube, 50/tube, 2K/carton
FEPF16AT - FEPF16JT	ITO-220AB	45	Anti-Static tube, 50/tube, 2K/carton
FEPB16AT - FEPB16JT	TO-263AB	31	13" reel, 800/reel, 4.8K/carton
		45	Anti-Static tube, 50/tube, 2K/carton
		81	Anti-Static 13" reel, 800/reel, 4.8K/carton



Ratings and Characteristic Curves ($T_A = 25^\circ\text{C}$ unless otherwise noted)

Fig. 1 – Forward Current Derating Curve

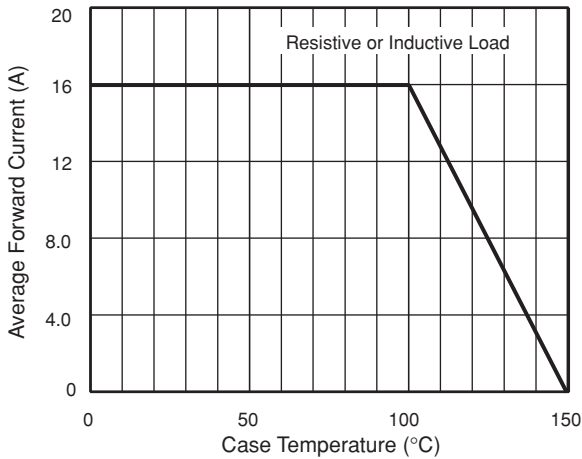


Fig. 2 – Maximum Non-Repetitive Peak Forward Surge Current

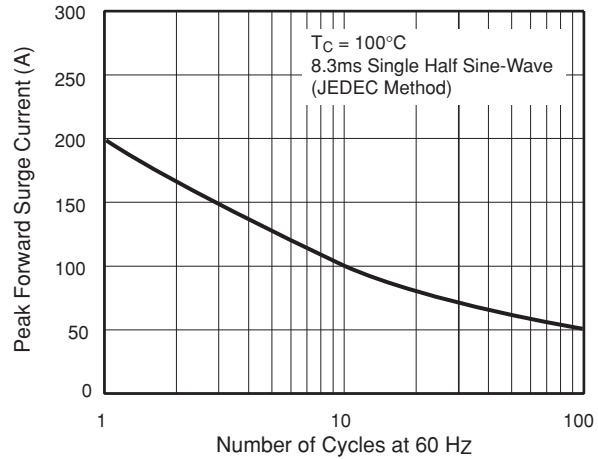


Fig. 3 – Typical Instantaneous Forward Characteristics Per Leg

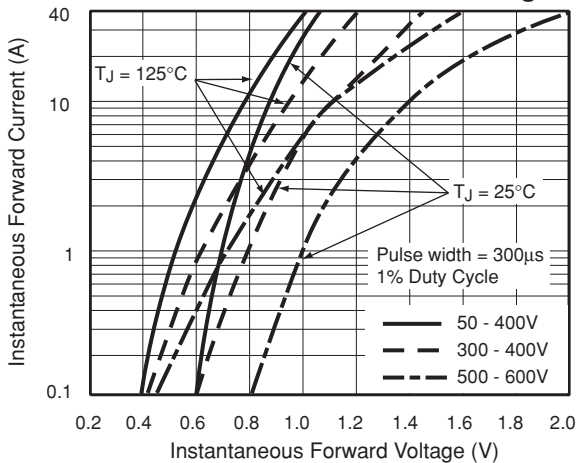


Fig. 4 – Typical Reverse Characteristics Per Leg

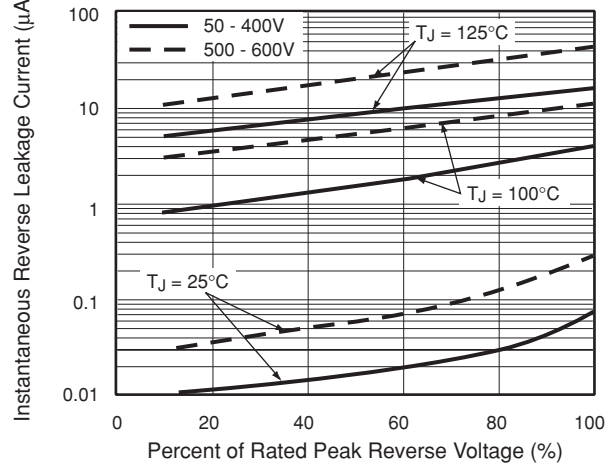
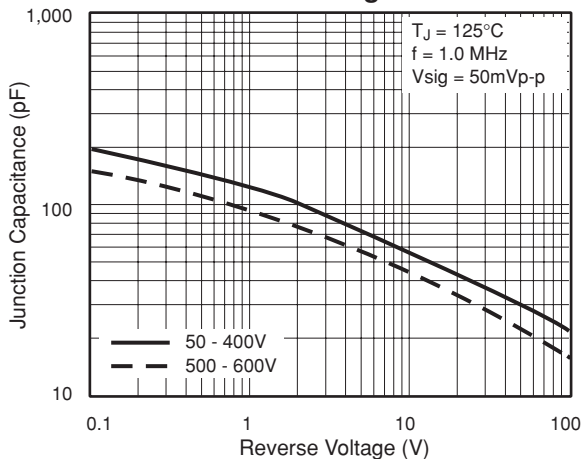


Fig. 5 – Typical Junction Capacitance Per Leg





Notice

Specifications of the products displayed herein are subject to change without notice. Vishay Intertechnology, Inc., or anyone on its behalf, assumes no responsibility or liability for any errors or inaccuracies.

Information contained herein is intended to provide a product description only. No license, express or implied, by estoppel or otherwise, to any intellectual property rights is granted by this document. Except as provided in Vishay's terms and conditions of sale for such products, Vishay assumes no liability whatsoever, and disclaims any express or implied warranty, relating to sale and/or use of Vishay products including liability or warranties relating to fitness for a particular purpose, merchantability, or infringement of any patent, copyright, or other intellectual property right.

The products shown herein are not designed for use in medical, life-saving, or life-sustaining applications. Customers using or selling these products for use in such applications do so at their own risk and agree to fully indemnify Vishay for any damages resulting from such improper use or sale.