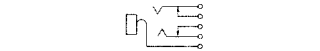
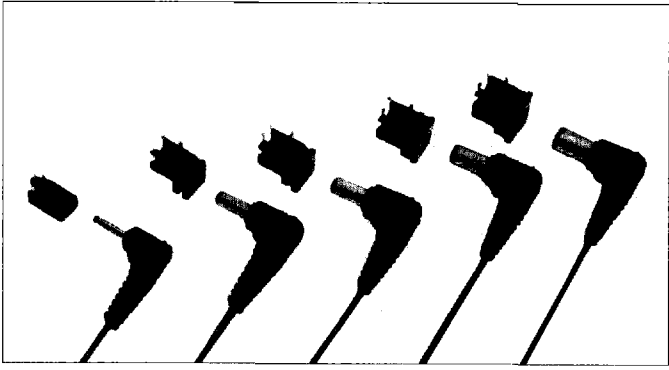
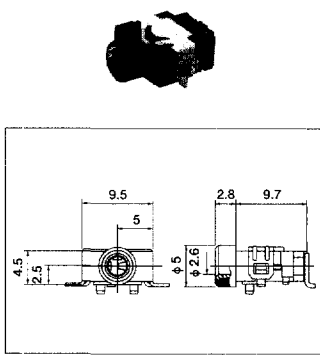
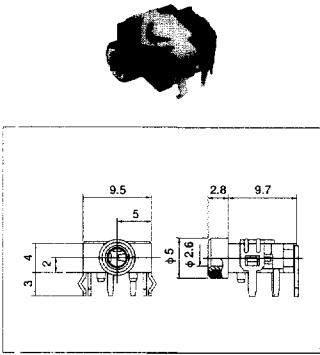


**LGK 2013-1200**

**LGK 2513-1101**

**DC POWER JACK/PLUG**

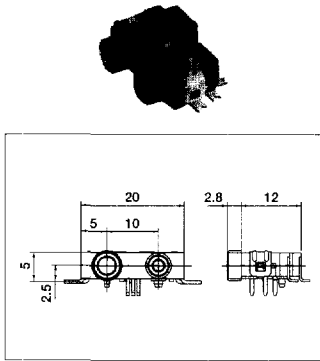
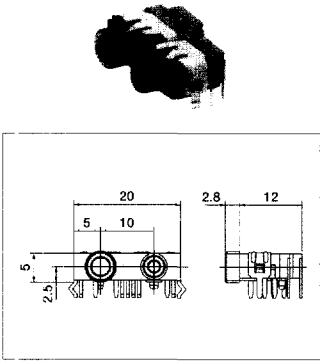


**特長**  
 ● EIAJ規格RC-5320Aに準拠してレパートリーをそろえ、用途に応じて使い分けができます。

**LGA 2519-3200**

**LGA 2519-3101**

**Specifications**  
 ● Contact Resistance: 30mΩ max.  
 ● Insulation Resistance: 100MΩ min. at 500V DC  
 ● Polarity: Polarity on outside of Plug is negative (-), center is positive (+).



**Products Variation**

Rating Voltage	Plug Harness	Drawing Number		
		Through Hole	Jack SMD	Lead Wiring
DC 3.15V max.	LLP1000-□□00	LGP2231-0100	---	---
		LGP6501-0100	---	---
DC 6.3V max.	LLP2000-□□00	LGP1331-0200	LGP3131-0110	---
		LGP6531-0600	---	---
DC 10.5V max.	LLP3000-□□00	LGP3331-0100	LGP3131-0200	---
		LGP1331-0100	---	---
DC 13.5V max.	LLP4000-□□00	LGP6531-0400	---	---
		LGP3831-0200	LGP3831-0100	LGP0038-0100
		LGP6531-0700	---	---
DC 18.0V max.	LLP5000-□□00	LGP7031-0100	---	---

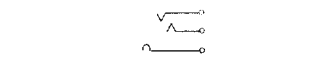
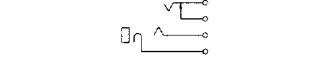
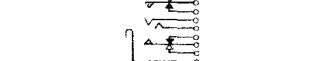
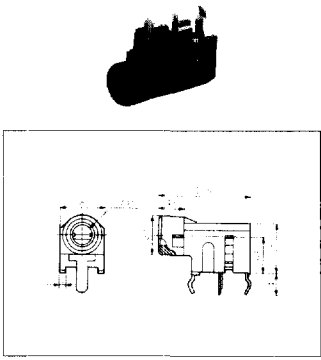
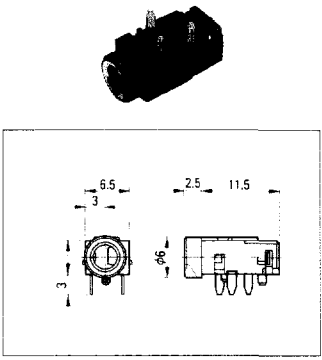
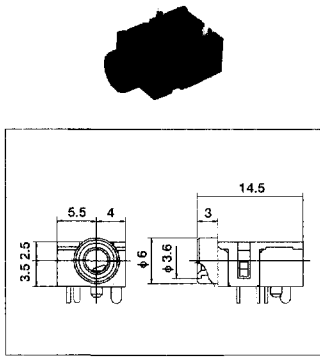
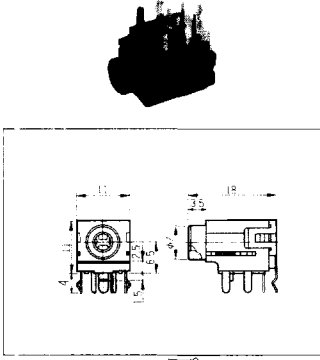


**LGS 6507-0800**

**LGY 3519-0100**

**LGY 2502-0200**

**LGY 6501/6502-0600**



**LGT 1516-0100**

**LGR 6507-0700**

**LGR 4609-7000**

**LGR 4517-0201**

