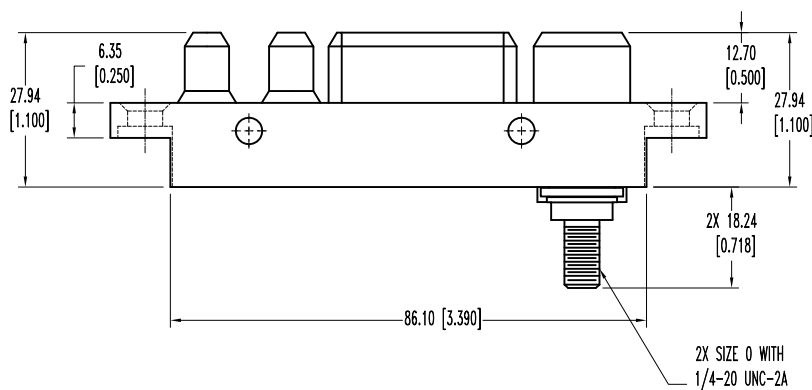
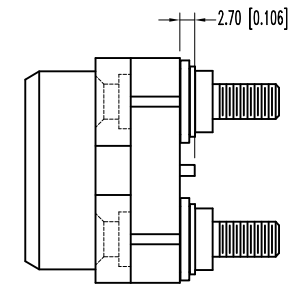
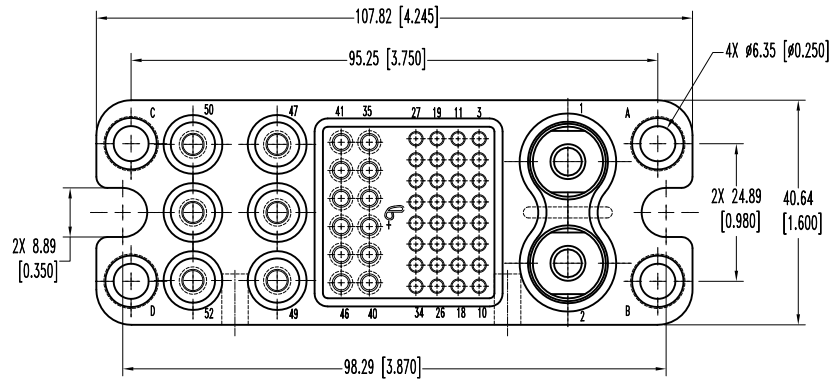


THIS DRAWING CONTAINS INFORMATION PROPRIETARY TO POSITRONIC AND ITS SUBSIDIARIES. POSITRONIC BELIEVES THE DATA ON THIS DRAWING TO BE RELIABLE. SINCE THE TECHNICAL INFORMATION IS GIVEN FREE OF CHARGE, THE USER EMPLOYS SUCH INFORMATION AT HIS OWN DISCRETION AND RISK. POSITRONIC ASSUMES NO RESPONSIBILITY FOR RESULTS OBTAINED OR DAMAGES INCURRED FROM USE OF SUCH INFORMATION IN WHOLE OR IN PART.


SK11800

DATE	REV	REVISION RECORD	APP	DR	CK
9-15-10	NC	ECO 32994	TK	MR	TK



NOTES:

- MATERIALS AND FINISHES:  
INSULATOR: GLASS-FILLED POLYESTER, UL 94V-0, COLOR: BLUE.  
CONTACTS: PRECISION MACHINED COPPER ALLOY WITH GOLD FLASH OVER NICKEL PLATE.
- DETAILED PRODUCT, MECHANICAL, AND ELECTRICAL INFORMATION IS AVAILABLE IN THE LATEST SUMO PRODUCT PUBLICATION. VISIT [CONNECTPOSITRONIC.COM/PRODUCTS/35/SUMO](http://CONNECTPOSITRONIC.COM/PRODUCTS/35/SUMO) OR [CONNECTPOSITRONIC.COM](http://CONNECTPOSITRONIC.COM).
- CONNECTORS ARE ROHS COMPLIANT PER ROHS DIRECTIVE 2002/95/EC OF 27 JAN 2003.
- DIMENSIONS ARE IN MILLIMETERS [INCHES].

 <b>POSITRONIC INDUSTRIES INC.</b> <a href="http://www.connectpositronic.com">www.connectpositronic.com</a>		FSCM 28198	
DECIMAL TOL. $\pm 0.38$ [0.015]	SCALE N.T.S.	DRAWN BY ME	APPROVED BY T. KEPLER
TITLE <b>SUM10F600A1/AA</b>			
ANGULAR TOL. $\pm 5^\circ$	DATE 9-15-10	DRAWING NUMBER SK11800	REV. NC