



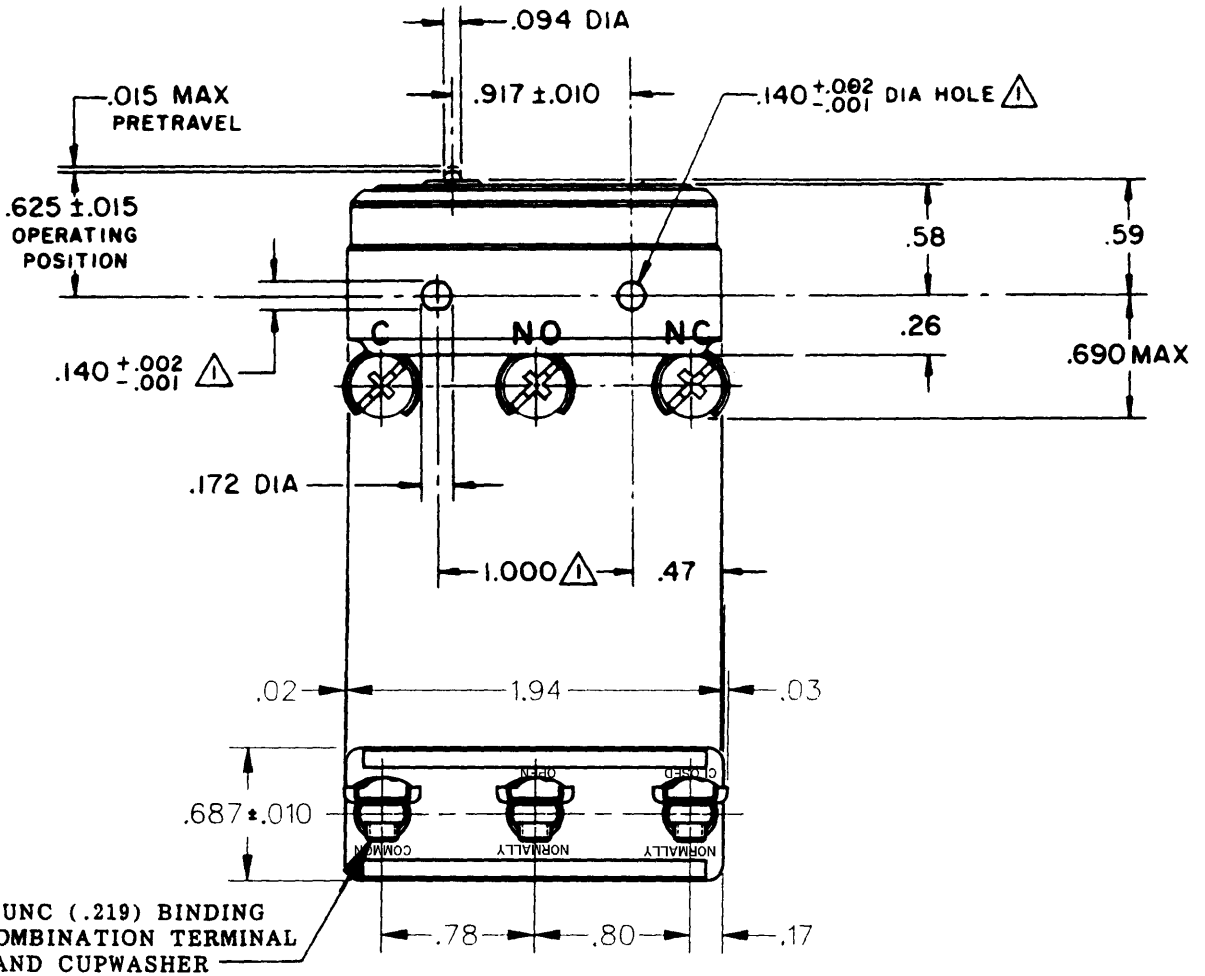
MICRO SWITCH
 FREEPORT ILLINOIS
 A DIVISION OF HONEYWELL
 FED. MFG. CODE 91999

SWITCH - BASIC

CATALOG LISTING
BZ - 2R - P4

JG05700

BZ - 2R - P4
 PAGE 1 OF 1
M
 DRAWING NUMBER
 ISSUE 10
 REVISIONS
 A COISSBI
 8 CH
 16 FEB 63
 B JAT
 73257-G
 20 OCT 93
 C CO-
 75367B
 K D R
 3 MAR 94
 D CO-
 77863
 6 JW
 2 MAY 96
 E CO93346
 DLT
 4 SEP 98
 F 0015138
 SPK
 29 AUG 05
 FORMTEK
 FO-80378
 DRAWN
 G C H 16 FEB 63
 CHECK
 DAW A, APR 63
 CHECK
 RJ 29 AUG 05
 CHECK
 RELEASE NO.
 REPLACES



3X 8-32 UNC (.219) BINDING HEAD COMBINATION TERMINAL SCREW AND CUPWASHER

NOTE
 ▲ MOUNTING HOLES WILL ACCEPT PINS OR SCREWS OF .139 MAX DIA ON 1.000 ± .002 CENTERS

THIS DRAWING COVERS A PROPRIETARY ITEM AND IS THE PROPERTY OF MICRO SWITCH, A DIVISION OF MINNEAPOLIS-HONEYWELL REGULATOR CO. THIS DRAWING IS NOT TO BE COPIED OR USED WITHOUT THE APPROVAL OF MICRO SWITCH.

CHARACTERISTICS		ELECTRICAL DATA		SCALE FULL
OPERATING FORCE -----	9-13 OZ	CONTACT ARRANGEMENT	S P D T	DO NOT SCALE PRINT
RELEASE FORCE -----	4 OZ MIN	-L96- 15 A-125, 250, OR 480 VAC 1/2 A-125 VDC; 1/4 A-250 VDC 1/8 HP-125 VAC; 1/4 HP-250 VAC -L288- -L306- -L315-	EN 05 EC T85 5E4	UNLESS OTHERWISE SPECIFIED DIMENSIONS ARE IN INCHES TOLERANCES ARE: ONE PLACE (.9) ± .030 TWO PLACE (.00) ± .018 THREE PLACE (.000) ± .008 ANGLES ±
DIFFERENTIAL TRAVEL ----	.0004 - .0020			
OVERTRAVEL -----	.005 MIN			
				WEIGHT .074 LB