





SMT Common Mode Chokes

1.22A to 14.0 A



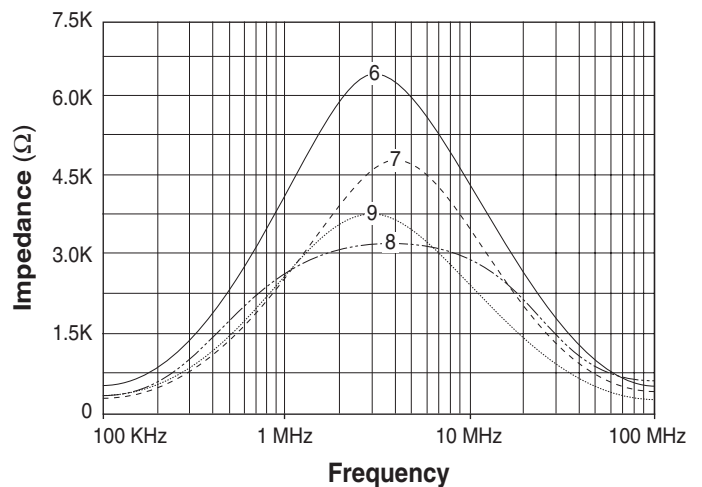
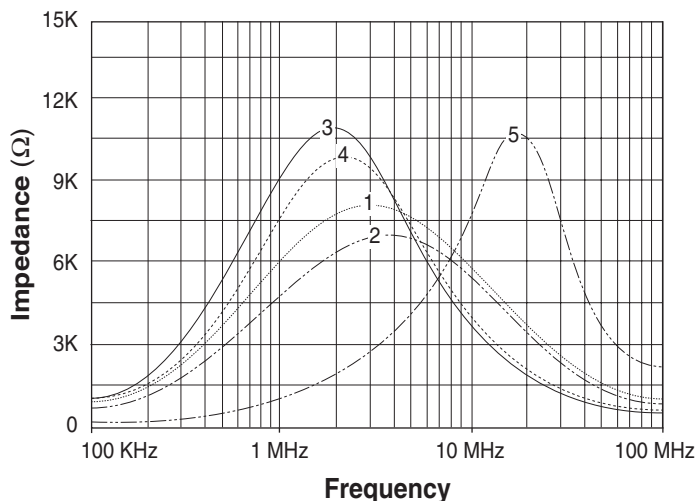
-  Solutions based on impedance, size and current
-  Designed for DC/DC converters
-  Wide variety of inductor sizes and current ratings available
-  Dielectric strength: 1000V_{RMS}

Electrical Specifications @ 25°C - Operating Temperature -40°C to +120°C³

| Part Number | Inductance (mH ±35%) | I _{rated} (A) | DCR (MAX) (mΩ) | Curve (see # below) | Package | Weight (Grams) | Quantity In Tube | Quantity In Reel |
|-------------|----------------------|------------------------|----------------|---------------------|----------|----------------|------------------|------------------|
| P0502NL | 0.47 | 14.0 | 8 | 9 | Big Foot | 14.8 | 15 | 75 |
| P0469NL | 0.63 | 11.6 | 10 | 7 | Big Foot | 14.3 | 20 | 75 |
| P0429NL | 0.81 | 9.70 | 14 | 6 | Big Foot | 13.5 | 20 | 75 |
| P0527NL | 0.53 | 7.20 | 15 | 8 | HCCI-68 | 7.7 | 15 | 100 |
| P0353NL | 0.59 | 5.60 | 21 | 7 | LCCI-50 | 5.2 | 30 | 200 |
| P0422NL | 0.77 | 4.70 | 40 | 6 | LCCI-50 | 4.9 | 30 | 200 |
| P0421NL | 0.22 | 3.30 | 60 | 5 | LCCI-50 | 4.7 | 30 | 200 |
| P0420NL | 1.32 | 3.30 | 60 | 4 | LCCI-50 | 4.6 | 30 | 200 |
| P0351NL | 1.47 | 2.80 | 80 | 3 | LCCI-50 | 4.3 | 30 | 200 |
| P0473NL | 0.88 | 1.63 | 110 | 2 | Polecat | 1.5 | 35 | 500 |
| P0354NL | 1.17 | 1.22 | 200 | 1 | Polecat | 1.4 | 35 | 500 |

- Notes:**
- Optional Tape & Reel packaging can be ordered by adding a "T" suffix to the part number (i.e. P0502 becomes P0502T). Pulse complies to industry standard tape and reel specification EIA481.
 - The "NL" suffix indicates an RoHS-compliant part number. Non-NL suffixed parts are not necessarily RoHS compliant, but are electrically and mechanically equivalent to NL versions. If a part number does not have the "NL" suffix, but an RoHS compliant version is required, please contact Pulse for availability.
 - The temperature of the component (ambient plus temperature rise) must be within the stated operating temperature range.

Impedance Curves



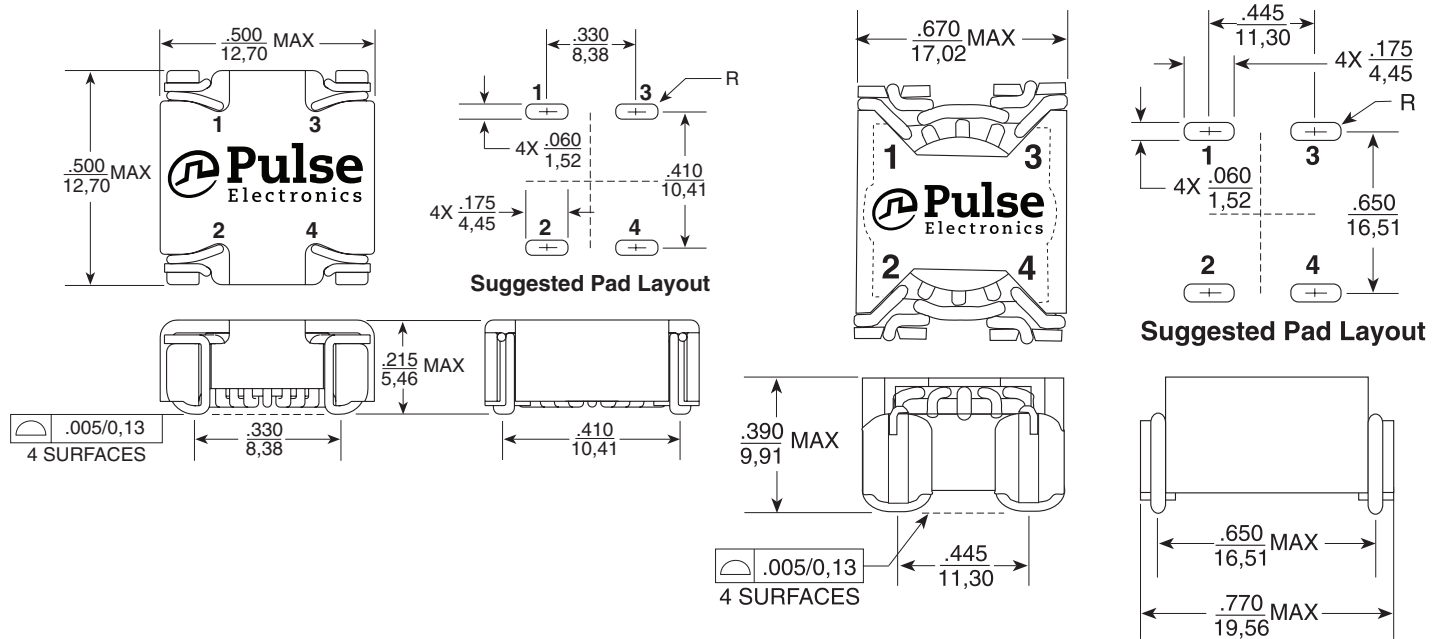
SMT Common Mode Chokes

1.22A to 14.0 A

Mechanicals

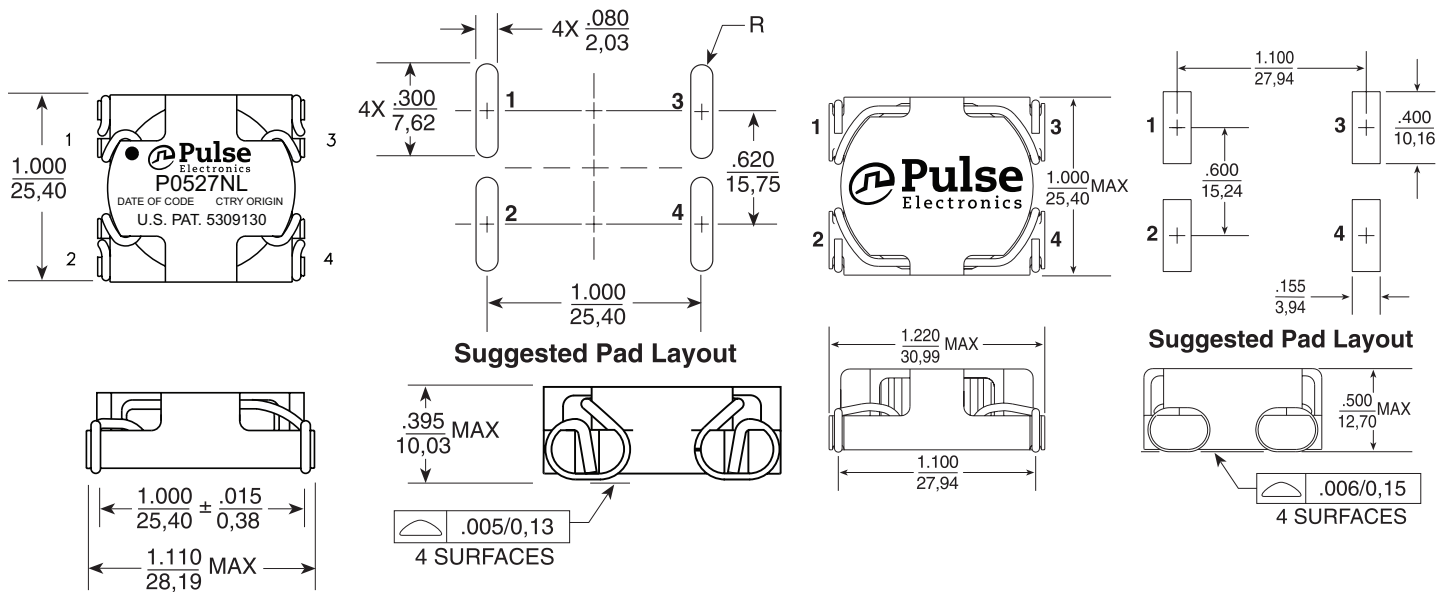
Polecat

LCCI-50

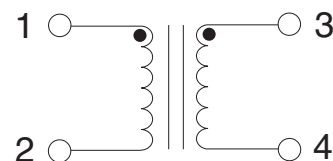


HCCI-68

Big Foot



Schematic



Dimensions: $\frac{\text{Inches}}{\text{mm}}$

Unless otherwise specified, all tolerances are $\pm \frac{.005}{0,13}$