



75 Ohm SMB Jack Bulkhead Connector Crimp/Solder Attachment For RG179, RG187, .285 inch D Hole

TECHNICAL DATA SHEET

PE4255

**75 Ohm SMB Jack Bulkhead Connector Crimp/Solder Attachment For RG179, RG187, .285 inch D Hole**

**Configuration**

Connector	SMB Jack
Connector Specification	MIL-C-39012
Connector Interface Type	RG179, RG187
Cable Attachment Method (Shield/Contact)	Crimp/Solder
Body Style	Straight
Mount Method	Bulkhead

**Electrical Specifications**

Frequency Range, GHz	DC to 2
Impedance, Ohms	75
Maximum Operating Voltage, Volts	335
Dielectric Withstanding Voltage, Vrms	750

**Mechanical Specifications**

**Temperature**

Operating Range, deg C	-65 to +165
------------------------	-------------

**Size**

Length, in [mm]	0.958 [24.33]
Width/Dia., in [mm]	0.375 [9.53]
Weight, lbs [g]	0.013 [5.9]

**Connector**

Type	SMB Jack
Contact Material and Plating	Gold
Contact Plating Specification	MIL-G-45204
Body Material and Plating	Brass, Nickel
Dielectric Type	Teflon

**Compliance Certifications** (visit [www.Pasternack.com](http://www.Pasternack.com) for current document)

RoHS Compliant	Yes
----------------	-----

Click the following link (or enter part number in "SEARCH" on website) to obtain additional part information including price, inventory and certifications: [75 Ohm SMB Jack Bulkhead Connector Crimp/Solder Attachment For RG179, RG187, .285 inch D Hole PE4255](#)

The information contained in this document is accurate to the best of our knowledge and representative of the part described herein. It may be necessary to make modifications to the part and/or the documentation of the part, in order to implement improvements. Pasternack reserves the right to make such changes as required. Unless otherwise stated, all specifications are nominal.





75 Ohm SMB Jack Bulkhead Connector Crimp/Solder  
Attachment For RG179, RG187, .285 inch D Hole

TECHNICAL DATA SHEET

PE4255

**Plotted and Other Data**

Notes:

Values at 25 °C, sea level

75 Ohm SMB Jack Bulkhead Connector Crimp/Solder Attachment For RG179, RG187, .285 inch D Hole from Pasternack Enterprises has same day shipment for domestic and International orders. Our RF, microwave and fiber optic products maintain a 99% availability and are part of the broadest selection in the industry.

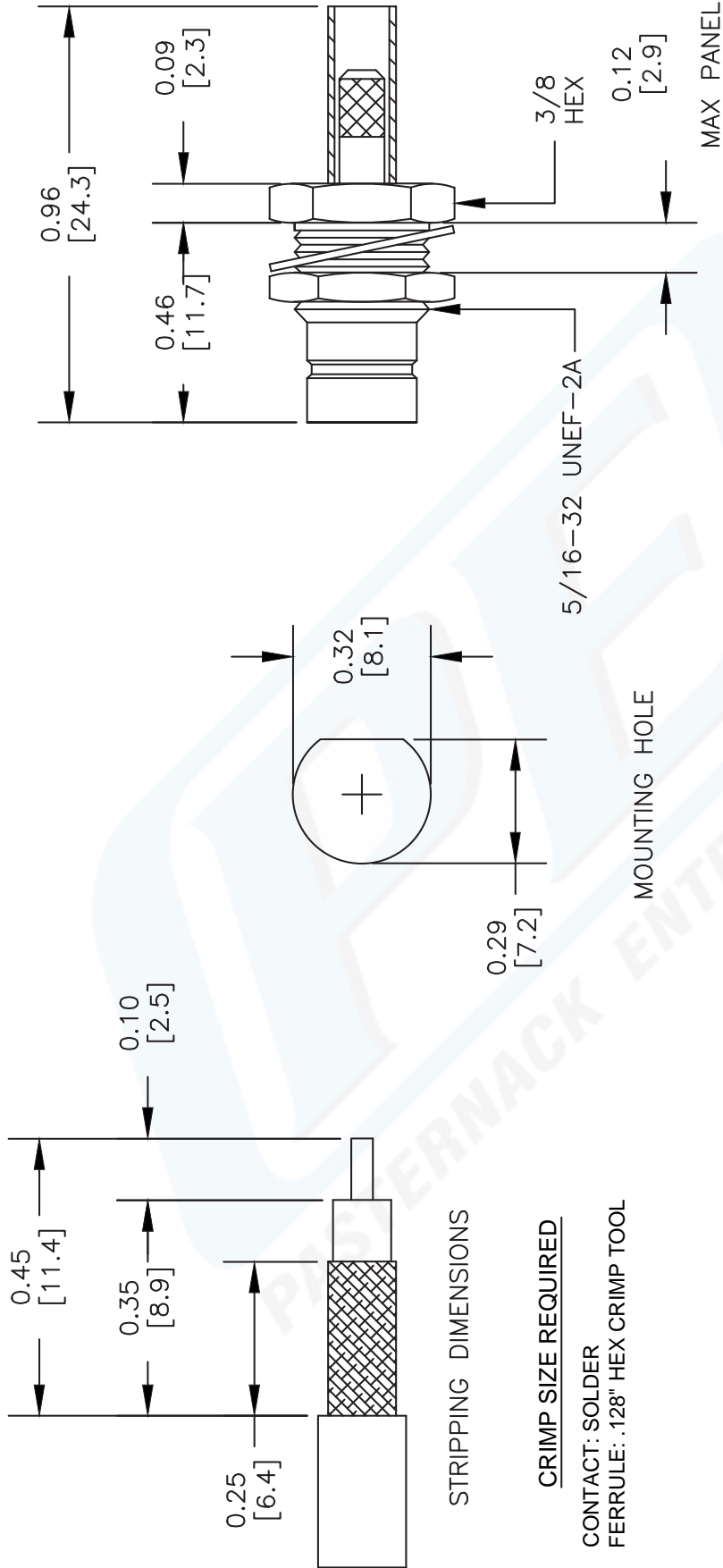
Click the following link (or enter part number in "SEARCH" on website) to obtain additional part information including price, inventory and certifications: [75 Ohm SMB Jack Bulkhead Connector Crimp/Solder Attachment For RG179, RG187, .285 inch D Hole PE4255](http://www.pasternack.com/smb-jack-standard-rg179-rg187-connector-pe4255-p.aspx)

URL: <http://www.pasternack.com/smb-jack-standard-rg179-rg187-connector-pe4255-p.aspx>

The information contained in this document is accurate to the best of our knowledge and representative of the part described herein. It may be necessary to make modifications to the part and/or the documentation of the part, in order to implement improvements. Pasternack reserves the right to make such changes as required. Unless otherwise stated, all specifications are nominal.

# PE4255 CAD Drawing

75 Ohm SMB Jack Bulkhead Connector Crimp/Solder  
Attachment For RG179, RG187, .285 inch D Hole



STRIPPING DIMENSIONS

CRIMP SIZE REQUIRED

CONTACT: SOLDER  
FERRULE: .128" HEX CRIMP TOOL

NOTES:  
1. UNLESS OTHERWISE SPECIFIED ALL DIMENSIONS ARE NOMINAL.  
2. ALL SPECIFICATIONS ARE SUBJECT TO CHANGE WITHOUT NOTICE AT ANY TIME.  
3. DIMENSIONS ARE IN INCHES [mm].  
4. FITS MIL-C-17 AND EQUIVALENT CABLES.

DWG TITLE  
**PE4255**

**PE PASTERNAK®**  
Pasternack Enterprises, Inc.  
P.O. Box 16759 | Irvine | CA | 92623  
Phone: (949) 261-1920 | Fax: (949) 261-7451  
Website: www.pasternack.com | E-Mail: sales@pasternack.com

REV. -	FSCM NO. 53919	CAD FILE 042309	SCALE N/A	SIZE A	147
--------	----------------	-----------------	-----------	--------	-----