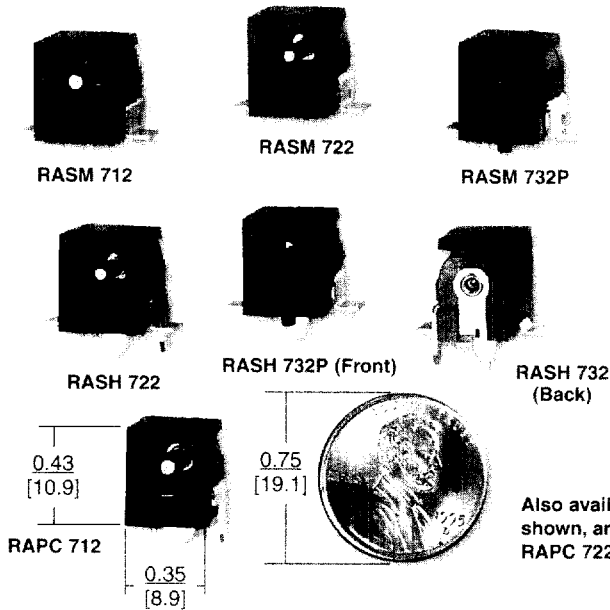


SWITCHCRAFT, INC. 5555 N. Elston Ave. • Chicago, IL 60630 • 773 792-2700 • FAX: 773 792-2129 • www.switchcraft.com

## RIGHT-ANGLE MINIATURE POWER JACKS



Also available, but not shown, are the RASH 712, RAPC 722 and RAPC 732.

### JACK PIN TOLERANCES

RAPC712	
RASH712	.096 - .0985
RASM712	
RAPC722	
RASH722	.074 - .0765
RASM722	
RAPC732	
RASH732	.047 - .0495
RASM732	

### FEATURES AND BENEFITS

- 2-conductor jack.
- Right-angle power jack for PC mounting.
- Three center conductor pin diameters: .100", .080", and .050".
- Three termination styles, through hole, surface mount and hybrid (combination through hole and surface mount) which allows use of universal PC board.
- Heat resistant materials for high temperature soldering.
- Flat top aids automatic placement on PC boards.
- Sleeve/shunt spring functions as a built-in switch (eg. permits automatic switchover from AC to DC when plug is inserted or withdrawn).
- Also available with optional post which secures the jack to the PC board during insertion and withdrawal.

### APPLICATIONS

- DC-powered hand held instrumentation
- Portable computers
- Cellular/portable phones
- Battery chargers
- External low voltage power supplies for instrumentation and more.

### SPECIFICATIONS

#### MATERIALS

**Housing:** High grade thermoplastic UL 94V-0

**Center Pin:** Copper alloy, nickel-plated

Part Number	Materials	
	Terminals	Spring
RAPC712 RAPC722 RAPC732	Brass, silver-plated	Copper alloy, silver-plated
RASM712 RASM722 RASM732 RASH712 RASH722 RASH732	Brass, solder-plated	Copper alloy, solder-plated

### MECHANICAL

**Life:** 5,000 cycles minimum

**Insertion Force:** 5 lb. maximum

**Withdrawal Force:** 0.5 lb. minimum

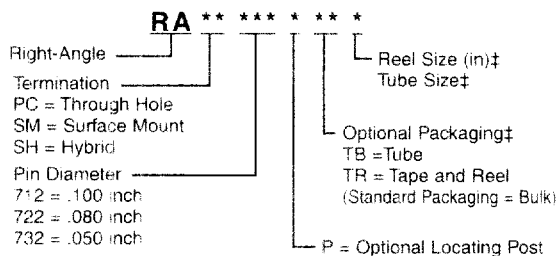
### ELECTRICAL

**Contact Resistance:** 30 milliohms maximum

**Insulation Resistance:** 30 megohms @ 100V DC

**Dielectric Withstanding Voltage:** 250V AC for 1 minute

**Current (carrying):** 5 A



Right-Angle Power Jacks	Pin Size	Typical Mating Plug
RAPC712 RASH712 RASM712	.100"	760 Black Handle 765 Red Handle ‡ ST765 or RA765 for molded cables
RAPC722 RASH722 RASM722	.080"	S760 Black Handle S765 Red Handle ‡ ST760 or RA760 for molded cables
RAPC732 RASH732 RASM732	.050"	860 Black handle 865 Red Handle

‡ Special order only, contact Switchcraft.

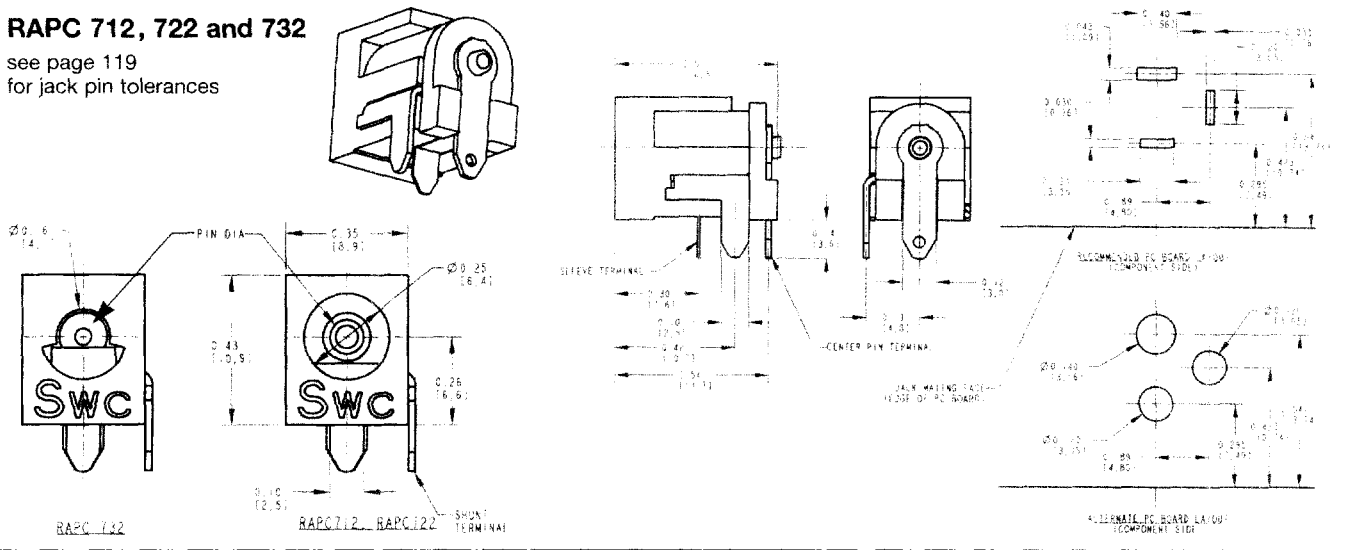
‡ Contact Factory

DIMENSIONS ARE FOR REFERENCE ONLY  $\frac{\text{Inch}}{(\text{mm})}$

NOTE: Contact your Switchcraft Representative for price and delivery.

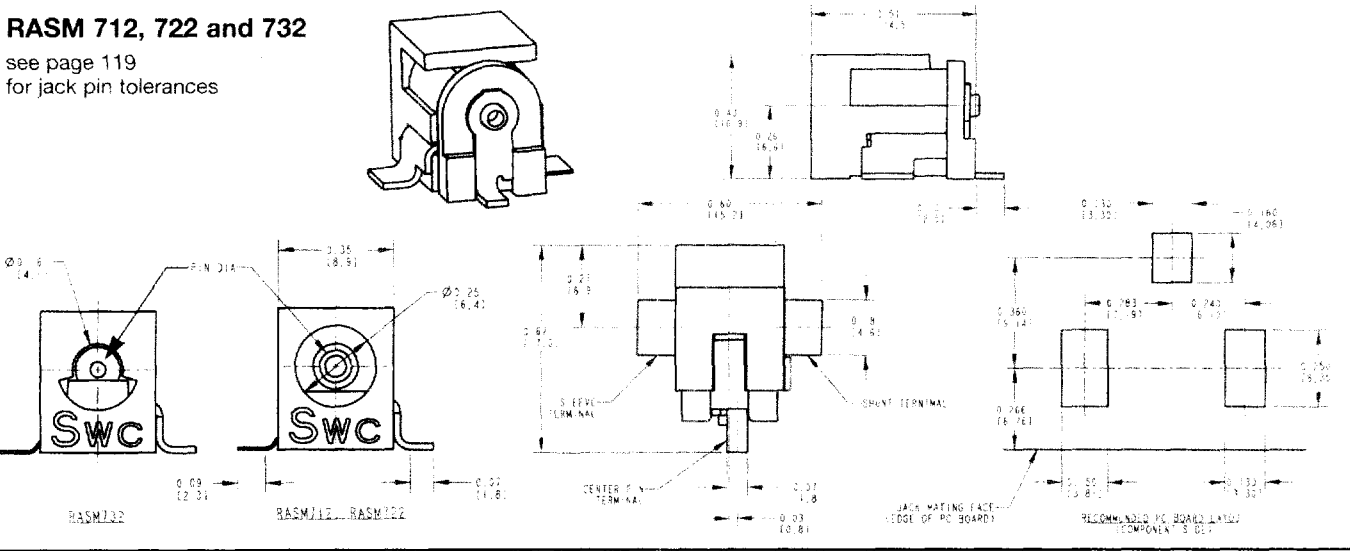
### RAPC 712, 722 and 732

see page 119  
for jack pin tolerances



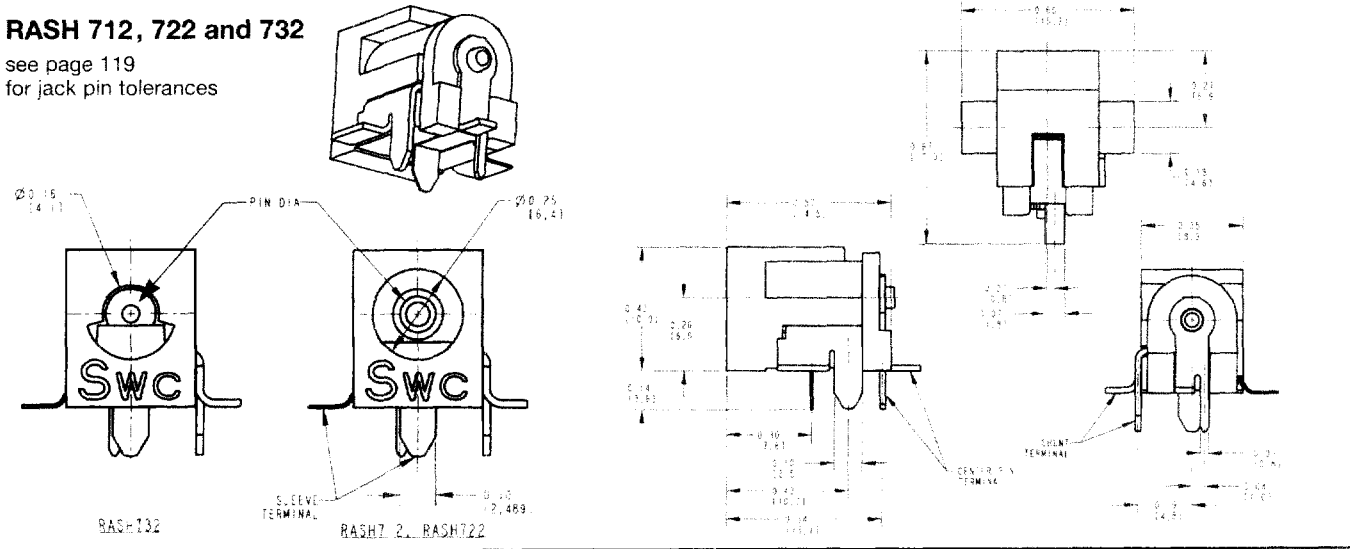
### RASM 712, 722 and 732

see page 119  
for jack pin tolerances



### RASH 712, 722 and 732

see page 119  
for jack pin tolerances



DIMENSIONS ARE FOR REFERENCE ONLY  $\frac{\text{Inch}}{(\text{mm})}$

NOTE: Contact your Switchcraft Representative for price and delivery.