

Phase Control Thyristors, 40A (Stud and Lead Type)

Features

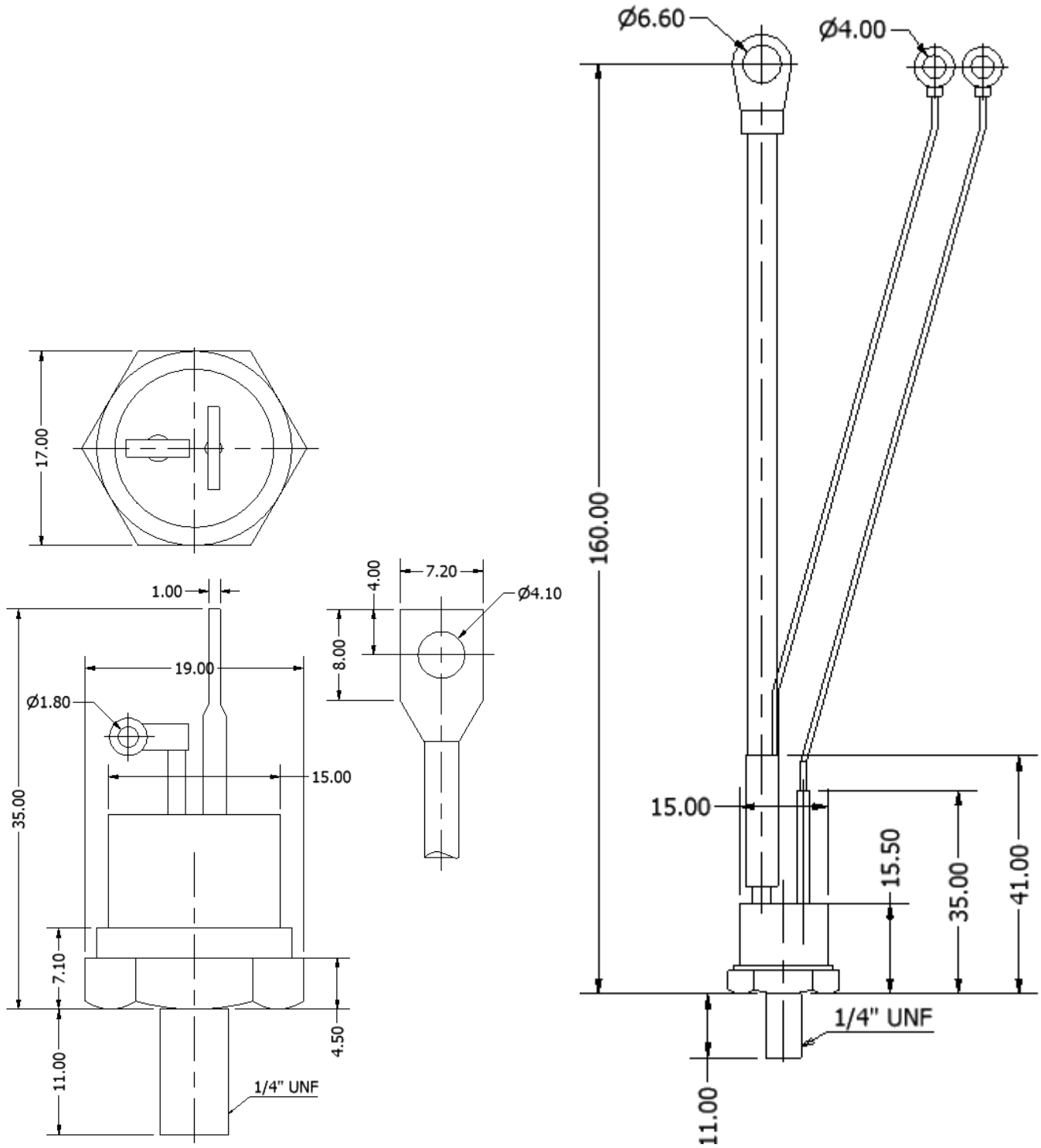
- Improved glass passivation for high reliability
- Exceptional stability at high temperatures
- High di/dt and dv/dt capabilities
- Metric thread type available
- Low thermal resistance

Electrical Ratings ($T_J = 25^\circ\text{C}$, unless otherwise noted)				
Parameters	Symbol	Values	Units	
Maximum on-state average current 180° sinusoidal conduction @ $T_J = 85^\circ\text{C}$	$I_{T(AV)}$	40	A	
Maximum RMS on-state current	$I_{T(RMS)}$	63	A	
Maximum peak, one cycle non-repetitive surge current	I_{TSM}	600	A	
Maximum I^2t for fusing	I^2t	800	A^2s	
Maximum repetitive peak on and off-state voltage range	V_{RRM}, V_{DRM}	200 to 1600	V	
Maximum peak on-state voltage ($T_J = 25^\circ\text{C}$, $I_{peak} = 79\text{A}$)	V_{TM}	1.2	V	
Maximum holding current @ T_J	I_H	150	mA	
Maximum latching current @ T_J	I_L	400	mA	
Maximum rate of rise of turn-on current, $V_{DRM} \leq 600\text{V}$	di/dt	200	$\text{A}/\mu\text{s}$	
Critical rate of rise of off-state voltage	dv/dt	$T_J = T_J$ maximum, 100% V_{DRM}	100	$\text{V}/\mu\text{s}$
		$T_J = T_J$ maximum, 67% V_{DRM}	300	
Maximum gate current required to trigger	anode supply 6 V resistive load @ T_J	I_{GT}	60	mA
Maximum gate voltage required to trigger		V_{GT}	2.0	V



TO-208AC (TO-65) & TO-209AC (TO-94)

Thermal and Mechanical Specifications ($T_J = 25^\circ\text{C}$, unless otherwise noted)			
Parameters	Symbol	Values	Units
Maximum operating junction temperature range	T_J	- 60 to +125	$^\circ\text{C}$
Maximum storage temperature range	T_{Stg}	- 60 to +125	$^\circ\text{C}$
Maximum thermal resistance, junction to case	$R_{th(jc)}$	0.9	$^\circ\text{C}/\text{W}$
Mounting torque		0.2(min) to 0.3(max)	mkg
Approximate weight		14	g



ALL DIMENSIONS IN MM