

M5100 Heavy Industrial Pressure Transducer



- CE Compliance
- Wide Temperature Range
- Compact
- Variety of Pressure Ports and Electrical Configurations

DESCRIPTION

The M5100 series pressure transducers from the Microfused™ line of MEAS, set a new price performance standard for demanding commercial and heavy industrial applications. This series is suitable for measurement of liquid or gas pressure, even for difficult media such as contaminated water, steam, and mildly corrosive fluids.

The transducer pressure cavity is machined from a solid piece of 17-4 PH stainless steel. The standard version includes a 1/4 NPT pipe thread allowing a leak-proof, all metal sealed system. There are no O-rings, welds or organics exposed to the pressure media. The durability is excellent. The M5100 exceeds the latest heavy industrial CE requirements including surge protection, and is over voltage protected to 16Vdc in both positive and reverse polarity.

This product is geared to the OEM customer who uses medium to high volumes. The standard version is suitable for many applications, but the dedicated design team at our Transducer Engineering Center stands ready to provide a semi-custom design where the volume and application warrants.

FEATURES

- Heavy Industrial CE Approval
- 100 V/m EMI Protection
- Reverse Polarity Protection
- Extended Temperature Range
- 1% Total Error Band
- Compact Outline
- -40°C to +125°C Operating Temperature Range

APPLICATIONS

- Advanced HVAC Systems
- Refrigeration Systems
- Automotive Test Stands
- Industrial Process Control
- Pumps and Compressors
- Hydraulic/Pneumatic Systems
- Agriculture Equipment
- Energy Generation and Management



M5100 Heavy Industrial Pressure Transducer

STANDARD RANGES

Range	psig	Range	Barg
0 to 50	•	0 to 3.5	•
0 to 100	•	0 to 7	•
0 to 200	•	0 to 14	•
0 to 300	•	0 to 20	•
0 to 500	•	0 to 35	•
0 to 1k	•	0 to 70	•
0 to 3k	•	0 to 200	•
0 to 5k	•	0 to 350	•
0 to 10k	•	0 to 700	•

DIN Range	Barg
0 to 4	•
0 to 6	•
0 to 10	•
0 to 16	•
0 to 25	•
0 to 40	•
0 to 60	•
0 to 100	•
0 to 160	•
0 to 250	•
0 to 400	•
0 to 600	•
0 to 1000	•

*Intermediate ranges available upon request.

M5100 Heavy Industrial Pressure Transducer

PERFORMANCE SPECIFICATIONS

Ambient Temperature: 25°C (unless otherwise specified)

PARAMETERS	MIN	TYP	MAX	UNITS	NOTES
Accuracy (combined non linearity, hysteresis, and repeatability)	-0.25		0.25	%F.S.	1
Isolation, Body to any Lead	1			MΩ @ 25Vdc	
Pressure Cycles (Zero to Full Scale)	1.00E+7			FS Cycles	
Proof Pressure	2X			Rated	
Burst Pressure	5X			Rated	
Long Term Stability (1 year)	-0.25		0.25	%Span	
Total Error Band	-1.0		1.0	%F.S.	2
Compensated Temperature	-20		+85	°C	
Operating Temperature	-40		+125	°C	3
Storage Temperature	-40		+125	°C	3
Load Resistance (R _L)	R _L > 100k			Ω	4
Bandwidth	DC to 1KHz (Typical)				
Vibration (20 to 200Hz)	50g, 11msec Half Sine Shock per MIL-STD-202F, Method 213B, Condition A				
Shock (11ms)	±20g, MIL-STD-810C, Procedure 514.2, Fig 514.2-2, Curve L				

For custom configurations, consult factory.

Notes

- Best fit straight line at 25°C.
- TEB includes all accuracy errors, thermal errors, span and zero tolerances.
- Cable 105°C max.
- Voltage output.

CE Compliance

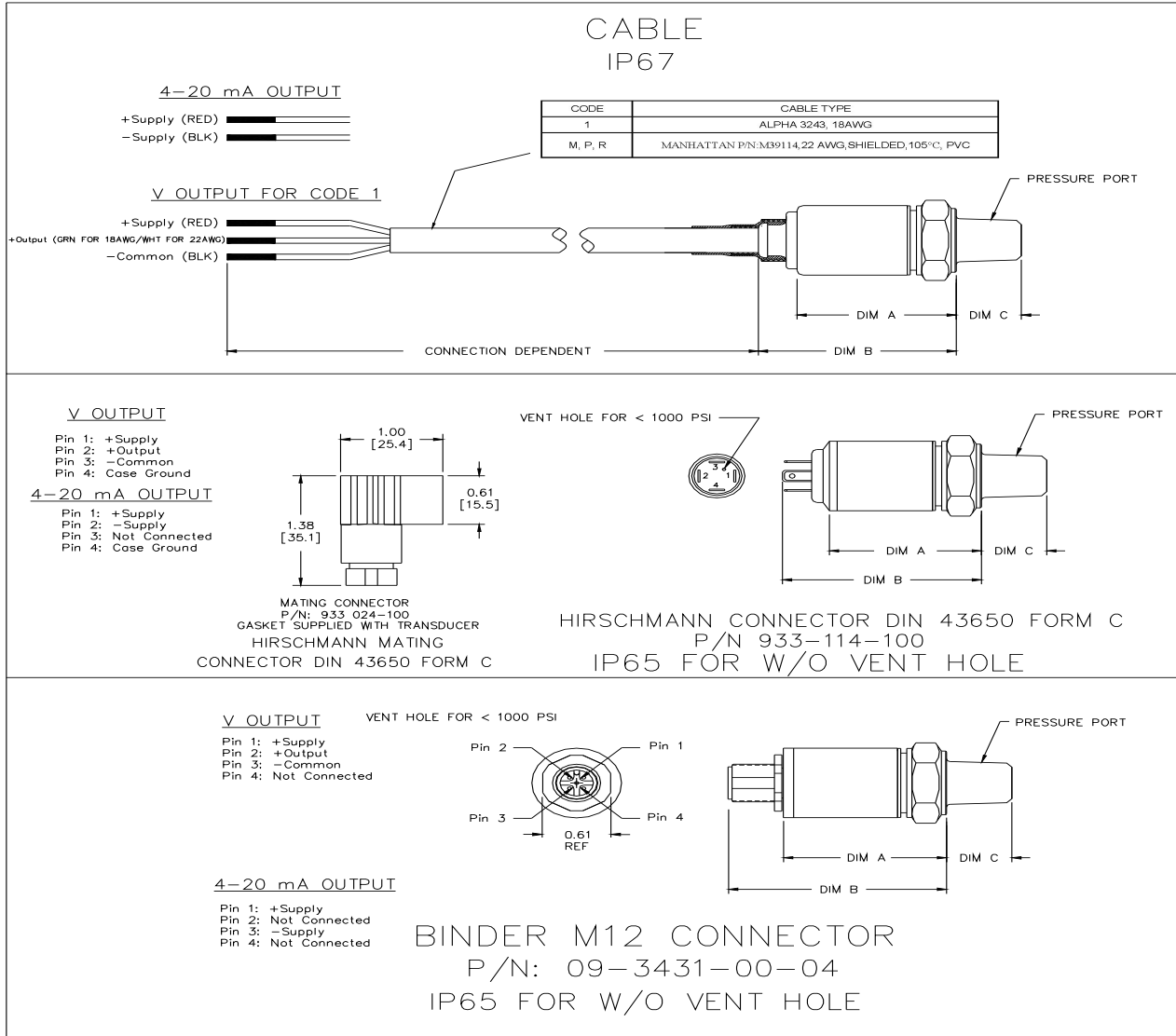
- IEC 55022 Emissions Class A & B
- IEC 61000-4-2 Electrostatic Discharge Immunity (6kV contact/8kV air)
- IEC 61000-4-3 Electromagnetic Field Immunity (30V/m)
- IEC 61000-4-4 Electrical Fast Transient Immunity (1kV)
- IEC 61000-4-5 Surge Immunity (1kV)
- IEC 61000-4-6 Conducted RF Immunity (10V)
- IEC 61000-4-9 Magnetic Field Immunity (100A/m)

CODE	CONNECTION		<1000 PSI	
			<070 BAR	≥1000 PSI
1	CABLE 2 FEET ALPHA#3243,18AWG	DIM A	1.71 [43.5]	1.92 [48.6]
		DIM B	2.71 [68.9]	2.37 [60.2]
4	PACKARD CONNECTOR	DIM A	1.71 [43.5]	1.92 [48.6]
		DIM B	2.52 [63.9]	2.72 [69.0]
5	BENDIX PTIH-10-6P CONNECTOR	DIM A	1.74 [44.2]	1.93 [49.0]
		DIM B	2.17 [55.0]	2.36 [59.8]
6	HIRSCHMANN CONNECTOR DIN 43650 FORM C	DIM A	1.67 [42.3]	1.86 [47.1]
		DIM B	2.12 [53.8]	2.31 [58.6]
7	HIRSCHMANN CONNECTOR DIN 43650 FORM A	DIM A	1.81 [45.9]	2.01 [51.0]
		DIM B	2.32 [59.0]	2.52 [64.1]
D	BINDER M12 09-3431-00-04 CONNECTOR	DIM A	1.88 [47.8]	1.88 [47.8]
		DIM B	2.41 [61.2]	2.41 [61.2]
M	CABLE 1 METER MANHATTAN#M39114,22AWG	DIM A	1.71 [43.5]	1.92 [48.6]
		DIM B	2.71 [68.9]	2.37 [60.2]
P	CABLE 5 METER MANHATTAN#M39114,22AWG	DIM A	1.71 [43.5]	1.92 [48.6]
		DIM B	2.71 [68.9]	2.37 [60.2]
R	CABLE 10 METER MANHATTAN#M39114,22AWG	DIM A	1.71 [43.5]	1.92 [48.6]
		DIM B	2.71 [68.9]	2.37 [60.2]

PRESSURE PORT		
CODE	PORT	DIM C
2	1/4-19 BSPP	0.47 [11.94]
4	7/16-20UNF MALE SAE J514 STRAIGHT THREAD O-RING BOSSE O-RING BUNA-N 703H-904 ID8.92mmXW1.83mm	0.36 [9.14]
5	1/4-18 NPT	0.64 [16.26]
F	1/4-19 BSPP FEMALE	0.70 [17.78]
P	7/16-20UNF FEMALE SAE J514 STRAIGHT THREAD O-RING BOSS WITH INTEGRAL VALVE DEPRESSOR	0.43 [10.92]
Q	M10 X 1.0 mm	0.42 [10.67]
S	M12 X 1.5 mm	0.53 [13.46]
U	G1/4 DIN 3852 FORM E GASKET DIN3869-14	0.47 [12]

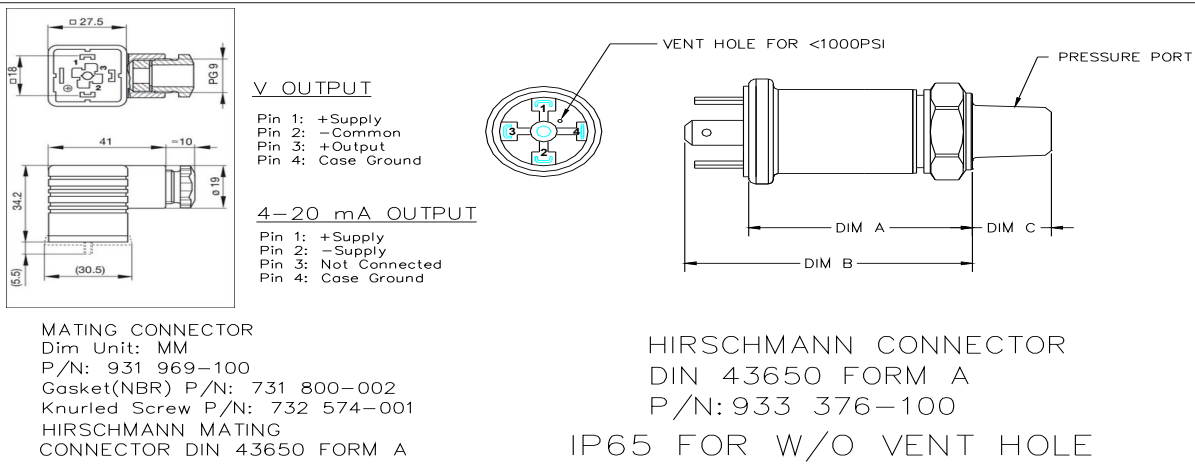
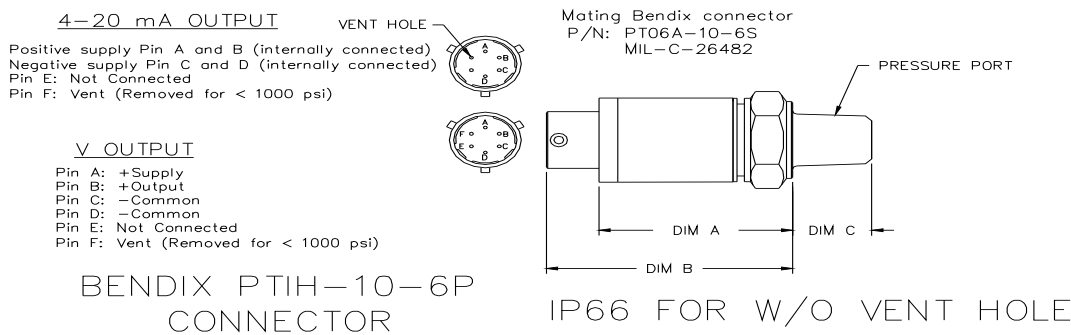
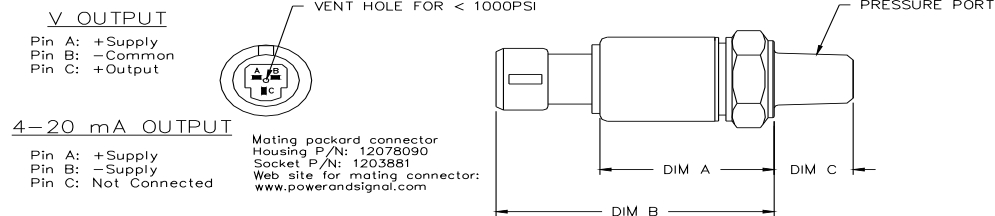
M5100 Heavy Industrial Pressure Transducer

DIMENSIONS



M5100 Heavy Industrial Pressure Transducer

**PACKARD CONNECTOR
 IP66 FOR W/O VENT HOLE**





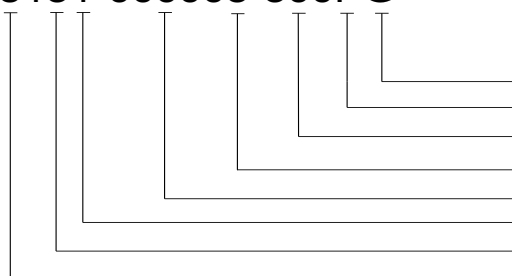
M5100 Heavy Industrial Pressure Transducer

OUTPUT OPTIONS

Code	Output	Supply(V)		
		MIN	TYP	MAX
3	0.5 – 4.5V (ratiometric)	4.75	5	5.25
4	1 – 5V	8		30
5	4 – 20mA	9		30
6	0 – 5V	8		30
7	0 – 10V	15		30
8	1 – 6V	8		30

ORDERING INFORMATION

M5131-000005-300PG



Type (G = Gage)
 Units (P = psi, B = Bar)
 Pressure Range (See Pressure Range Table)
 Pressure Port (See Pressure Port Options Table)
 Specials (nnnnn = Custom Drawing)
 Connection (See Electrical Connections Table)
 Output (See Output Options Table)
 Model

NORTH AMERICA

Measurement Specialties
 45738 Northport Loop West
 Fremont, CA 94538
 Tel: 1-800-767-1888
 Fax: 1-510-498-1578
 Sales: pfg.cs.amer@meas-spec.com

EUROPE

Measurement Specialties
 (Europe), Ltd.
 26 Rue des Dames
 78340 Les Clayes-sous-Bois, France
 Tel: +33 (0) 130 79 33 00
 Fax: +33 (0) 134 81 03 59
 Sales: pfg.cs.emea@meas-spec.com

ASIA

Measurement Specialties
 (China), Ltd.
 No. 26 Langshan Road
 Shenzhen High-Tech Park (North)
 Nanshan District, Shenzhen 518057
 China
 Tel: +86 755 3330 5088
 Fax: +86 755 3330 5099
 Sales: pfg.cs.asia@meas-spec.com

The information in this sheet has been carefully reviewed and is believed to be accurate; however, no responsibility is assumed for inaccuracies. Furthermore, this information does not convey to the purchaser of such devices any license under the patent rights to the manufacturer. Measurement Specialties, Inc. reserves the right to make changes without further notice to any product herein. Measurement Specialties, Inc. makes no warranty, representation or guarantee regarding the suitability of its product for any particular purpose, nor does Measurement Specialties, Inc. assume any liability arising out of the application or use of any product or circuit and specifically disclaims any and all liability, including without limitation consequential or incidental damages. Typical parameters can and do vary in different applications. All operating parameters must be validated for each customer application by customer's technical experts. Measurement Specialties, Inc. does not convey any license under its patent rights nor the rights of others.