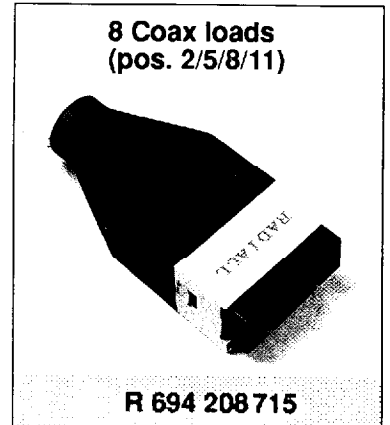
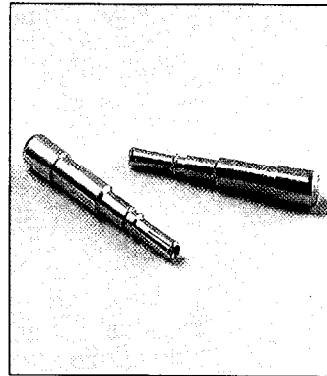
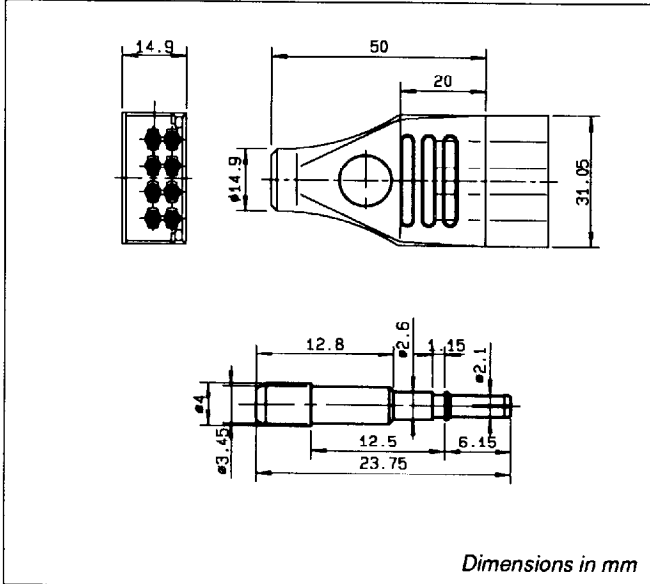


COAXIPACK - 2.5

HIGH DENSITY COAXIAL CONNECTOR SYSTEM

MINI COAX MODULE (1.25 SU)

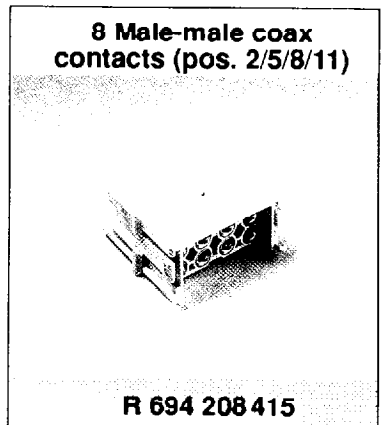
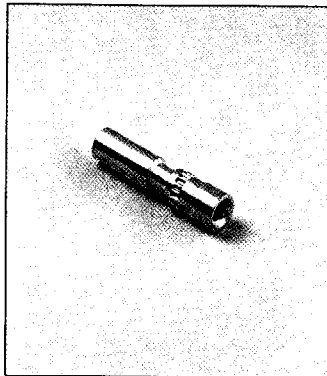
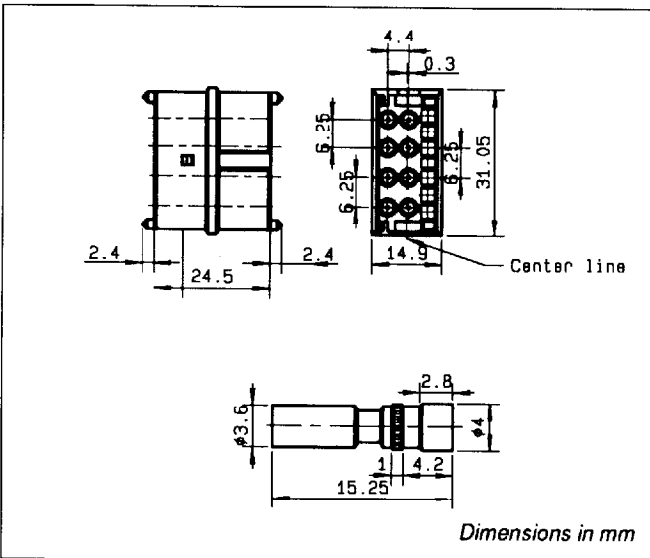
50 Ω coaxial loads connector



Power	100 mW
Frequency range	DC - 2 GHz
V.S.W.R.	≤ 1.22

(* selectively loaded connectors are available on request.

Adapter equipped with straight male - male coaxial contacts



(* selectively loaded connectors are available on request.

Between series adapter (measurement and test)

