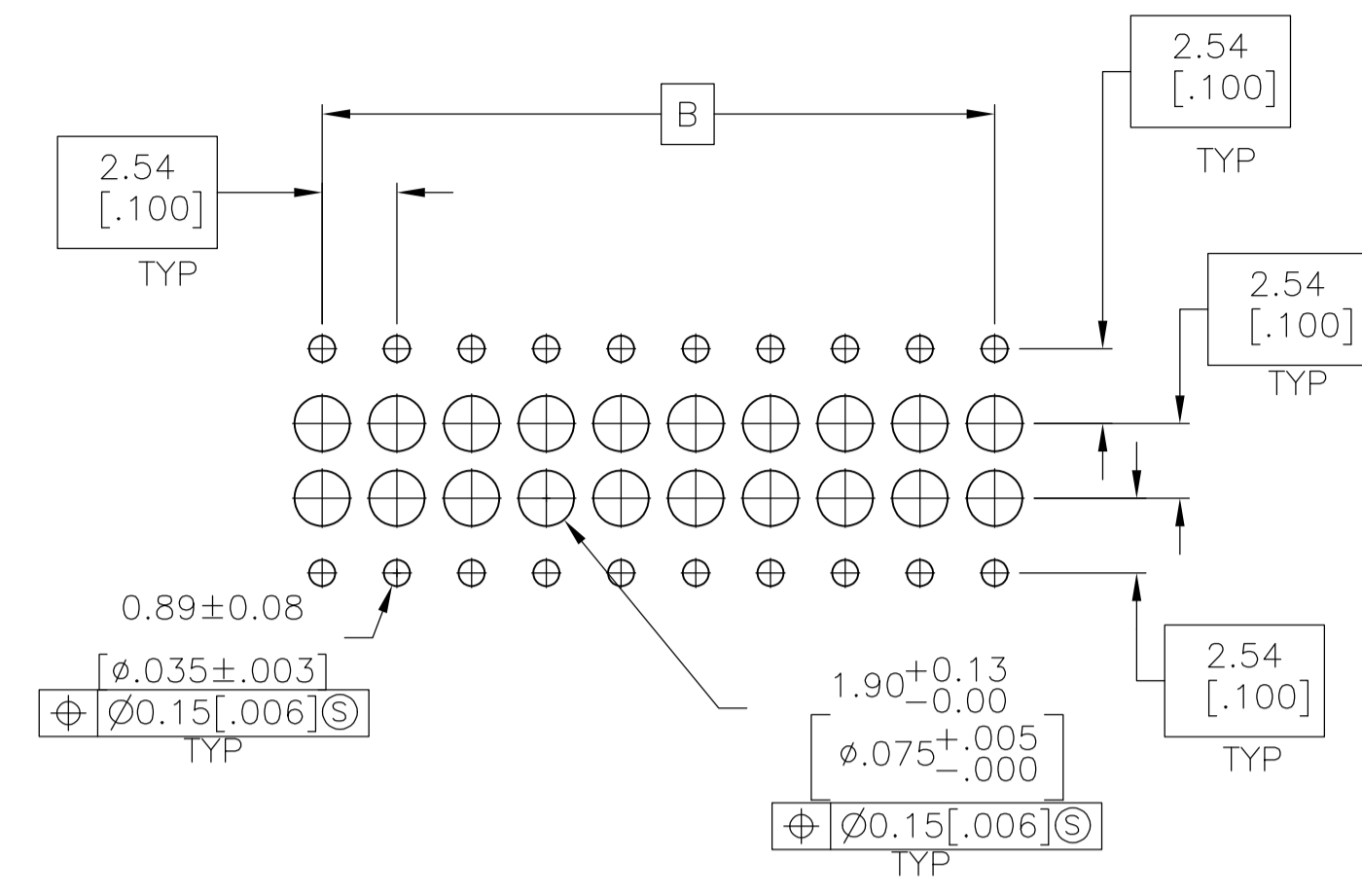
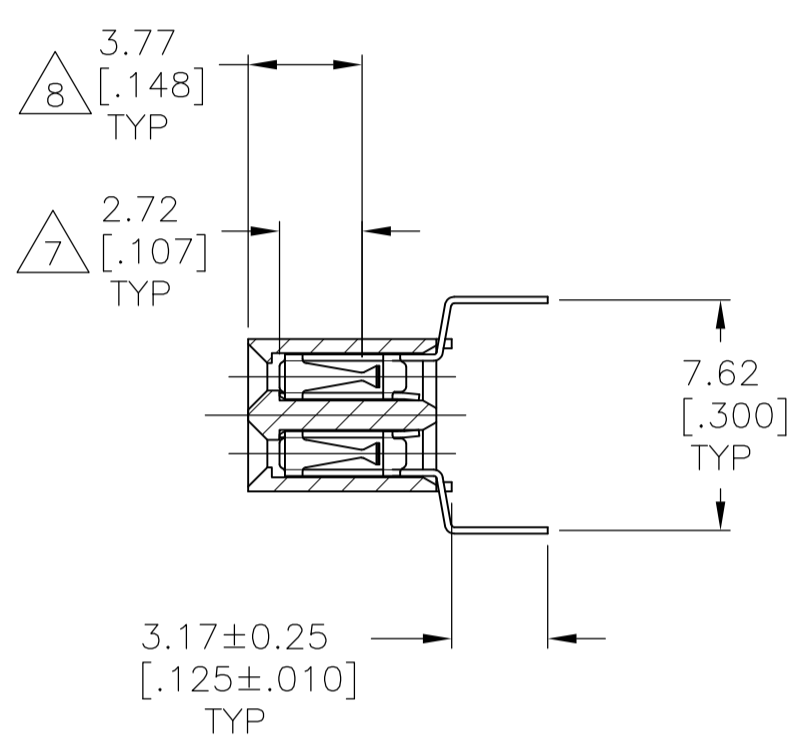
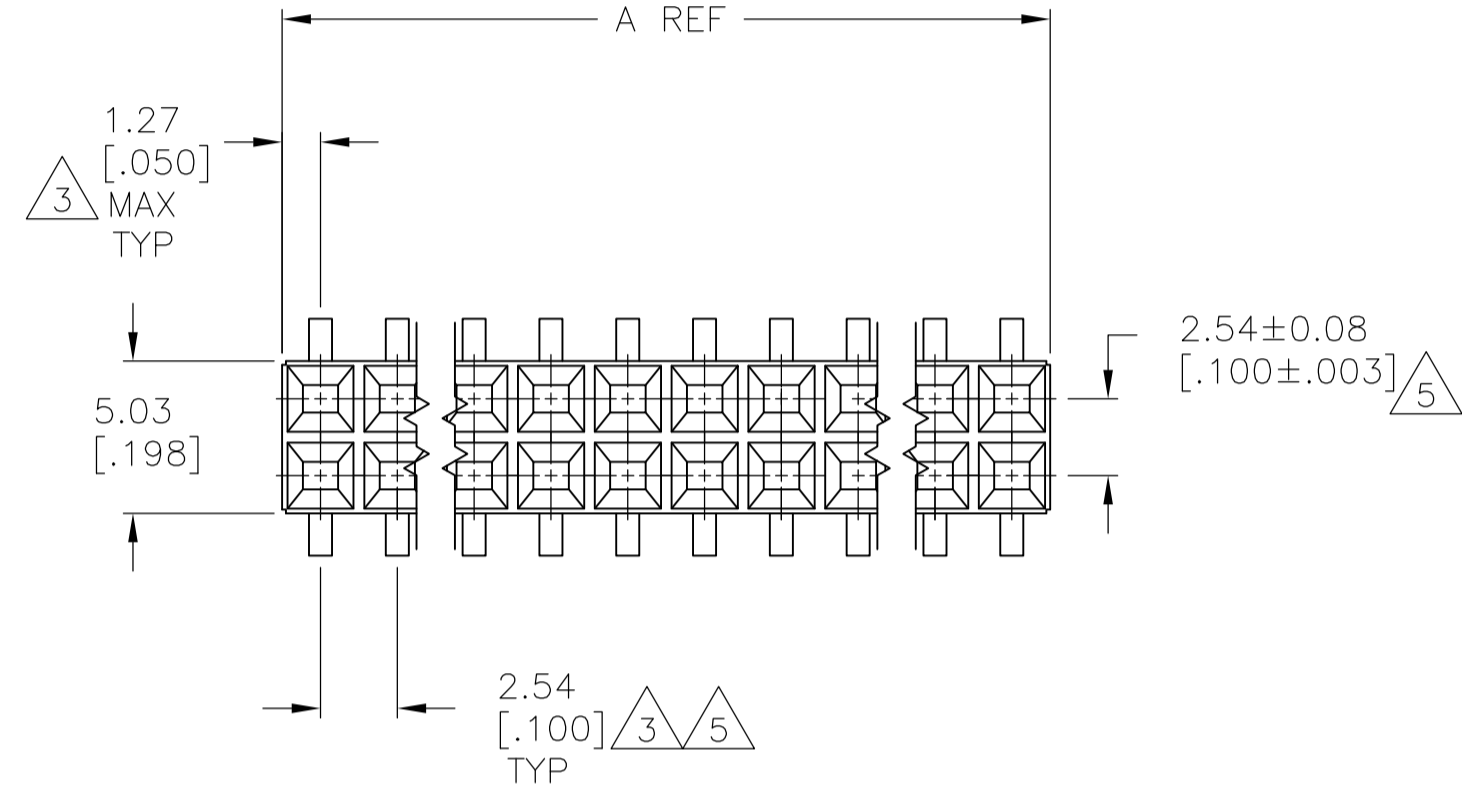
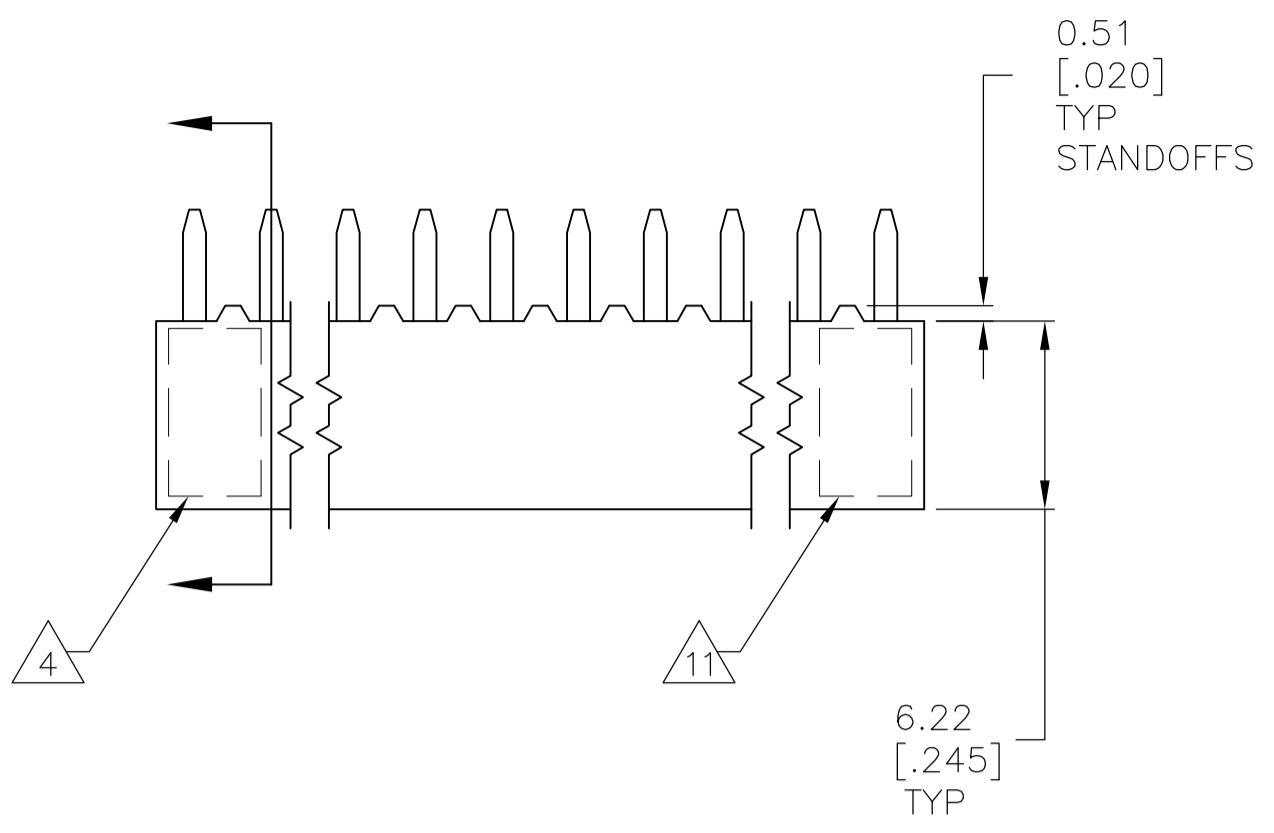


REVISONS		DATE	BY	APPV
K1	REVISED PER ECO-08-019092	05AUG08	HMR	JO
K2	REVISED PER ECO-09-020932	03SEP09	KK	AEG



RECOMMENDED PC BOARD HOLE PATTERN  
PC BOARD THICKNESS 1.57[.062]

- 1 HOUSING: FLAME RETARDANT, GLASS FILLED, THERMOPLASTIC, COLOR: BLACK. CONTACT: PHOSPHOR BRONZE
- 2 CONTACT: 2.54-5.08μm[.000100-.000200] TIN-LEAD OVER 1.27μm[.000050] NICKEL.
- 3 THESE DIMENSIONS PERTAIN TO CAVITY CENTERLINES ONLY - NOT TO CONTACT LOCATIONS
- 4 PART NUMBER AND DATE CODE ARE MARKED IN APPROXIMATE LOCATION SHOWN.
- 5 TOLERANCE IS NON-CUMULATIVE.
- 6 2 POSITION DATE CODE IS MARKED OPPOSITE SIDE OF TE LOGO.
- 7 POINT-OF-MEASUREMENT DIMENSION FOR PLATING THICKNESS (INSIDE CONTACT BEAM).
- 8 POINT-OF-CONTACT DIMENSION.
- 9 CONTACT: 3.81-7.62μm[.000150-.000300] TIN OVER 1.27μm[.000050] NICKEL.
- 10 ROHS 2002/95/EC COMPLIANT PART.
- 11 TE TRADEMARK AND CSA LOGO ARE MOLDED INTO HOUSING, THIS LOCATION.
- 12 NO PART NUMBER MARKING REQUIRED FOR THIS PART.
- 13 OBSOLETE PARTS: OBSOLETE CIS STREAMLINING PER D.RENAUD/D.SINISI

FINISH	B	A	NO OF POSN	PART NUMBER
6 12 OBSOLETE	2.54 [.100]	5.08 [.200]	4	10 13 9-147100-0
	-	2.54 [.100]	2	10 13 8-147100-9
	99.06 [3.900]	101.60 [4.000]	80	10 13 8-147100-8
	96.52 [3.800]	99.06 [3.900]	78	10 13 8-147100-7
	93.98 [3.700]	96.52 [3.800]	76	10 13 8-147100-6
	91.44 [3.600]	93.98 [3.700]	74	10 13 8-147100-5
	88.90 [3.500]	91.44 [3.600]	72	10 13 8-147100-4
	86.36 [3.400]	88.90 [3.500]	70	10 13 8-147100-3
	83.82 [3.300]	86.36 [3.400]	68	10 13 8-147100-2
	81.28 [3.200]	83.82 [3.300]	66	10 13 8-147100-1
	78.74 [3.100]	81.28 [3.200]	64	10 13 8-147100-0
	76.20 [3.000]	78.74 [3.100]	62	10 13 7-147100-9
	73.66 [2.900]	76.20 [3.000]	60	10 13 7-147100-8
	71.12 [2.800]	73.66 [2.900]	58	10 13 7-147100-7
	68.58 [2.700]	71.12 [2.800]	56	10 13 7-147100-6
	66.04 [2.600]	68.58 [2.700]	54	10 13 7-147100-5
	63.50 [2.500]	66.04 [2.600]	52	10 13 7-147100-4
	60.96 [2.400]	63.50 [2.500]	50	10 13 7-147100-3
	58.42 [2.300]	60.96 [2.400]	48	10 13 7-147100-2
	55.88 [2.200]	58.42 [2.300]	46	10 13 7-147100-1
	53.34 [2.100]	55.88 [2.200]	44	10 13 7-147100-0
	50.80 [2.000]	53.34 [2.100]	42	10 13 6-147100-9
	48.26 [1.900]	50.80 [2.000]	40	10 13 6-147100-8
	45.72 [1.800]	48.26 [1.900]	38	10 13 6-147100-7
	43.18 [1.700]	45.72 [1.800]	36	10 13 6-147100-6
	40.64 [1.600]	43.18 [1.700]	34	10 13 6-147100-5
	38.10 [1.500]	40.64 [1.600]	32	10 13 6-147100-4
	35.56 [1.400]	38.10 [1.500]	30	10 13 6-147100-3
	33.02 [1.300]	35.56 [1.400]	28	10 13 6-147100-2
	30.48 [1.200]	33.02 [1.300]	26	10 13 6-147100-1
	27.94 [1.100]	30.48 [1.200]	24	10 13 5-147100-9
	25.40 [1.000]	27.94 [1.100]	22	10 13 5-147100-8
	22.86 [.900]	25.40 [1.000]	20	10 13 5-147100-7
	20.32 [.800]	22.86 [.900]	18	10 13 5-147100-6
	17.78 [.700]	20.32 [.800]	16	10 13 5-147100-5
	15.24 [.600]	17.78 [.700]	14	10 13 5-147100-4
	12.70 [.500]	15.24 [.600]	12	10 13 5-147100-3
	10.16 [.400]	12.70 [.500]	10	10 13 5-147100-2
	7.62 [.300]	10.16 [.400]	8	10 13 5-147100-1
	5.08 [.200]	7.62 [.300]	6	10 13 5-147100-0

FINISH	B	A	NO OF POSN	PART NUMBER
9	43.18 [1.700]	45.72 [1.800]	36	10 13 4-147100-1
12 OBSOLETE	2.54 [.100]	5.08 [.200]	4	10 13 4-147100-0
	-	2.54 [.100]	2	10 13 3-147100-9
	99.06 [3.900]	101.60 [4.000]	80	10 13 3-147100-8
	96.52 [3.800]	99.06 [3.900]	78	10 13 3-147100-7
	93.98 [3.700]	96.52 [3.800]	76	10 13 3-147100-6
	91.44 [3.600]	93.98 [3.700]	74	10 13 3-147100-5
	88.90 [3.500]	91.44 [3.600]	72	10 13 3-147100-4
	86.36 [3.400]	88.90 [3.500]	70	10 13 3-147100-3
	83.82 [3.300]	86.36 [3.400]	68	10 13 3-147100-2
	81.28 [3.200]	83.82 [3.300]	66	10 13 3-147100-1
	78.74 [3.100]	81.28 [3.200]	64	10 13 3-147100-0
	76.20 [3.000]	78.74 [3.100]	62	10 13 2-147100-9
	73.66 [2.900]	76.20 [3.000]	60	10 13 2-147100-8
	71.12 [2.800]	73.66 [2.900]	58	10 13 2-147100-7
	68.58 [2.700]	71.12 [2.800]	56	10 13 2-147100-6
	66.04 [2.600]	68.58 [2.700]	54	10 13 2-147100-5
	63.50 [2.500]	66.04 [2.600]	52	10 13 2-147100-4
	60.96 [2.400]	63.50 [2.500]	50	10 13 2-147100-3
	58.42 [2.300]	60.96 [2.400]	48	10 13 2-147100-2
	55.88 [2.200]	58.42 [2.300]	46	10 13 2-147100-1
	53.34 [2.100]	55.88 [2.200]	44	10 13 2-147100-0
	50.80 [2.000]	53.34 [2.100]	42	10 13 1-147100-9
	48.26 [1.900]	50.80 [2.000]	40	10 13 1-147100-8
	45.72 [1.800]	48.26 [1.900]	38	10 13 1-147100-7
	43.18 [1.700]	45.72 [1.800]	36	10 13 1-147100-6
	40.64 [1.600]	43.18 [1.700]	34	10 13 1-147100-5
	38.10 [1.500]	40.64 [1.600]	32	10 13 1-147100-4
	35.56 [1.400]	38.10 [1.500]	30	10 13 1-147100-3
	33.02 [1.300]	35.56 [1.400]	28	10 13 1-147100-2
	30.48 [1.200]	33.02 [1.300]	26	10 13 1-147100-1
	27.94 [1.100]	30.48 [1.200]	24	10 13 1-147100-0
	25.40 [1.000]	27.94 [1.100]	22	10 13 1-147100-9
	22.86 [.900]	25.40 [1.000]	20	10 13 1-147100-8
	20.32 [.800]	22.86 [.900]	18	10 13 1-147100-7
	17.78 [.700]	20.32 [.800]	16	10 13 1-147100-6
	15.24 [.600]	17.78 [.700]	14	10 13 1-147100-5
	12.70 [.500]	15.24 [.600]	12	10 13 1-147100-4
	10.16 [.400]	12.70 [.500]	10	10 13 1-147100-3
	7.62 [.300]	10.16 [.400]	8	10 13 1-147100-2
	5.08 [.200]	7.62 [.300]	6	10 13 1-147100-1

THIS DRAWING IS A CONTROLLED DOCUMENT. DIMENSIONS: mm [INCHES]. TOLERANCES UNLESS OTHERWISE SPECIFIED: 0 PLC ± .01, 1 PLC ± .01, 2 PLC ± .01, 3 PLC ± .01, 4 PLC ± .01. MATERIAL: 1. FINISH: SEE TABLE. WEIGHT: -. SIZE: A1. CUSTOMER DRAWING: 114-25018. SCALE: 4:1. SHEET: 1 OF 1. REV: K2.