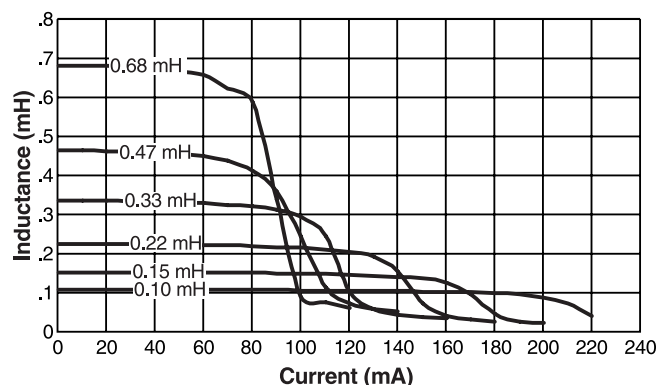
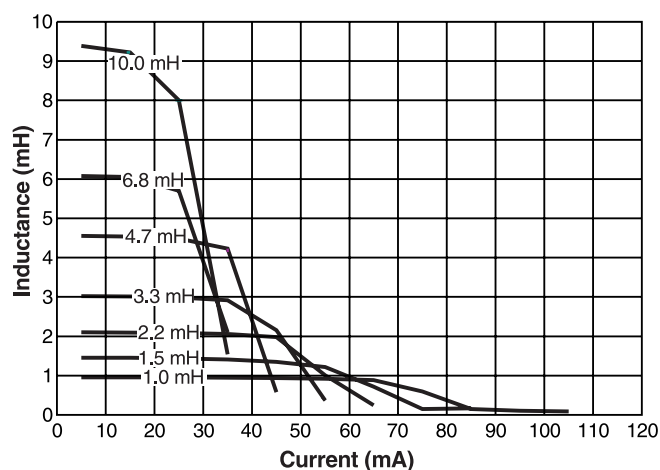




# Backlight Inductors - DS1608BL Series



## Typical Inductance vs. Current



These tiny shielded inductors are specially engineered for demanding backlighting applications. They feature high breakdown voltage and exceptional efficiency: DC resistance is 10% to 60% lower than other inductors.

These magnetically shielded inductors are designed with a flat top and constructed of heat resistant materials to ensure trouble-free assembly and reflow operations.

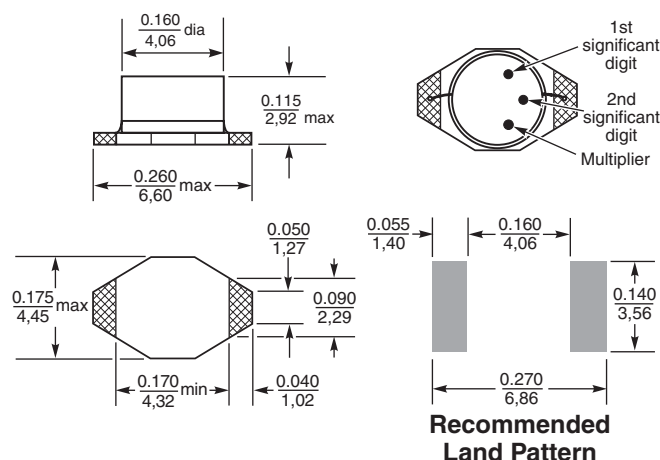
In addition to the standard values shown, custom inductors are also available.

Coilcraft **Designer's Kit C134** contains samples of all values. Visit <http://order.coilcraft.com> to order on-line.

Part number <sup>1</sup>	L $\pm 20\%$ <sup>2</sup> (mH)	DCR max (Ohms)	Insulation core-winding (MOhms)	SRF typ (MHz)	I <sub>rms</sub> <sup>3</sup> (mA)
DS1608BL-104	0.10	0.95	>10	12	220
DS1608BL-154	0.15	1.4	>10	10	200
DS1608BL-224	0.22	1.7	>10	8	180
DS1608BL-334	0.33	2.2	>10	6	160
DS1608BL-474	0.47	3.8	>10	5	140
DS1608BL-684	0.68	4.9	>10	4	120
DS1608BL-105	1.0	9	>10	2	100
DS1608BL-155	1.5	11	>10	1	80
DS1608BL-225	2.2	19	>10	1	50
DS1608BL-335	3.3	24	>10	1	40
DS1608BL-475	4.7	30	>10	1	30
DS1608BL-685	6.8	56	>10	0.9	20
DS1608BL-106	10.0	74	>10	0.8	10

- Part number on reel label will have a suffix to indicate packaging:  
C = machine ready 7" reel, B = partial reel, D = machine-ready 13" reel.
- Inductance tested at 0.1 V<sub>rms</sub>, 100 kHz, 0 Adc.
- Average current for a 30°C rise above 25°C ambient.
- Electrical specifications at 25°C.

See Qualification Standards section for environmental and test data.



**Terminations:** Nickel/gold over moly-manganese  
**Tape and reel:** 750/7" reel; 2500/13" reel 12 mm tape width  
 For packaging data see Tape and Reel Specifications section.

**Coilcraft**<sup>®</sup>

Specifications subject to change without notice.

Please check our website for latest information.

Document 205 Revised 12/20/04

1102 Silver Lake Road Cary, Illinois 60013 Phone 847/639-6400 Fax 847/639-1469

E-mail [info@coilcraft.com](mailto:info@coilcraft.com) Web <http://www.coilcraft.com>