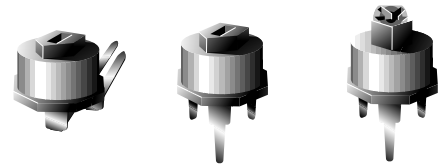


6mm Size Ceramic Trimmer Potentiometers
(Cermet)

Type: EVM□□G



■ Features

- Higher performance dustproof type
- Excellent reliability for heat and humidity
- Stable rotation torque for adjustment

■ Recommended Applications

- Audio visual equipment, home electrical appliances

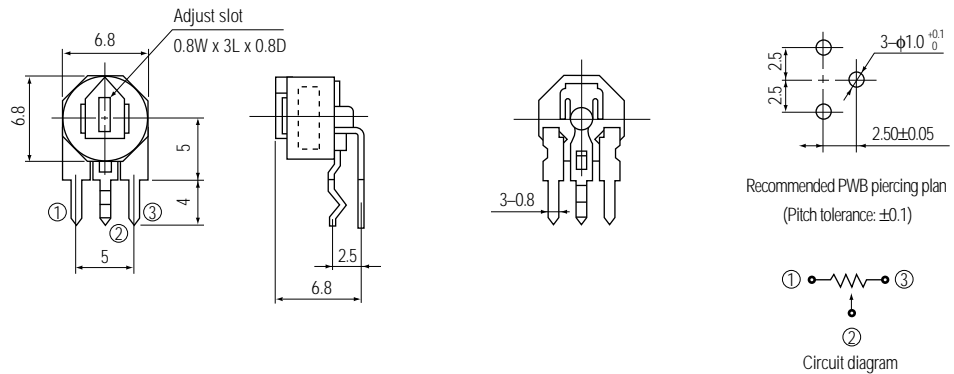
■ Major Specifications

Nominal total resistance	100Ω to 1 MΩ	Max. operating voltage	100V
Resistance tolerance	±25%	Rotation torque	2 to 25 mN · m (20 to 250 gf · cm)
Power rating	0.3W	Stopper strength	30 mN · m (300 gf · cm) min.

■ Dimensions in mm (not to scale)

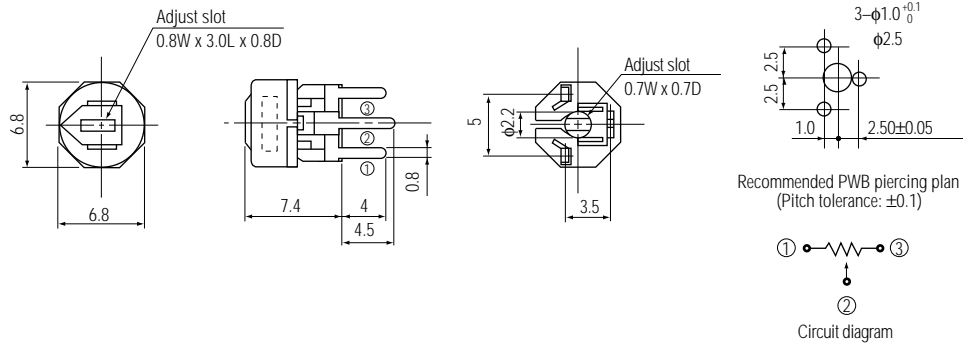
EVM31G

3-Terminal, Side-Adjust,
Both Sides Adjust



EVM38G

3-Terminal, Top-Adjust
Both Sides Adjust



EVM4LG

3-Terminal, Top-Adjust
Both Sides Adjust
Cross Slot Screw Adjust

