



***Z8 GP™ Microcontrollers***

***ZGR323L ROM MCU  
Family***

**Product Specification**

PS023903-0305



This publication is subject to replacement by a later edition. To determine whether a later edition exists, or to request copies of publications, contact:

**ZiLOG Worldwide Headquarters**

532 Race Street  
San Jose, CA 95126-3432  
Telephone: 408.558.8500  
Fax: 408.558.8300  
[www.zilog.com](http://www.zilog.com)

ZiLOG is a registered trademark of ZiLOG Inc. in the United States and in other countries. All other products and/or service names mentioned herein may be trademarks of the companies with which they are associated.

**Document Disclaimer**

©2005 by ZiLOG, Inc. All rights reserved. Information in this publication concerning the devices, applications, or technology described is intended to suggest possible uses and may be superseded. ZILOG, INC. DOES NOT ASSUME LIABILITY FOR OR PROVIDE A REPRESENTATION OF ACCURACY OF THE INFORMATION, DEVICES, OR TECHNOLOGY DESCRIBED IN THIS DOCUMENT. ZILOG ALSO DOES NOT ASSUME LIABILITY FOR INTELLECTUAL PROPERTY INFRINGEMENT RELATED IN ANY MANNER TO USE OF INFORMATION, DEVICES, OR TECHNOLOGY DESCRIBED HEREIN OR OTHERWISE. Devices sold by ZiLOG, Inc. are covered by warranty and limitation of liability provisions appearing in the ZiLOG, Inc. Terms and Conditions of Sale. ZiLOG, Inc. makes no warranty of merchantability or fitness for any purpose. Except with the express written approval of ZiLOG, use of information, devices, or technology as critical components of life support systems is not authorized. No licenses are conveyed, implicitly or otherwise, by this document under any intellectual property rights.



## Revision History

Each instance in Table 1 reflects a change to this document from its previous revision. To see more detail, click the appropriate link in the table.

**Table 1. Revision History of this Document**

<b>Date</b>	<b>Revision Level</b>	<b>Description</b>	<b>Page #</b>
January 2005	02	Made minor change to Figure 50, bits D1 and D2.	74
		Added characterization data, modified Tables 6 and and added two new tables 9 and 10 for the GR323LE and 323GRLA.	1,2,10, 11,12, 13,14
		Removed Preliminary designation	All
	03	Minor change to Ordering Section	89



# Table of Contents

Revision History .....	iii
Development Features .....	1
General Description .....	2
Pin Description .....	4
Absolute Maximum Ratings .....	10
Standard Test Conditions .....	10
DC Characteristics .....	11
AC Characteristics .....	15
Pin Functions .....	17
XTAL1 Crystal 1 (Time-Based Input) .....	17
XTAL2 Crystal 2 (Time-Based Output) .....	17
Port 0 (P07–P00) .....	17
Port 1 (P17–P10) .....	18
Port 2 (P27–P20) .....	19
Port 3 (P37–P30) .....	20
RESET (Input, Active Low) .....	24
Functional Description .....	24
Program Memory .....	24
RAM .....	24
Expanded Register File .....	25
Register File .....	29
Stack .....	30
Timers .....	31
Counter/Timer Functional Blocks .....	39
Interrupts .....	49
Clock .....	52
Power-On Reset .....	52
Expanded Register File Control Registers (0D) .....	64
Expanded Register File Control Registers (0F) .....	70
Standard Control Registers .....	74
Package Information .....	80
Ordering Information .....	87



# List of Figures

Figure 1.	Functional Block Diagram	3
Figure 2.	Counter/Timers Diagram	4
Figure 3.	20-Pin PDIP/SOIC/SSOP Pin Configuration	5
Figure 4.	28-Pin PDIP/SOIC/SSOP Pin Configuration	6
Figure 5.	40-Pin PDIP Pin Configuration	7
Figure 6.	48-Pin SSOP Pin Configuration	8
Figure 7.	Test Load Diagram	10
Figure 8.	AC Timing Diagram	15
Figure 9.	Port 0 Configuration	18
Figure 10.	Port 1 Configuration	19
Figure 11.	Port 2 Configuration	20
Figure 12.	Port 3 Configuration	21
Figure 13.	Port 3 Counter/Timer Output Configuration	23
Figure 14.	Program Memory Map (32K OTP)	25
Figure 15.	Expanded Register File Architecture	27
Figure 16.	Register Pointer	28
Figure 17.	Register Pointer—Detail	30
Figure 18.	Glitch Filter Circuitry	39
Figure 19.	Transmit Mode Flowchart	40
Figure 20.	8-Bit Counter/Timer Circuits	41
Figure 21.	T8_OUT in Single-Pass Mode	42
Figure 22.	T8_OUT in Modulo-N Mode	42
Figure 23.	Demodulation Mode Count Capture Flowchart	43
Figure 24.	Demodulation Mode Flowchart	44
Figure 25.	16-Bit Counter/Timer Circuits	45
Figure 26.	T16_OUT in Single-Pass Mode	46
Figure 27.	T16_OUT in Modulo-N Mode	46
Figure 28.	Ping-Pong Mode Diagram	48
Figure 29.	Output Circuit	48
Figure 30.	Interrupt Block Diagram	50
Figure 31.	Oscillator Configuration	52
Figure 32.	Port Configuration Register (PCON) (Write Only)	54
Figure 33.	STOP Mode Recovery Register	56



Figure 34. SCLK Circuit	57
Figure 35. Stop Mode Recovery Source	58
Figure 36. Stop Mode Recovery Register 2 ((0F)DH:D2–D4, D6 Write Only)	60
Figure 37. WATCH-DOG TIMER Mode Register (Write Only)	61
Figure 38. Resets and WDT	63
Figure 39. TC8 Control Register ((0D)00H: Read/Write Except Where Noted)	65
Figure 40. T8 and T16 Common Control Functions ((0D)01H: Read/Write)	66
Figure 41. T16 Control Register ((0D) 2H: Read/Write Except Where Noted)	68
Figure 42. T8/T16 Control Register (0D)03H: Read/Write (Except Where Noted)	69
Figure 43. Voltage Detection Register	70
Figure 44. Port Configuration Register (PCON)(0F)00H: Write Only	71
Figure 45. Stop Mode Recovery Register ((0F)0BH: D6–D0=Write Only, D7=Read Only)	72
Figure 46. Stop Mode Recovery Register 2 ((0F)0DH:D2–D4, D6 Write Only)	73
Figure 47. Watch-Dog Timer Register ((0F) 0FH: Write Only)	74
Figure 48. Port 2 Mode Register (F6H: Write Only)	74
Figure 49. Port 3 Mode Register (F7H: Write Only)	75
Figure 50. Port 0 and 1 Mode Register (F8H: Write Only)	76
Figure 51. Interrupt Priority Register (F9H: Write Only)	77
Figure 52. Interrupt Request Register (FAH: Read/Write)	78
Figure 53. Interrupt Mask Register (FBH: Read/Write)	78
Figure 54. Flag Register (FCH: Read/Write)	79
Figure 55. Register Pointer (FDH: Read/Write)	79
Figure 56. Stack Pointer High (FEH: Read/Write)	80
Figure 57. Stack Pointer Low (FFH: Read/Write)	80
Figure 58. 20-Pin PDIP Package Diagram	81
Figure 59. 20-Pin SOIC Package Diagram	81
Figure 60. 20-Pin SSOP Package Diagram	82
Figure 61. 28-Pin SOIC Package Diagram	83
Figure 62. 28-Pin PDIP Package Diagram	84
Figure 63. 28-Pin SSOP Package Diagram	85
Figure 64. 40-Pin PDIP Package Diagram	85
Figure 65. 48-Pin SSOP Package Design	86



# List of Tables

Table 1.	Revision History of this Document . . . . .	iii
Table 2.	Features . . . . .	1
Table 3.	Power Connections . . . . .	2
Table 4.	20-Pin PDIP/SOIC/SSOP Pin Identification . . . . .	5
Table 5.	28-Pin PDIP/SOIC/SSOP Pin Identification . . . . .	6
Table 6.	40- and 48-Pin Configuration . . . . .	8
Table 7.	Absolute Maximum Ratings . . . . .	10
Table 8.	Capacitance . . . . .	11
Table 9.	GR323LS DC Characteristics . . . . .	11
Table 10.	GR323LE DC Characteristics . . . . .	12
Table 11.	GR323LA DC Characteristics . . . . .	13
Table 12.	AC Characteristics . . . . .	16
Table 13.	Port 3 Pin Function Summary . . . . .	22
Table 14.	CTR0(D)00h Counter/Timer8 Control Register . . . . .	32
Table 15.	CTR1(0D)01h T8 and T16 Common Functions . . . . .	34
Table 16.	CTR2(D)02h: Counter/Timer16 Control Register . . . . .	37
Table 17.	CTR3 (D)03h: T8/T16 Control Register . . . . .	38
Table 18.	Interrupt Types, Sources, and Vectors . . . . .	51
Table 19.	IRQ Register . . . . .	51
Table 20.	SMR2(F)0Dh:Stop Mode Recovery Register 2* . . . . .	57
Table 21.	Stop Mode Recovery Source . . . . .	59
Table 22.	Watch-Dog Timer Time Select . . . . .	62
Table 23.	Selectable Options . . . . .	63

## Development Features

Table 1 lists the features of ZiLOG<sup>®</sup>'s ZGR323L members.

**Table 1. Features**

Device	OTP(KB)	RAM* (Bytes)	I/O Lines	Voltage Range
ZGR323L ROM MCU	8, 16, 32	237	32, 24 or 16	2.0V–3.6V
Note: *General purpose				

- Low power consumption—5mW (typical)
- T = Temperature
  - S = Standard 0° to +70°C
  - E = Extended -40° to +105°C
  - A = Automotive -40° to +125°C
- Three standby modes:
  - STOP—1.4μA (typical)
  - HALT—0.5mA (typical)
  - Low voltage reset
- Special architecture to automate both generation and reception of complex pulses or signals:
  - One programmable 8-bit counter/timer with two capture registers and two load registers
  - One programmable 16-bit counter/timer with one 16-bit capture register pair and one 16-bit load register pair
  - Programmable input glitch filter for pulse reception
- Six priority interrupts
  - Three external
  - Two assigned to counter/timers
  - One low-voltage detection interrupt
- Low voltage detection and high voltage detection flags
- Programmable Watch-Dog Timer/Power-On Reset (WDT/POR) circuits
- Two independent comparators with programmable interrupt polarity
- Programmable EPROM options
  - Port 0: 0–3 pull-up transistors
  - Port 0: 4–7 pull-up transistors



- Port 1: 0–3 pull-up transistors
- Port 1: 4–7 pull-up transistors
- Port 2: 0–7 pull-up transistors
- WDT enabled at POR

## General Description

The ZGR323L is an OTP-based member of the MCU family of infrared microcontrollers. With 237B of general-purpose RAM and 8KB to 32KB of OTP, ZiLOG<sup>®</sup>'s CMOS microcontrollers offer fast-executing, efficient use of memory, sophisticated interrupts, input/output bit manipulation capabilities, automated pulse generation/reception, and internal key-scan pull-up transistors.

The ZGR323L architecture (Figure 1) is based on ZiLOG's 8-bit microcontroller core with an Expanded Register File allowing access to register-mapped peripherals, input/output (I/O) circuits, and powerful counter/timer circuitry. The Z8<sup>®</sup> CPU offers a flexible I/O scheme, an efficient register and address space structure, and a number of ancillary features that are useful in many consumer, automotive, computer peripheral, and battery-operated hand-held applications.

There are three basic address spaces available to support a wide range of configurations: Program Memory, Register File and Expanded Register File. The register file is composed of 256 Bytes (B) of RAM. It includes 4 I/O port registers, 16 control and status registers, and 236 general-purpose registers. The Expanded Register File consists of two additional register groups (F and D).

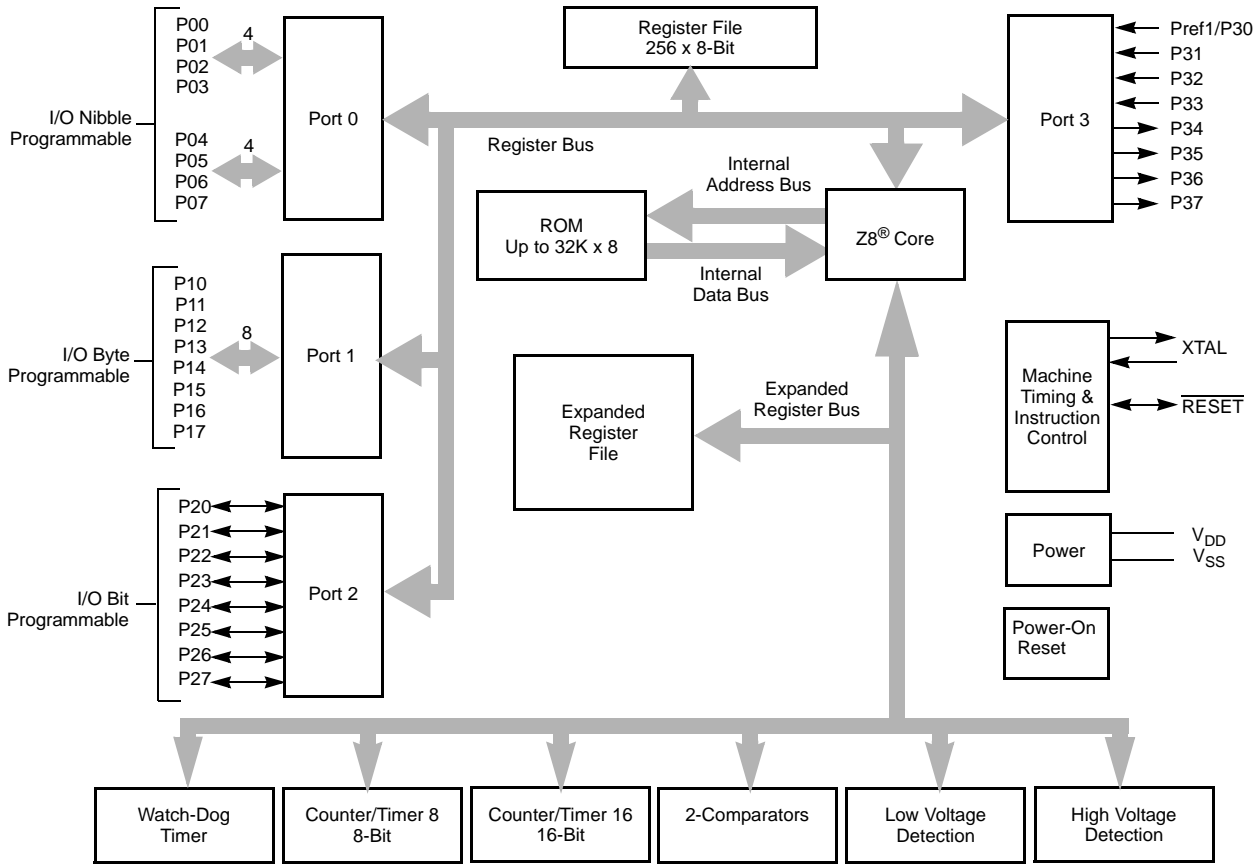
To unburden the program from coping with such real-time problems as generating complex waveforms or receiving and demodulating complex waveform/pulses, the ZGR323L offers a new intelligent counter/timer architecture with 8-bit and 16-bit counter/timers (see Figure 2). Also included are a large number of user-selectable modes and two on-board comparators to process analog signals with separate reference voltages.

- **Note:** All signals with an overline, “ $\bar{\phantom{x}}$ ”, are active Low. For example,  $\overline{B/W}$ , in which WORD is active Low, and  $\overline{B/W}$ , in which BYTE is active Low.

Power connections use the conventional descriptions listed in Table 2.

**Table 2. Power Connections**

Connection	Circuit	Device
Power	V <sub>CC</sub>	V <sub>DD</sub>
Ground	GND	V <sub>SS</sub>



Note: Refer to the specific package for available pins.

**Figure 1. Functional Block Diagram**

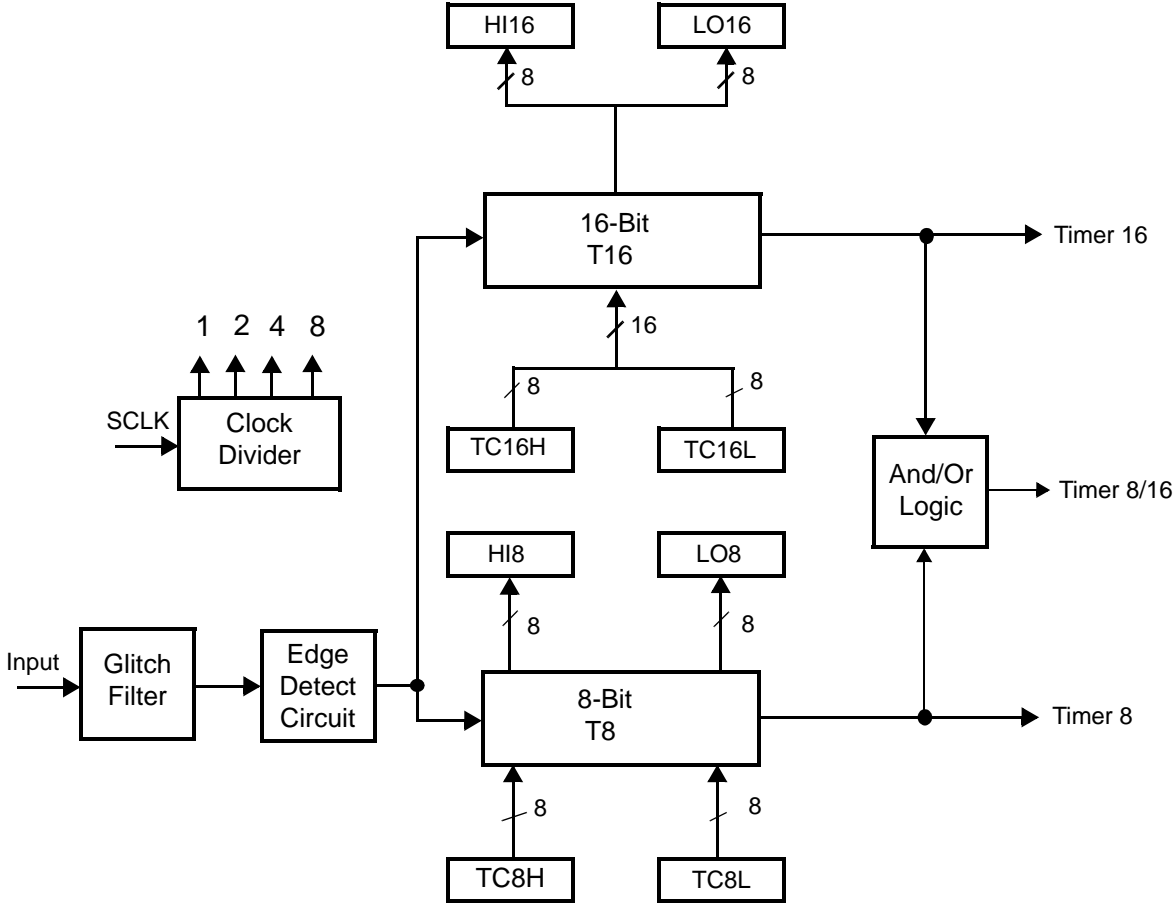


Figure 2. Counter/Timers Diagram

### Pin Description

The pin configuration for the 20-pin PDIP/SOIC/SSOP is illustrated in Figure 3 and described in Table 3. The pin configuration for the 28-pin PDIP/SOIC/SSOP are depicted in Figure 4 and described in Table 4. The pin configurations for the 40-pin PDIP and 48-pin SSOP versions are illustrated in Figure 5, Figure 6, and described in Table 5.

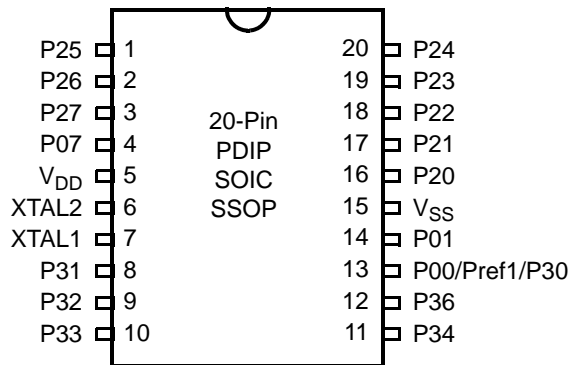


Figure 3. 20-Pin PDIP/SOIC/SSOP Pin Configuration

Table 3. 20-Pin PDIP/SOIC/SSOP Pin Identification

Pin #	Symbol	Function	Direction
1–3	P25–P27	Port 2, Bits 5,6,7	Input/Output
4	P07	Port 0, Bit 7	Input/Output
5	V <sub>DD</sub>	Power Supply	
6	XTAL2	Crystal Oscillator Clock	Output
7	XTAL1	Crystal Oscillator Clock	Input
8–10	P31–P33	Port 3, Bits 1,2,3	Input
11,12	P34, P36	Port 3, Bits 4,6	Output
13	P00/Pref1/P30	Port 0, Bit 0/Analog reference input Port 3 Bit 0	Input/Output for P00 Input for Pref1/P30
14	P01	Port 0, Bit 1	Input/Output
15	V <sub>SS</sub>	Ground	
16–20	P20–P24	Port 2, Bits 0,1,2,3,4	Input/Output

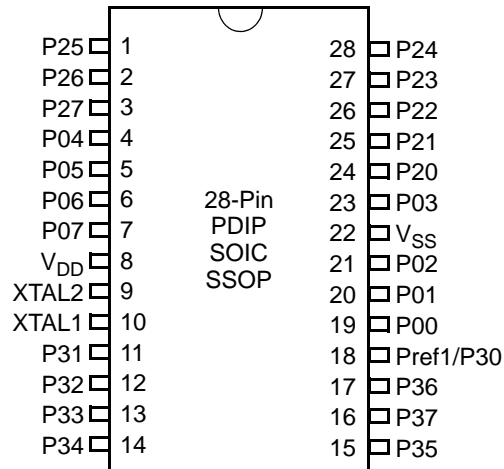


Figure 4. 28-Pin PDIP/SOIC/SSOP Pin Configuration

Table 4. 28-Pin PDIP/SOIC/SSOP Pin Identification

Pin	Symbol	Direction	Description
1-3	P25-P27	Input/Output	Port 2, Bits 5, 6, 7
4-7	P04-P07	Input/Output	Port 0, Bits 4, 5, 6, 7
8	V <sub>DD</sub>		Power supply
9	XTAL2	Output	Crystal, oscillator clock
10	XTAL1	Input	Crystal, oscillator clock
11-13	P31-P33	Input	Port 3, Bits 1, 2, 3
14	P34	Output	Port 3, Bit 4
15	P35	Output	Port 3, Bit 5
16	P37	Output	Port 3, Bit 7
17	P36	Output	Port 3, Bit 6
18	Pref1/P30 Port 3 Bit 0	Input	Analog ref input; connect to V <sub>CC</sub> if not used Input for Pref1/P30
19-21	P00-P02	Input/Output	Port 0, Bits 0, 1, 2
22	V <sub>SS</sub>		Ground
23	P03	Input/Output	Port 0, Bit 3
24-28	P20-P24	Input/Output	Port 2, Bits 0–4

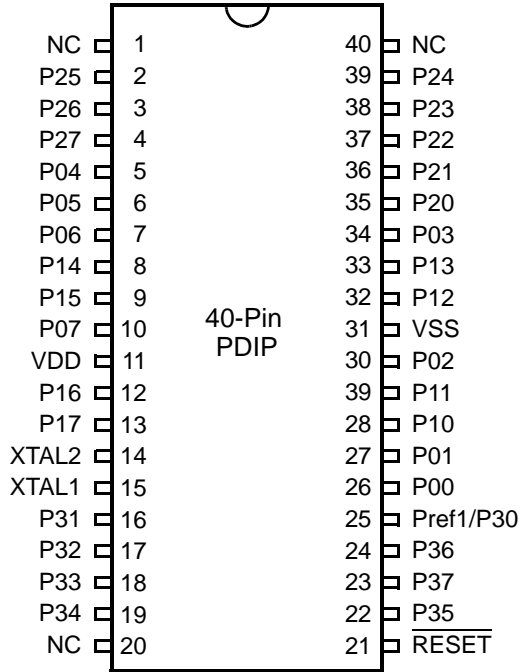


Figure 5. 40-Pin PDIP Pin Configuration

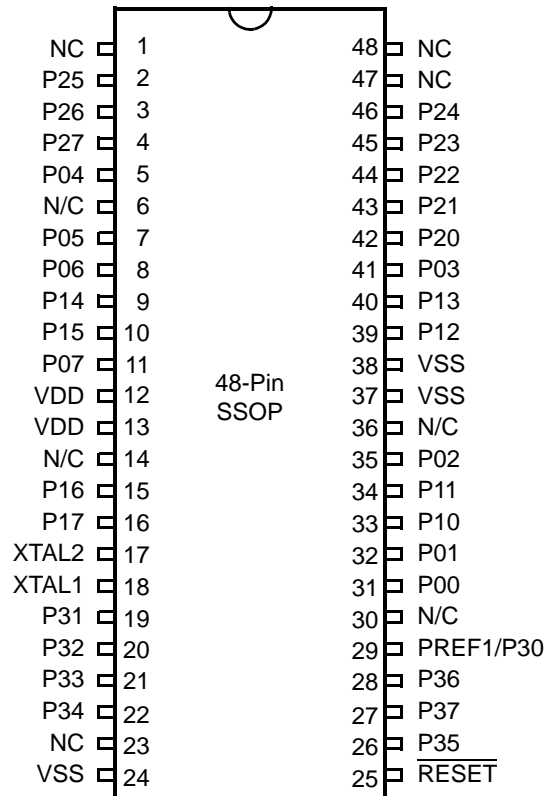


Figure 6. 48-Pin SSOP Pin Configuration

Table 5. 40- and 48-Pin Configuration

40-Pin PDIP #	48-Pin SSOP #	Symbol
26	31	P00
27	32	P01
30	35	P02
34	41	P03
5	5	P04
6	7	P05
7	8	P06
10	11	P07
28	33	P10
29	34	P11
32	39	P12

**Table 5. 40- and 48-Pin Configuration (Continued)**

40-Pin PDIP #	48-Pin SSOP #	Symbol
33	40	P13
8	9	P14
9	10	P15
12	15	P16
13	16	P17
35	42	P20
36	43	P21
37	44	P22
38	45	P23
39	46	P24
2	2	P25
3	3	P26
4	4	P27
16	19	P31
17	20	P32
18	21	P33
19	22	P34
22	26	P35
24	28	P36
23	27	P37
20	23	NC
40	47	NC
1	1	NC
21	25	RESET
15	18	XTAL1
14	17	XTAL2
11	12, 13	V <sub>DD</sub>
31	24, 37, 38	V <sub>SS</sub>
25	29	Pref1/P30
	48	NC
	6	NC
	14	NC
	30	NC
	36	NC



## Absolute Maximum Ratings

Stresses greater than those listed in Table 7 might cause permanent damage to the device. This rating is a stress rating only. Functional operation of the device at any condition above those indicated in the operational sections of these specifications is not implied. Exposure to absolute maximum rating conditions for an extended period might affect device reliability.

**Table 6. Absolute Maximum Ratings**

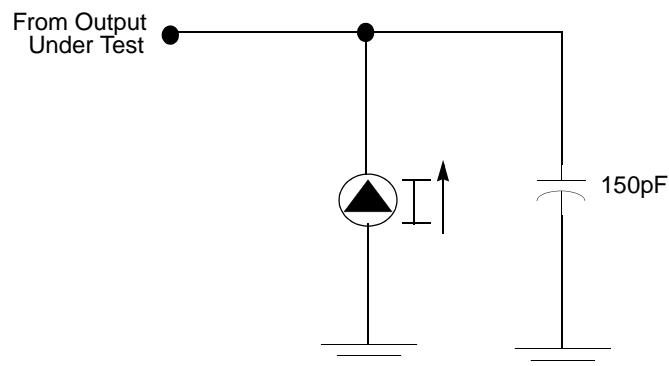
Parameter	Minimum	Maximum	Units	Notes
Ambient temperature under bias	-40	+125	C	
Storage temperature	-65	+150	C	
Voltage on any pin with respect to $V_{SS}$	-0.3	+5.5	V	1
Voltage on $V_{DD}$ pin with respect to $V_{SS}$	-0.3	+3.6	V	
Maximum current on input and/or inactive output pin	-5	+5	$\mu$ A	
Maximum output current from active output pin	-25	+25	mA	
Maximum current into $V_{DD}$ or out of $V_{SS}$		75	mA	

Notes:

1. This voltage applies to all pins except the following:  $V_{DD}$ , P32, P33 and  $\overline{\text{RESET}}$ .

## Standard Test Conditions

The characteristics listed in this product specification apply for standard test conditions as noted. All voltages are referenced to GND. Positive current flows into the referenced pin (see Figure 7).



**Figure 7. Test Load Diagram**

## Capacitance

Table 7 lists the capacitances.

**Table 7. Capacitance**

Parameter	Maximum
Input capacitance	12pF
Output capacitance	12pF
I/O capacitance	12pF

Note:  $T_A = 25^\circ\text{C}$ ,  $V_{CC} = \text{GND} = 0\text{V}$ ,  $f = 1.0\text{MHz}$ , unmeasured pins returned to GND

## DC Characteristics

**Table 8. GR323LS DC Characteristics**

Symbol	Parameter	$V_{CC}$	$T_A = 0^\circ\text{C to } +70^\circ\text{C}$			Units	Conditions	Notes
			Min	Typ(7)	Max			
$V_{CC}$	Supply Voltage		2.0		3.6	V	See Notes	5
$V_{CH}$	Clock Input High Voltage	2.0-3.6	$0.8 V_{CC}$		$V_{CC}+0.3$	V	Driven by External Clock Generator	
$V_{CL}$	Clock Input Low Voltage	2.0-3.6	$V_{SS}-0.3$		0.5	V	Driven by External Clock Generator	
$V_{IH}$	Input High Voltage	2.0-3.6	$0.7 V_{CC}$		$V_{CC}+0.3$	V		
$V_{IL}$	Input Low Voltage	2.0-3.6	$V_{SS}-0.3$		$0.2 V_{CC}$	V		
$V_{OH1}$	Output High Voltage	2.0-3.6	$V_{CC}-0.4$			V	$I_{OH} = -0.5\text{mA}$	
$V_{OH2}$	Output High Voltage (P36, P37, P00, P01)	2.0-3.6	$V_{CC}-0.8$			V	$I_{OH} = -7\text{mA}$	
$V_{OL1}$	Output Low Voltage	2.0-3.6			0.4	V	$I_{OL} = 4.0\text{mA}$	
$V_{OL2}$	Output Low Voltage (P00, P01, P36, P37)	2.0-3.6			0.8	V	$I_{OL} = 10\text{mA}$	
$V_{OFFSET}$	Comparator Input Offset Voltage	2.0-3.6			25	mV		
$V_{REF}$	Comparator Reference Voltage	2.0-3.6	0		$V_{DD}$ -1.75	V		
$I_{IL}$	Input Leakage	2.0-3.6	-1		1	$\mu\text{A}$	$V_{IN} = 0\text{V}$ , $V_{CC}$ Pull-ups disabled	
$R_{PU}$	Pull-Up Resistance	2.0V	225		675	K $\Omega$	$V_{IN} = 0\text{V}$ ; Pullups selected by mask option	
		3.6V	75		275	K $\Omega$		
$I_{OL}$	Output Leakage	2.0-3.6	-1		1	$\mu\text{A}$	$V_{IN} = 0\text{V}$ , $V_{CC}$	
$I_{CC}$	Supply Current	2.0		1.2	3	mA	at 8.0 MHz	1, 2
		3.6		2.2	5	mA	at 8.0 MHz	1, 2

**Table 8. GR323LS DC Characteristics (Continued)**

Symbol	Parameter	V <sub>CC</sub>	T <sub>A</sub> = 0°C to +70°C			Units	Conditions	Notes
			Min	Typ(7)	Max			
I <sub>CC1</sub>	Standby Current (HALT Mode)	2.0	0.5	1.6	mA	V <sub>IN</sub> = 0V, V <sub>CC</sub> at 8.0MHz Same as above	1, 2, 6 1, 2, 6	
		3.6	0.8	2.0	mA			
I <sub>CC2</sub>	Standby Current (Stop Mode)	2.0	1.5	8	μA	V <sub>IN</sub> = 0 V, V <sub>CC</sub> WDT is not Running Same as above V <sub>IN</sub> = 0 V, V <sub>CC</sub> WDT is Running Same as above	3 3 3 3	
		3.6	2.1	10	μA			
		2.0	4.7	20	μA			
		3.6	7.4	30	μA			
I <sub>LV</sub>	Standby Current (Low Voltage)		1.0	6	μA	Measured at 1.3V	4	
V <sub>BO</sub>	V <sub>CC</sub> Low Voltage Protection		1.8	2.0	V	8MHz maximum Ext. CLK Freq.		
V <sub>LVD</sub>	V <sub>CC</sub> Low Voltage Detection		2.4		V			
V <sub>HVD</sub>	V <sub>CC</sub> High Voltage Detection		2.7		V			

**Notes:**

1. All outputs unloaded, inputs at rail.
2. CL1 = CL2 = 100 pF.
3. Oscillator stopped.
4. Oscillator stops when V<sub>CC</sub> falls below V<sub>BO</sub> limit.
5. It is strongly recommended to add a filter capacitor (minimum 0.1μF), physically close to VDD and V<sub>SS</sub> pins if operating voltage fluctuations are anticipated, such as those resulting from driving an infrared LED.
6. Comparator and Timers are on. Interrupt disabled.
7. Typical values shown are at 25 degrees C.

**Table 9. GR323LE DC Characteristics**

Symbol	Parameter	V <sub>CC</sub>	T <sub>A</sub> = -40°C to +105°C			Units	Conditions	Notes
			Min	Typ(7)	Max			
V <sub>CC</sub>	Supply Voltage		2.0		3.6	V	See Notes	5
V <sub>CH</sub>	Clock Input High Voltage	2.0-3.6	0.8 V <sub>CC</sub>		V <sub>CC</sub> +0.3	V	Driven by External Clock Generator	
V <sub>CL</sub>	Clock Input Low Voltage	2.0-3.6	V <sub>SS</sub> -0.3		0.5	V	Driven by External Clock Generator	
V <sub>IH</sub>	Input High Voltage	2.0-3.6	0.7 V <sub>CC</sub>		V <sub>CC</sub> +0.3	V		
V <sub>IL</sub>	Input Low Voltage	2.0-3.6	V <sub>SS</sub> -0.3		0.2 V <sub>CC</sub>	V		
V <sub>OH1</sub>	Output High Voltage	2.0-3.6	V <sub>CC</sub> -0.4			V	I <sub>OH</sub> = -0.5mA	
V <sub>OH2</sub>	Output High Voltage (P36, P37, P00, P01)	2.0-3.6	V <sub>CC</sub> -0.8			V	I <sub>OH</sub> = -7mA	
V <sub>OL1</sub>	Output Low Voltage	2.0-3.6			0.4	V	I <sub>OL</sub> = 4.0mA	
V <sub>OL2</sub>	Output Low Voltage (P00, P01, P36, P37)	2.0-3.6			0.8	V	I <sub>OL</sub> = 8mA	
V <sub>OFFSET</sub>	Comparator Input Offset Voltage	2.0-3.6			25	mV		

**Table 9. GR323LE DC Characteristics (Continued)**

Symbol	Parameter	V <sub>CC</sub>	T <sub>A</sub> = -40°C to +105°C			Units	Conditions	Notes
			Min	Typ(7)	Max			
V <sub>REF</sub>	Comparator Reference Voltage	2.0-3.6	0		V <sub>DD</sub> -1.75	V		
I <sub>IL</sub>	Input Leakage	2.0-3.6	-1		1	μA	V <sub>IN</sub> = 0V, V <sub>CC</sub> Pull-ups disabled	
R <sub>PU</sub>	Pull-Up Resistance	2.0V	200		700	K Ω	V <sub>IN</sub> = 0V; Pullups selected by mask option	
		3.6V	50		300	K Ω		
I <sub>OL</sub>	Output Leakage	2.0-3.6	-1		1	μA	V <sub>IN</sub> = 0V, V <sub>CC</sub>	
I <sub>CC</sub>	Supply Current	2.0		1.2	3	mA	at 8.0 MHz	1, 2
		3.6		2.2	5	mA	at 8.0 MHz	1, 2
I <sub>CC1</sub>	Standby Current (HALT Mode)	2.0		0.5	1.6	mA	V <sub>IN</sub> = 0V, V <sub>CC</sub> at 8.0MHz	1, 2, 6
		3.6		0.8	2.0	mA	Same as above	1, 2, 6
I <sub>CC2</sub>	Standby Current (Stop Mode)	2.0		1.5	12	μA	V <sub>IN</sub> = 0 V, V <sub>CC</sub> WDT is not Running	3
		3.6		2.1	15	μA	Same as above	3
		2.0		4.7	30	μA	V <sub>IN</sub> = 0 V, V <sub>CC</sub> WDT is Running	3
		3.6		7.4	40	μA	Same as above	3
I <sub>LV</sub>	Standby Current (Low Voltage)			1.0	6	μA	Measured at 1.3V	4
V <sub>BO</sub>	V <sub>CC</sub> Low Voltage Protection			1.8	2.15	V	8MHz maximum Ext. CLK Freq.	
V <sub>LVD</sub>	V <sub>CC</sub> Low Voltage Detection			2.4		V		
V <sub>HVD</sub>	V <sub>CC</sub> High Voltage Detection			2.7		V		

**Notes:**

1. All outputs unloaded, inputs at rail.
2. CL1 = CL2 = 100 pF.
3. Oscillator stopped.
4. Oscillator stops when V<sub>CC</sub> falls below V<sub>BO</sub> limit.
5. It is strongly recommended to add a filter capacitor (minimum 0.1μF), physically close to V<sub>DD</sub> and V<sub>SS</sub> pins if operating voltage fluctuations are anticipated, such as those resulting from driving an infrared LED.
6. Comparator and Timers are on. Interrupt disabled.
7. Typical values shown are at 25 degrees C.

**Table 10. GR323LA DC Characteristics**

Symbol	Parameter	V <sub>CC</sub>	T <sub>A</sub> = -40°C to +125°C			Units	Conditions	Notes
			Min	Typ(7)	Max			
V <sub>CC</sub>	Supply Voltage		2.0		3.6	V	See Notes	5
V <sub>CH</sub>	Clock Input High Voltage	2.0-3.6	0.8 V <sub>CC</sub>		V <sub>CC</sub> +0.3	V	Driven by External Clock Generator	
V <sub>CL</sub>	Clock Input Low Voltage	2.0-3.6	V <sub>SS</sub> -0.3		0.5	V	Driven by External Clock Generator	
V <sub>IH</sub>	Input High Voltage	2.0-3.6	0.7 V <sub>CC</sub>		V <sub>CC</sub> +0.3	V		

Table 10. GR323LA DC Characteristics (Continued)

Symbol	Parameter	V <sub>CC</sub>	T <sub>A</sub> = -40°C to +125°C			Units	Conditions	Notes
			Min	Typ(7)	Max			
V <sub>IL</sub>	Input Low Voltage	2.0-3.6	V <sub>SS</sub> -0.3		0.2 V <sub>CC</sub>	V		
V <sub>OH1</sub>	Output High Voltage	2.0-3.6	V <sub>CC</sub> -0.4			V	I <sub>OH</sub> = -0.5mA	
V <sub>OH2</sub>	Output High Voltage (P36, P37, P00, P01)	2.0-3.6	V <sub>CC</sub> -0.8			V	I <sub>OH</sub> = -7mA	
V <sub>OL1</sub>	Output Low Voltage	2.0-3.6			0.4	V	I <sub>OL</sub> = 4.0mA	
V <sub>OL2</sub>	Output Low Voltage (P00, P01, P36, P37)	2.0-3.6			0.8	V	I <sub>OL</sub> = 8mA	
V <sub>OFFSET</sub>	Comparator Input Offset Voltage	2.0-3.6			25	mV		
V <sub>REF</sub>	Comparator Reference Voltage	2.0-3.6	0		V <sub>DD</sub> -1.75	V		
I <sub>IL</sub>	Input Leakage	2.0-3.6	-1		1	μA	V <sub>IN</sub> = 0V, V <sub>CC</sub> Pull-ups disabled	
R <sub>PU</sub>	Pull-Up Resistance	2.0V	200		700	K Ω	V <sub>IN</sub> = 0V; Pullups selected by mask option	
		3.6V	50		300	K Ω		
I <sub>OL</sub>	Output Leakage	2.0-3.6	-1		1	μA	V <sub>IN</sub> = 0V, V <sub>CC</sub>	
I <sub>CC</sub>	Supply Current	2.0		1.2	3	mA	at 8.0 MHz	1, 2
		3.6		2.2	5	mA	at 8.0 MHz	1, 2
I <sub>CC1</sub>	Standby Current (HALT Mode)	2.0		0.5	1.6	mA	V <sub>IN</sub> = 0V, V <sub>CC</sub> at 8.0MHz	1, 2, 6
		3.6		0.8	2.0	mA	Same as above	1, 2, 6
I <sub>CC2</sub>	Standby Current (Stop Mode)	2.0		1.5	15	μA	V <sub>IN</sub> = 0 V, V <sub>CC</sub> WDT is not Running	3
		3.6		2.1	20	μA	Same as above	3
		2.0		4.7	30	μA	V <sub>IN</sub> = 0 V, V <sub>CC</sub> WDT is Running	3
		3.6		7.4	40	μA	Same as above	3
I <sub>LV</sub>	Standby Current (Low Voltage)			1.0	6	μA	Measured at 1.3V	4
V <sub>BO</sub>	V <sub>CC</sub> Low Voltage Protection			1.8	2.15	V	8MHz maximum Ext. CLK Freq.	
V <sub>LVD</sub>	V <sub>CC</sub> Low Voltage Detection			2.4		V		
V <sub>HVD</sub>	V <sub>CC</sub> High Voltage Detection			2.7		V		

**Notes:**

1. All outputs unloaded, inputs at rail.
2. CL1 = CL2 = 100 pF.
3. Oscillator stopped.
4. Oscillator stops when V<sub>CC</sub> falls below V<sub>BO</sub> limit.
5. It is strongly recommended to add a filter capacitor (minimum 0.1μF), physically close to V<sub>DD</sub> and V<sub>SS</sub> pins if operating voltage fluctuations are anticipated, such as those resulting from driving an infrared LED.
6. Comparator and Timers are on. Interrupt disabled.
7. Typical values shown are at 25 degrees C.

# AC Characteristics

Figure 8 and Table 11 describe the Alternating Current (AC) characteristics.

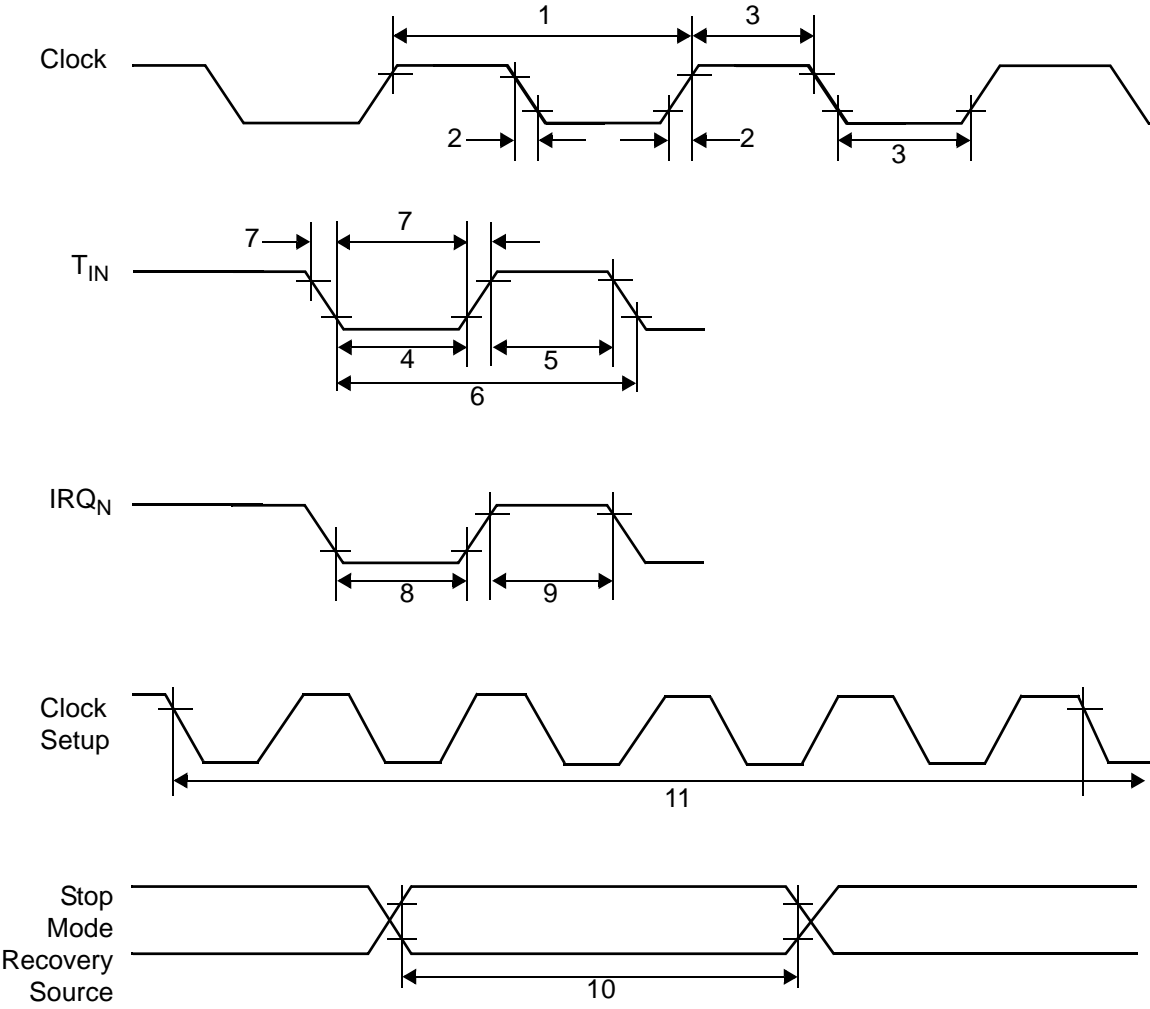


Figure 8. AC Timing Diagram



Table 11. AC Characteristics

No	Symbol	Parameter	V <sub>CC</sub>	T <sub>A</sub> =0°C to +70°C (S) -40°C to +105°C (E) -40°C to +125°C (A) 8.0MHz		Units	Notes	Watch-Dog Timer Mode Register (D1, D0)
				Minimum	Maximum			
1	T <sub>pC</sub>	Input Clock Period	2.0–3.6	121	DC	ns	1	
2	TrC, TfC	Clock Input Rise and Fall Times	2.0–3.6		25	ns	1	
3	T <sub>wC</sub>	Input Clock Width	2.0–3.6	37		ns	1	
4	T <sub>wTinL</sub>	Timer Input Low Width	2.0 3.6	100 70		ns	1	
5	T <sub>wTinH</sub>	Timer Input High Width	2.0–3.6	3T <sub>pC</sub>			1	
6	T <sub>pTin</sub>	Timer Input Period	2.0–3.6	8T <sub>pC</sub>			1	
7	TrTin, TfTin	Timer Input Rise and Fall Timers	2.0–3.6		100	ns	1	
8	T <sub>wIL</sub>	Interrupt Request Low Time	2.0 3.6	100 70		ns	1, 2	
9	T <sub>wIH</sub>	Interrupt Request Input High Time	2.0–3.6	5T <sub>pC</sub>			1, 2	
10	T <sub>wsm</sub>	Stop-Mode Recovery Width Spec	2.0–3.6	12 10T <sub>pC</sub>		ns	3 4	
11	T <sub>ost</sub>	Oscillator Start-Up Time	2.0–3.6		5T <sub>pC</sub>		4	
12	T <sub>wdt</sub>	Watch-Dog Timer Delay Time	2.0–3.6 2.0–3.6 2.0–3.6 2.0–3.6	5 10 20 80		ms ms ms ms	0, 0 0, 1 1, 0 1, 1	
13	T <sub>POR</sub>	Power-On Reset	2.0–3.6	2.5	10	ms		

Notes:

1. Timing Reference uses 0.9 V<sub>CC</sub> for a logic 1 and 0.1 V<sub>CC</sub> for a logic 0.
2. Interrupt request through Port 3 (P33–P31).
3. SMR – D5 = 1.
4. SMR – D5 = 0.

## Pin Functions

### XTAL1 Crystal 1 (Time-Based Input)

This pin connects a parallel-resonant crystal or ceramic resonator to the on-chip oscillator input. Additionally, an optional external single-phase clock can be coded to the on-chip oscillator input.

### XTAL2 Crystal 2 (Time-Based Output)

This pin connects a parallel-resonant crystal or ceramic resonant to the on-chip oscillator output.

### Port 0 (P07–P00)

Port 0 is an 8-bit, bidirectional, CMOS-compatible port. These eight I/O lines are configured under software control as a nibble I/O port. The output drivers are push-pull or open-drain controlled by bit D2 in the PCON register.

If one or both nibbles are needed for I/O operation, they must be configured by writing to the Port 01 mode register (P01M). After a hardware reset or Stop Mode recovery, Port 0 is configured as an input port.

An optional pull-up transistor is available as a OTP option bit on all Port 0 bits with nibble select.

- **Notes:** Internal pull-ups are disabled on any given pin or group of port pins when programmed into output mode.

The Port 0 direction is reset to be input following an SMR.



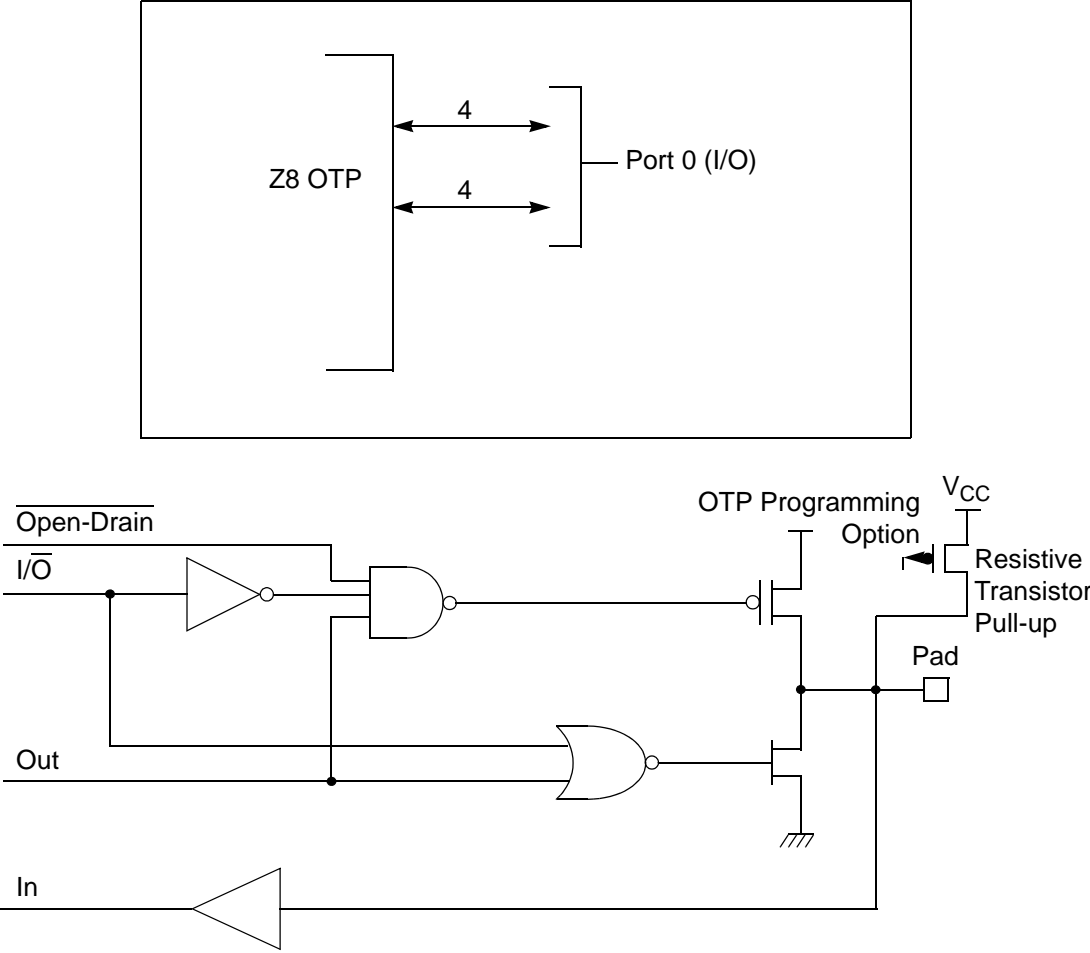


Figure 9. Port 0 Configuration

**Port 1 (P17–P10)**

Port 1 (see Figure 10) Port 1 can be configured for standard port input or output mode. After POR or stop mode recovery, Port 1 is configured as an input port. The output drivers are either push-pull or open-drain and are controlled by bit D1 in the PCON register.

► **Note:** The Port 1 direction is reset to be input following an SMR.

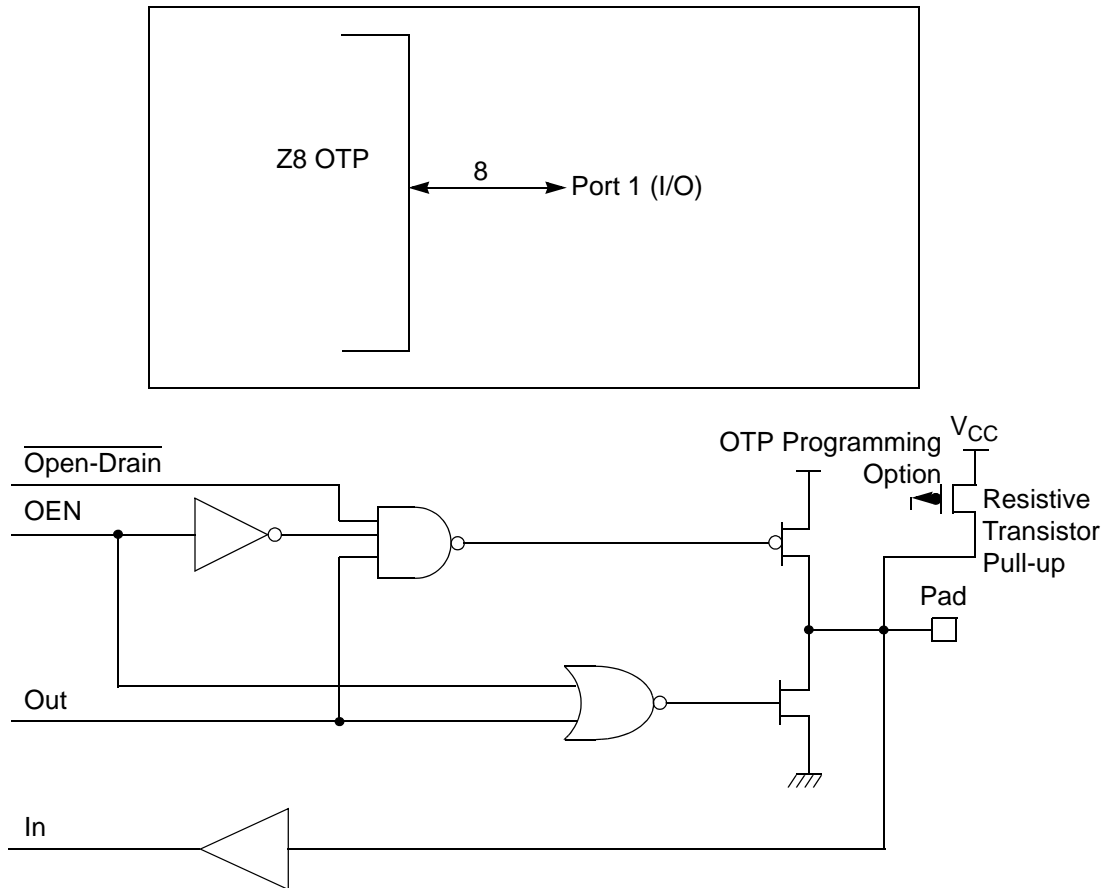


Figure 10. Port 1 Configuration

## Port 2 (P27–P20)

Port 2 is an 8-bit, bidirectional, CMOS-compatible I/O port (see Figure 11). These eight I/O lines can be independently configured under software control as inputs or outputs. Port 2 is always available for I/O operation. A EPROM option bit is available to connect eight pull-up transistors on this port. Bits programmed as outputs are globally programmed as either push-pull or open-drain. The POR resets with the eight bits of Port 2 configured as inputs.

Port 2 also has an 8-bit input OR and AND gate, which can be used to wake up the part. P20 can be programmed to access the edge-detection circuitry in demodulation mode.

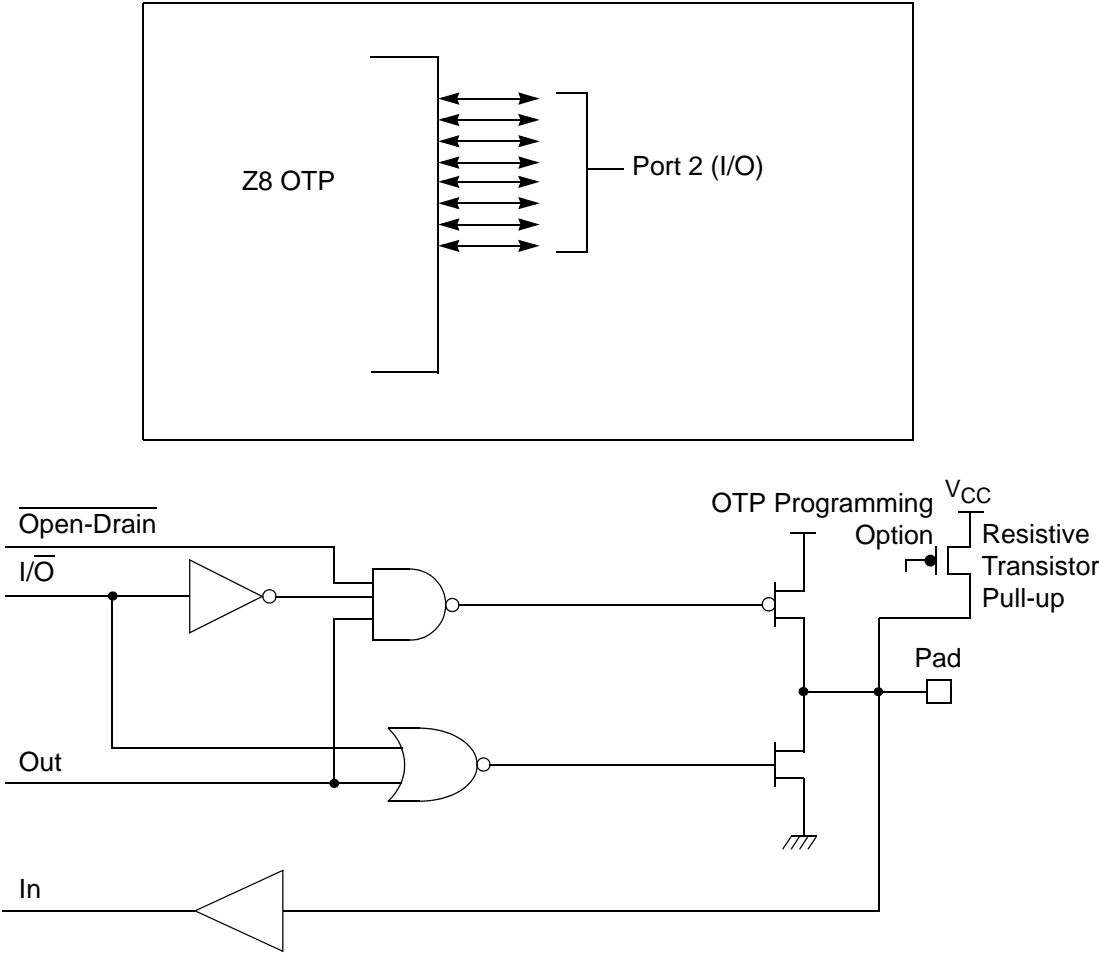
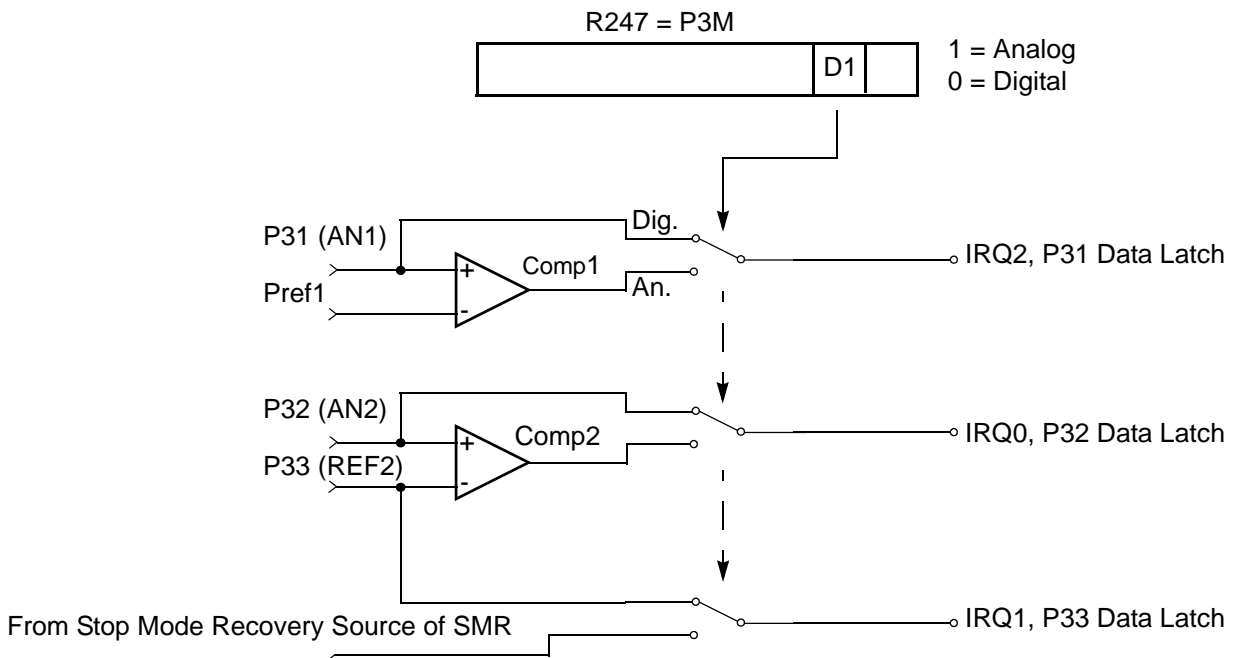
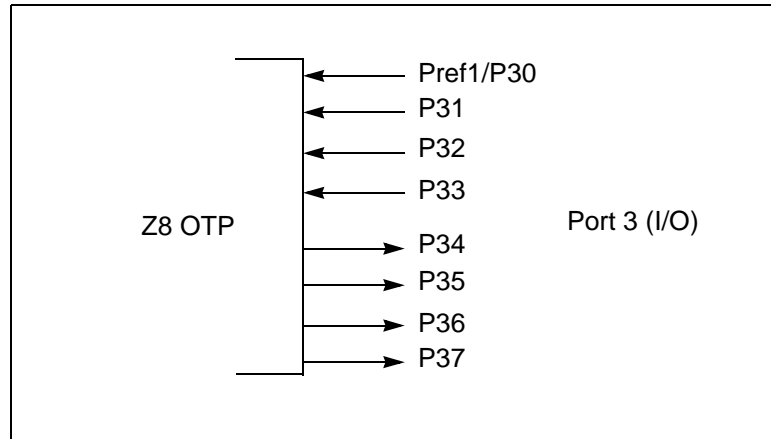


Figure 11. Port 2 Configuration

**Port 3 (P37–P30)**

Port 3 is a 8-bit, CMOS-compatible fixed I/O port (see Figure 12). Port 3 consists of four fixed input (P33–P30) and four fixed output (P37–P34), which can be configured under software control for interrupt and as output from the counter/timers. P30, P31, P32, and P33 are standard CMOS inputs; P34, P35, P36, and P37 are push-pull outputs.



**Figure 12. Port 3 Configuration**

Two on-board comparators process analog signals on P31 and P32, with reference to the voltage on Pref1 and P33. The analog function is enabled by programming the Port 3 Mode Register (bit 1). P31 and P32 are programmable as rising, falling, or both edge triggered interrupts (IRQ register bits 6 and 7). Pref1 and P33 are the comparator reference voltage inputs. Access to the Counter Timer edge-detection circuit is through P31 or P20 (see "T8 and T16 Common Functions—

CTR1(0D)01h” on page 34). Other edge detect and IRQ modes are described in Table 12.

- ▶ **Note:** Comparators are powered down by entering Stop Mode. For P31–P33 to be used in a Stop Mode Recovery (SMR) source, these inputs must be placed into digital mode.

**Table 12. Port 3 Pin Function Summary**

Pin	I/O	Counter/Timers	Comparator	Interrupt
Pref1/P30	IN		RF1	
P31	IN	IN	AN1	IRQ2
P32	IN		AN2	IRQ0
P33	IN		RF2	IRQ1
P34	OUT	T8	AO1	
P35	OUT	T16		
P36	OUT	T8/16		
P37	OUT		AO2	
P20	I/O	IN		

Port 3 also provides output for each of the counter/timers and the AND/OR Logic (see Figure 13). Control is performed by programming bits D5–D4 of CTR1, bit 0 of CTR0, and bit 0 of CTR2.

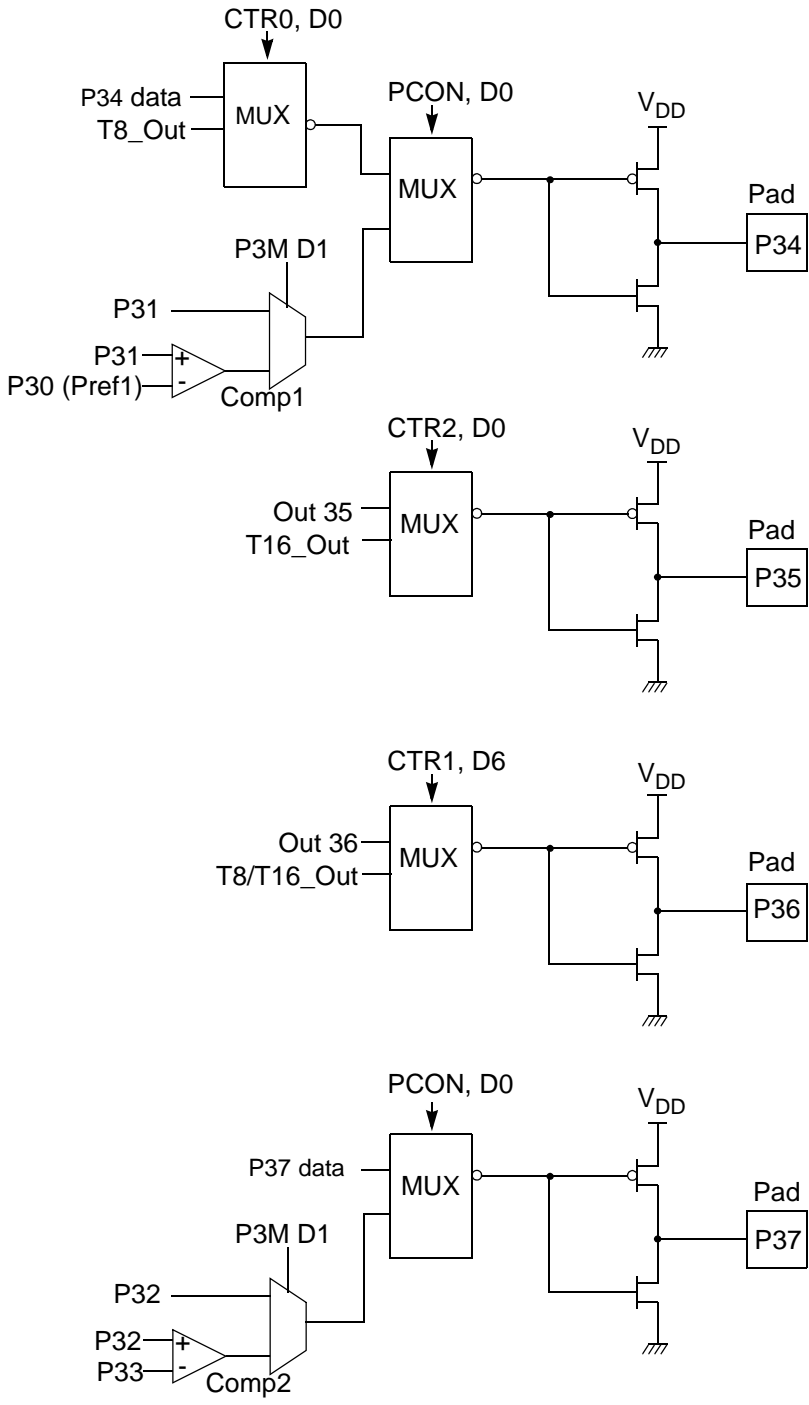


Figure 13. Port 3 Counter/Timer Output Configuration

### Comparator Inputs

In analog mode, P31 and P32 have a comparator front end. The comparator reference is supplied to P33 and Pref1. In this mode, the P33 internal data latch and its corresponding IRQ1 are diverted to the SMR sources (excluding P31, P32, and P33) as indicated in Figure 12 on page 21. In digital mode, P33 is used as D3 of the Port 3 input register, which then generates IRQ1.

- ▶ **Note:** Comparators are powered down by entering Stop Mode. For P31–P33 to be used in a Stop Mode Recovery source, these inputs must be placed into digital mode.

### Comparator Outputs

These channels can be programmed to be output on P34 and P37 through the PCON register.

## RESET (Input, Active Low)

Reset initializes the MCU and is accomplished either through Power-On, Watch-Dog Timer, Stop Mode Recovery, Low-Voltage detection, or external reset. During Power-On Reset and Watch-Dog Timer Reset, the internally generated reset drives the reset pin Low for the POR time. Any devices driving the external reset line must be open-drain to avoid damage from a possible conflict during reset conditions. Pull-up is provided internally.

When the Z8 GP ROM MCU asserts (Low) the RESET pin, the internal pull-up is disabled. The Z8 GP ROM MCU does not assert the RESET pin when under VBO.

- ▶ **Note:** The external Reset does not initiate an exit from STOP mode.

## Functional Description

This device incorporates special functions to enhance the Z8<sup>®</sup> functionality in consumer and battery-operated applications.

### Program Memory

This device addresses up to 32KB of OTP memory. The first 12 Bytes are reserved for interrupt vectors. These locations contain the six 16-bit vectors that correspond to the six available interrupts. See Figure 14.

### RAM

This device features 256B of RAM.

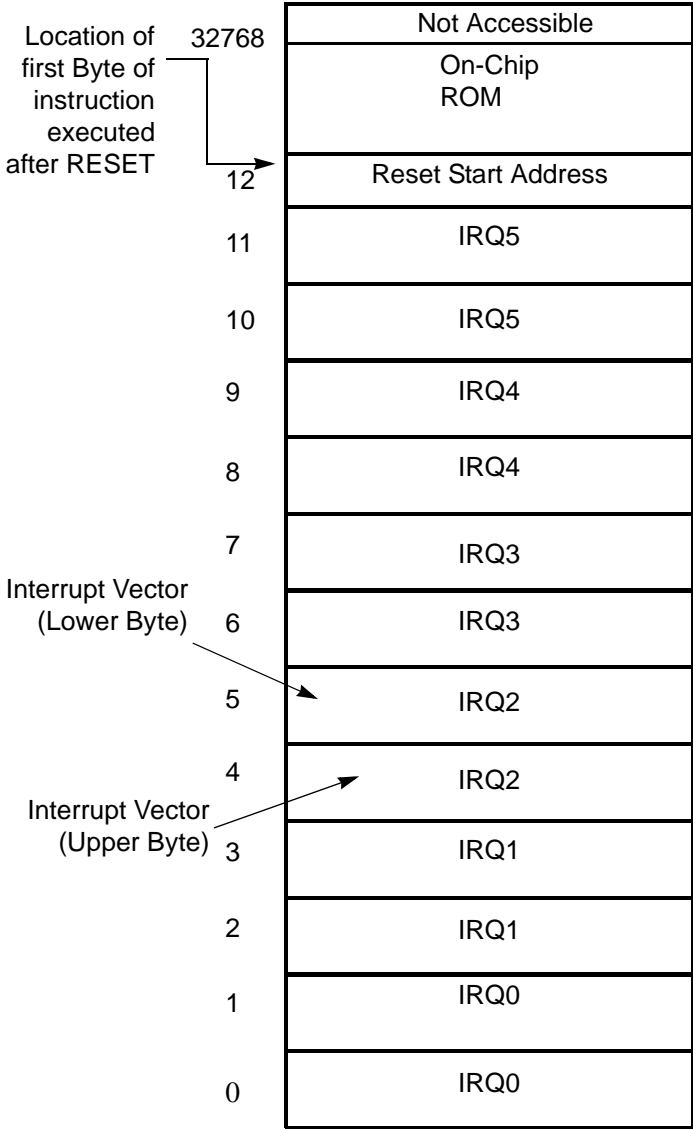


Figure 14. Program Memory Map (32K OTP)

### Expanded Register File

The register file has been expanded to allow for additional system control registers and for mapping of additional peripheral devices into the register address area. The Z8<sup>®</sup> register address space (R0 through R15) has been implemented as 16 banks, with 16 registers per bank. These register groups are known as the





ERF (Expanded Register File). Bits 7–4 of register RP select the working register group. Bits 3–0 of register RP select the expanded register file bank.

- ▶ **Note:** An expanded register bank is also referred to as an expanded register group (see Figure 15).

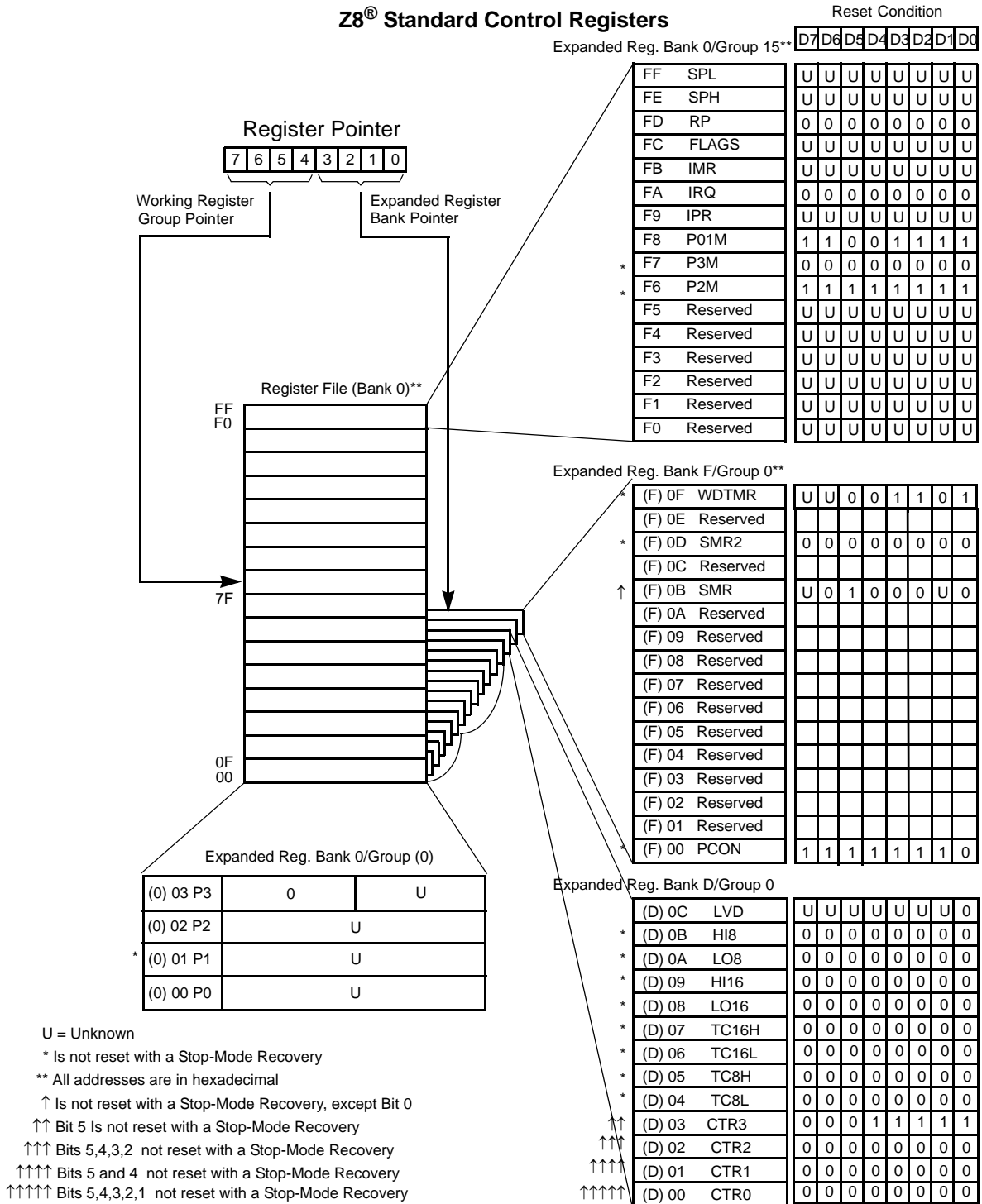
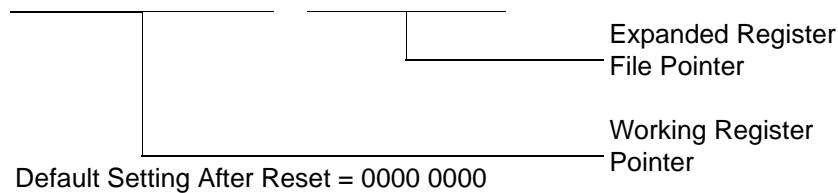


Figure 15. Expanded Register File Architecture

The upper nibble of the register pointer (see Figure 16) selects which working register group, of 16 bytes in the register file, is accessed out of the possible 256. The lower nibble selects the expanded register file bank and, in the case of the Z8 GP ROM MCU family, banks 0, F, and D are implemented. A 0h in the lower nibble allows the normal register file (bank 0) to be addressed. Any other value from 1h to Fh exchanges the lower 16 registers to an expanded register bank.

R253 RP

D7	D6	D5	D4	D3	D2	D1	D0
----	----	----	----	----	----	----	----



**Figure 16. Register Pointer**

**Example: Z8 GP ROM MCU: (See Figure 15 on page 27)**

R253 RP = 00h

R0 = Port 0

R1 = Port 1

R2 = Port 2

R3 = Port 3

But if:

R253 RP = 0Dh

R0 = CTR0

R1 = CTR1

R2 = CTR2

R3 = CTR3

The counter/timers are mapped into ERF group D. Access is easily performed using the following:

```

LD          RP, #0Dh          ; Select ERF D
for access to bank D

                                ; (working
register group 0)
LD          R0, #xx          ; load CTR0
LD          1, #xx          ; load CTR1
LD          R1, 2           ; CTR2→CTR1

LD          RP, #0Dh          ; Select ERF D
for access to bank D

                                ; (working
register group 0)
LD          RP, #7Dh          ; Select
expanded register bank D and working ; register
group 7 of bank 0 for access.
LD          71h, 2           ; CTRL2→register 71h
; CTRL2→register 71h
LD          R1, 2           ; CTRL2→register 71h
; CTRL2→register 71h

```

## Register File

The register file (bank 0) consists of 4 I/O port registers, 237 general-purpose registers, 16 control and status registers (R0–R3, R4–R239, and R240–R255, respectively), and two expanded registers groups in Banks D (see Table 13) and F. Instructions can access registers directly or indirectly through an 8-bit address field, thereby allowing a short, 4-bit register address to use the Register Pointer (Figure 17). In the 4-bit mode, the register file is divided into 16 working register groups, each occupying 16 continuous locations. The Register Pointer addresses the starting location of the active working register group.

- ▶ **Note:** Working register group E0–EF can only be accessed through working registers and indirect addressing modes.

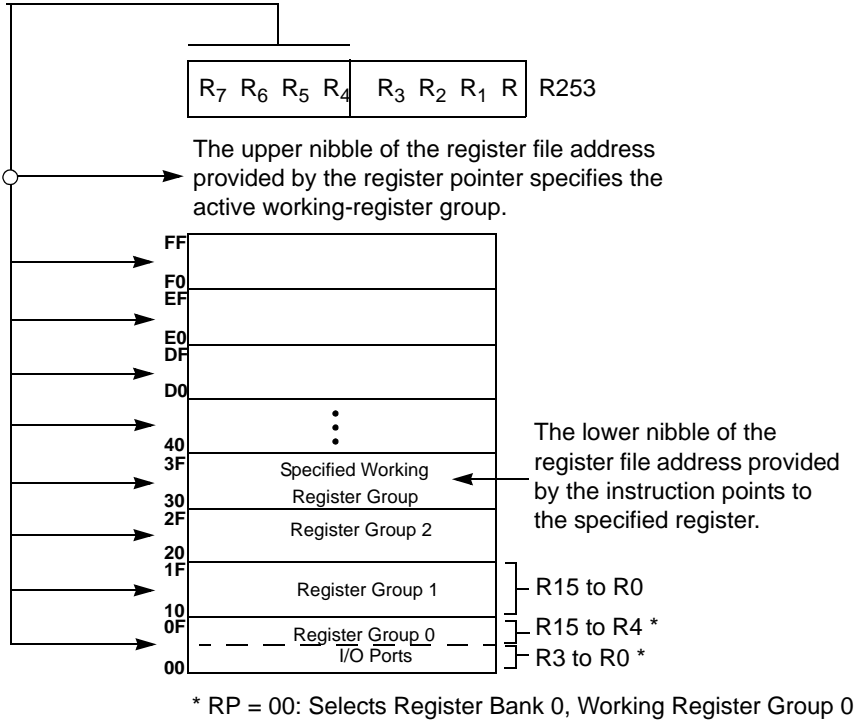


Figure 17. Register Pointer—Detail

**Stack**

The internal register file is used for the stack. An 8-bit Stack Pointer SPL (R255) is used for the internal stack that resides in the general-purpose registers (R4–R239). SPH (R254) can be used as a general-purpose register.

## Timers

### T8\_Capture\_HI—HI8(D)0Bh

This register holds the captured data from the output of the 8-bit Counter/Timer0. Typically, this register holds the number of counts when the input signal is 1.

Field	Bit Position		Description
T8_Capture_HI	[7:0]	R/W	Captured Data - No Effect

### T8\_Capture\_LO—L08(D)0Ah

This register holds the captured data from the output of the 8-bit Counter/Timer0. Typically, this register holds the number of counts when the input signal is 0.

Field	Bit Position		Description
T8_Capture_LO	[7:0]	R/W	Captured Data - No Effect

### T16\_Capture\_HI—HI16(D)09h

This register holds the captured data from the output of the 16-bit Counter/Timer16. This register holds the MS-Byte of the data.

Field	Bit Position		Description
T16_Capture_HI	[7:0]	R/W	Captured Data - No Effect

### T16\_Capture\_LO—L016(D)08h

This register holds the captured data from the output of the 16-bit Counter/Timer16. This register holds the LS-Byte of the data.

Field	Bit Position		Description
T16_Capture_LO	[7:0]	R/W	Captured Data - No Effect

### Counter/Timer2 MS-Byte Hold Register—TC16H(D)07h

Field	Bit Position		Description
T16_Data_HI	[7:0]	R/W	Data

### Counter/Timer2 LS-Byte Hold Register—TC16L(D)06h

Field	Bit Position		Description
T16_Data_LO	[7:0]	R/W	Data

### Counter/Timer8 High Hold Register—TC8H(D)05h

Field	Bit Position		Description
T8_Level_HI	[7:0]	R/W	Data

### Counter/Timer8 Low Hold Register—TC8L(D)04h

Field	Bit Position		Description
T8_Level_LO	[7:0]	R/W	Data

### CTR0 Counter/Timer8 Control Register—CTR0(D)00h

Table 13 lists and briefly describes the fields for this register.

**Table 13. CTR0(D)00h Counter/Timer8 Control Register**

Field	Bit Position		Value	Description
T8_Enable	7-----	R/W	0*	Counter Disabled
			1	Counter Enabled
			0	Stop Counter
			1	Enable Counter
Single/Modulo-N	-6-----	R/W	0*	Modulo-N
			1	Single Pass
Time_Out	--5-----	R/W	0**	No Counter Time-Out
			1	Counter Time-Out Occurred
			0	No Effect
			1	Reset Flag to 0
T8_Clock	---43---	R/W	0 0**	SCLK
			0 1	SCLK/2
			1 0	SCLK/4
			1 1	SCLK/8
Capture_INT_Mask	----2--	R/W	0**	Disable Data Capture Interrupt
			1	Enable Data Capture Interrupt

**Table 13. CTR0(D)00h Counter/Timer8 Control Register (Continued)**

Field	Bit Position		Value	Description
Counter_INT_Mask	-----1-	R/W	0** 1	Disable Time-Out Interrupt Enable Time-Out Interrupt
P34_Out	-----0	R/W	0* 1	P34 as Port Output T8 Output on P34

**Note:**

\*Indicates the value upon Power-On Reset.

\*\* Indicates the value upon Power -On Reset. Not reset with a Stop Mode recovery.

**T8 Enable**

This field enables T8 when set (written) to 1.

**Single/Modulo-N**

When set to 0 (Modulo-N), the counter reloads the initial value when the terminal count is reached. When set to 1 (single-pass), the counter stops when the terminal count is reached.

**Timeout**

This bit is set when T8 times out (terminal count reached). To reset this bit, write a 1 to its location.



**Caution:** Writing a 1 is the only way to reset the Terminal Count status condition. Reset this bit before using/enabling the counter/timers.

The first clock of T8 might not have complete clock width and can occur any time when enabled.



**Note:** Take care when using the OR or AND commands to manipulate CTR0, bit 5 and CTR1, bits 0 and 1 (Demodulation Mode). These instructions use a Read-Modify-Write sequence in which the current status from the CTR0 and CTR1 registers is ORed or ANDed with the designated value and then written back into the registers.

**T8 Clock**

These bits define the frequency of the input signal to T8.





### Capture\_INT\_Mask

Set this bit to allow an interrupt when data is captured into either LO8 or HI8 upon a positive or negative edge detection in demodulation mode.

### Counter\_INT\_Mask

Set this bit to allow an interrupt when T8 has a timeout.

### P34\_Out

This bit defines whether P34 is used as a normal output pin or the T8 output.

### T8 and T16 Common Functions—CTR1(0D)01h

This register controls the functions in common with the T8 and T16.

Table 14 lists and briefly describes the fields for this register.

**Table 14. CTR1(0D)01h T8 and T16 Common Functions**

Field	Bit Position		Value	Description
Mode	7-----	R/W	0*	Transmit Mode
			1	Demodulation Mode
P36_Out/ Demodulator_Input	-6-----	R/W	0*	Transmit Mode
			1	Port Output
			0*	T8/T16 Output
			1	Demodulation Mode
T8/T16_Logic/ Edge_Detect	--54----	R/W	0*	P31
			1	P20
			00**	Transmit Mode
			01	AND
			10	OR
			11	NOR
			00**	NAND
			01	Demodulation Mode
01	Falling Edge			
10	Rising Edge			
10	Both Edges			
11	Reserved			

**Table 14. CTR1(0D)01h T8 and T16 Common Functions (Continued)**

Field	Bit Position		Value	Description
Transmit_Submode/ Glitch_Filter	----32--	R/W	00*	Transmit Mode
			01	Normal Operation
		R	10	Ping-Pong Mode
			11	T16_Out = 0
		W	00*	T16_Out = 1
			01	Demodulation Mode
		R	10	No Filter
			11	4 SCLK Cycle
		W	00*	8 SCLK Cycle
			01	Reserved
Initial_T8_Out/ Rising Edge	-----1-	R/W	0*	Transmit Mode
			1	T8_OUT is 0 Initially
		R	0*	T8_OUT is 1 Initially
			1	Demodulation Mode
		W	0	No Rising Edge
			1	Rising Edge Detected
		R	0	No Effect
			1	Reset Flag to 0
Initial_T16_Out/ Falling_Edge	-----0	R/W	0*	Transmit Mode
			1	T16_OUT is 0 Initially
		R	0*	T16_OUT is 1 Initially
			1	Demodulation Mode
		W	0	No Falling Edge
			1	Falling Edge Detected
		R	0	No Effect
			1	Reset Flag to 0

**Note:**

\*Default at Power-On Reset

\*\*Default at Power-On Reset. Not reset with a Stop Mode recovery.

**Mode**

If the result is 0, the counter/timers are in TRANSMIT mode; otherwise, they are in DEMODULATION mode.

**P36\_Out/Demodulator\_Input**

In TRANSMIT Mode, this bit defines whether P36 is used as a normal output pin or the combined output of T8 and T16.

In DEMODULATION Mode, this bit defines whether the input signal to the Counter/Timers is from P20 or P31.

If the input signal is from Port 31, a capture event may also generate an IRQ2 interrupt. To prevent generating an IRQ2, either disable the IRQ2 interrupt by clearing its IMR bit D2 or use P20 as the input.

### T8/T16\_Logic/Edge \_Detect

In TRANSMIT Mode, this field defines how the outputs of T8 and T16 are combined (AND, OR, NOR, NAND).

In DEMODULATION Mode, this field defines which edge should be detected by the edge detector.

### Transmit\_Submode/Glitch Filter

In Transmit Mode, this field defines whether T8 and T16 are in the PING-PONG mode or in independent normal operation mode. Setting this field to “NORMAL OPERATION Mode” terminates the “PING-PONG Mode” operation. When set to 10, T16 is immediately forced to a 0; a setting of 11 forces T16 to output a 1.

In DEMODULATION Mode, this field defines the width of the glitch that must be filtered out.

### Initial\_T8\_Out/Rising\_Edge

In TRANSMIT Mode, if 0, the output of T8 is set to 0 when it starts to count. If 1, the output of T8 is set to 1 when it starts to count. When the counter is not enabled and this bit is set to 1 or 0, T8\_OUT is set to the opposite state of this bit. This ensures that when the clock is enabled, a transition occurs to the initial state set by CTR1, D1.

In DEMODULATION Mode, this bit is set to 1 when a rising edge is detected in the input signal. In order to reset the mode, a 1 should be written to this location.

### Initial\_T16 Out/Falling \_Edge

In TRANSMIT Mode, if it is 0, the output of T16 is set to 0 when it starts to count. If it is 1, the output of T16 is set to 1 when it starts to count. This bit is effective only in Normal or PING-PONG Mode (CTR1, D3; D2). When the counter is not enabled and this bit is set, T16\_OUT is set to the opposite state of this bit. This ensures that when the clock is enabled, a transition occurs to the initial state set by CTR1, D0.

In DEMODULATION Mode, this bit is set to 1 when a falling edge is detected in the input signal. In order to reset it, a 1 should be written to this location.

- ▶ **Note:** Modifying CTR1 (D1 or D0) while the counters are enabled causes unpredictable output from T8/T16\_OUT.

### CTR2 Counter/Timer 16 Control Register—CTR2(D)02h

Table 15 lists and briefly describes the fields for this register.



**Table 15. CTR2(D)02h: Counter/Timer16 Control Register**

Field	Bit Position		Value	Description	
T16_Enable	7-----	R	0*	Counter Disabled	
			1	Counter Enabled	
		W	0	Stop Counter	
			1	Enable Counter	
Single/Modulo-N	-6-----	R/W	0*	Transmit Mode	
			1	Modulo-N	
				Single Pass	
			0	Demodulation Mode	
Time_Out	--5-----	R	0*	T16 Recognizes Edge	
			1	T16 Does Not Recognize Edge	
			W	0	No Counter Timeout
				1	Counter Timeout Occurred
T16_Clock	---43---	R/W	00**	No Effect	
			01	Reset Flag to 0	
			10	SCLK	
			11	SCLK/2	
Capture_INT_Mask	-----2--	R/W	0**	SCLK/4	
			1	SCLK/8	
Counter_INT_Mask	-----1-	R/W	0	Disable Data Capture Int.	
			1	Enable Data Capture Int.	
P35_Out	-----0	R/W	0*	Disable Timeout Int.	
			1	Enable Timeout Int.	

**Note:**

\*Indicates the value upon Power-On Reset.

\*\*Indicates the value upon Power-On Reset. Not reset with a Stop Mode recovery.

**T16\_Enable**

This field enables T16 when set to 1.

**Single/Modulo-N**

In TRANSMIT Mode, when set to 0, the counter reloads the initial value when it reaches the terminal count. When set to 1, the counter stops when the terminal count is reached.



In Demodulation Mode, when set to 0, T16 captures and reloads on detection of all the edges. When set to 1, T16 captures and detects on the first edge but ignores the subsequent edges. For details, see the description of T16 Demodulation Mode on page 46.

### Time\_Out

This bit is set when T16 times out (terminal count reached). To reset the bit, write a 1 to this location.

### T16\_Clock

This bit defines the frequency of the input signal to Counter/Timer16.

### Capture\_INT\_Mask

This bit is set to allow an interrupt when data is captured into LO16 and HI16.

### Counter\_INT\_Mask

Set this bit to allow an interrupt when T16 times out.

### P35\_Out

This bit defines whether P35 is used as a normal output pin or T16 output.

### CTR3 T8/T16 Control Register—CTR3(D)03h

Table 16 lists and briefly describes the fields for this register. This register allows the T<sub>8</sub> and T<sub>16</sub> counters to be synchronized.

**Table 16. CTR3 (D)03h: T8/T16 Control Register**

Field	Bit Position		Value	Description
T <sub>16</sub> Enable	7-----	R	0*	Counter Disabled
		R	1	Counter Enabled
		W	0	Stop Counter
		W	1	Enable Counter
T <sub>8</sub> Enable	-6-----	R	0*	Counter Disabled
		R	1	Counter Enabled
		W	0	Stop Counter
		W	1	Enable Counter
Sync Mode	--5-----	R/W	0**	Disable Sync Mode
			1	Enable Sync Mode

**Table 16. CTR3 (D)03h: T8/T16 Control Register (Continued)**

Field	Bit Position		Value	Description
Reserved	---43210	R	1	Always reads 11111
		W	x	No Effect

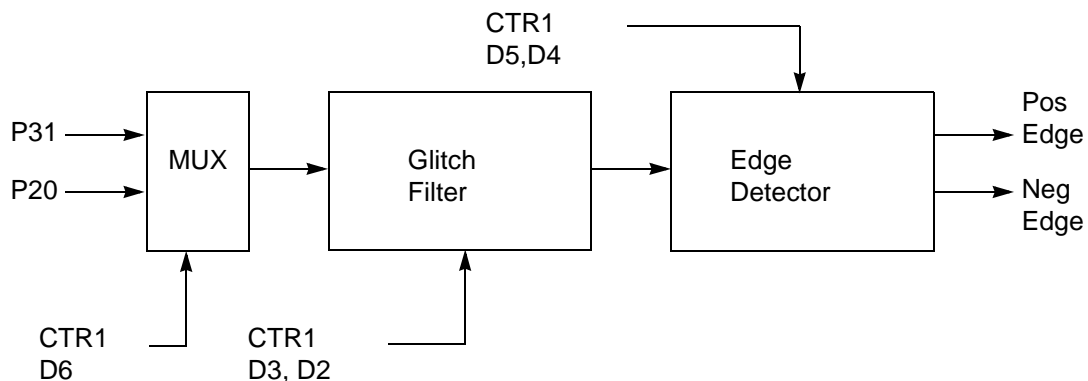
Note: \*Indicates the value upon Power-On Reset.

\*\*Indicates the value upon Power-On Reset. Not reset with a Stop Mode recovery.

## Counter/Timer Functional Blocks

### Input Circuit

The edge detector monitors the input signal on P31 or P20. Based on CTR1 D5–D4, a pulse is generated at the Pos Edge or Neg Edge line when an edge is detected. Glitches in the input signal that have a width less than specified (CTR1 D3, D2) are filtered out (see Figure 18).



**Figure 18. Glitch Filter Circuitry**

### T8 Transmit Mode

Before T8 is enabled, the output of T8 depends on CTR1, D1. If it is 0, T8\_OUT is 1; if it is 1, T8\_OUT is 0. See Figure 19.

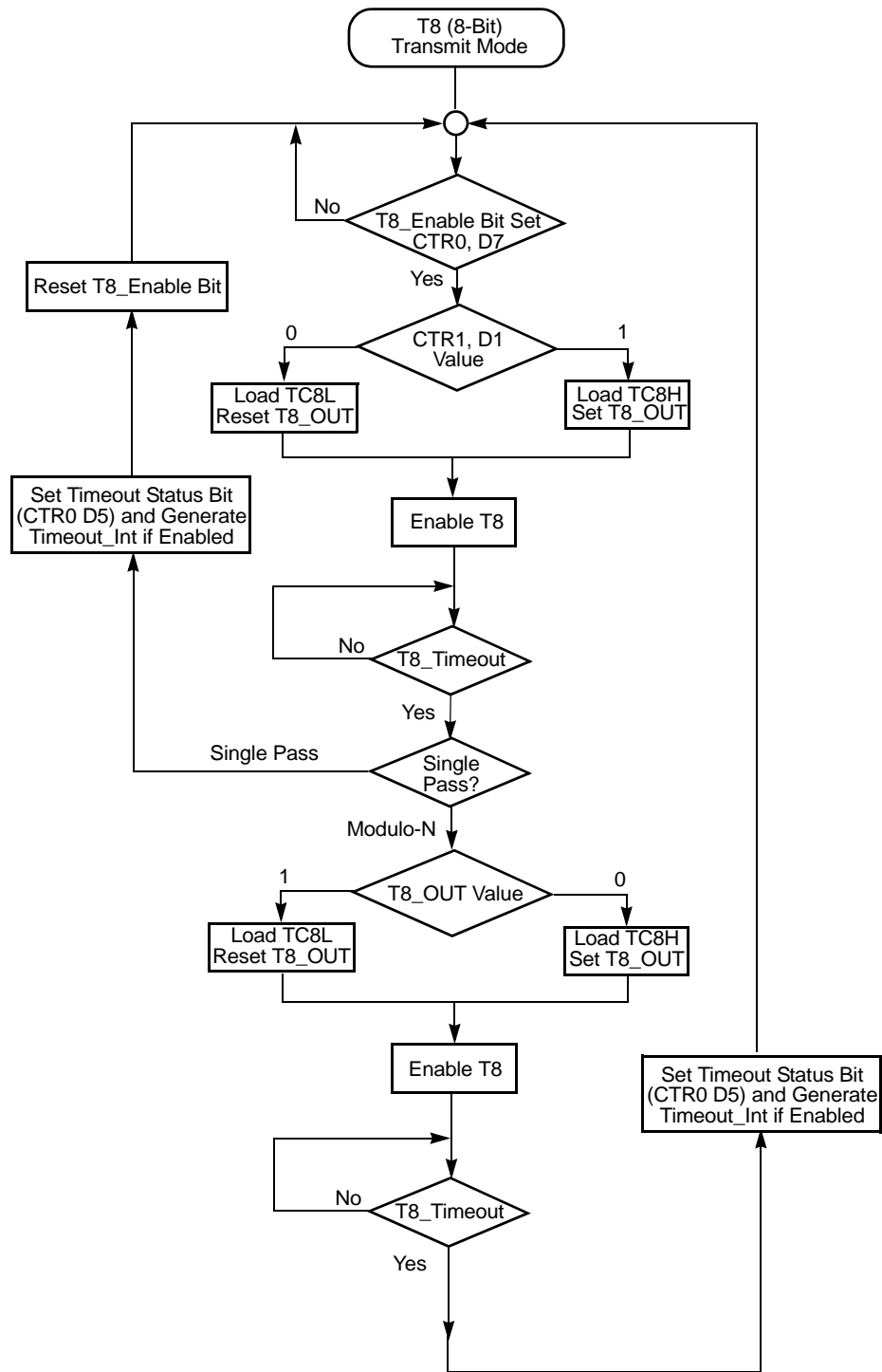


Figure 19. Transmit Mode Flowchart

When T8 is enabled, the output T8\_OUT switches to the initial value (CTR1, D1). If the initial value (CTR1, D1) is 0, TC8L is loaded; otherwise, TC8H is loaded into the counter. In SINGLE-PASS Mode (CTR0, D6), T8 counts down to 0 and stops, T8\_OUT toggles, the timeout status bit (CTR0, D5) is set, and a timeout interrupt can be generated if it is enabled (CTR0, D1). In Modulo-N Mode, upon reaching terminal count, T8\_OUT is toggled, but no interrupt is generated. From that point, T8 loads a new count (if the T8\_OUT level now is 0), TC8L is loaded; if it is 1, TC8H is loaded. T8 counts down to 0, toggles T8\_OUT, and sets the timeout status bit (CTR0, D5), thereby generating an interrupt if enabled (CTR0, D1). One cycle is thus completed. T8 then loads from TC8H or TC8L according to the T8\_OUT level and repeats the cycle. See Figure 20.

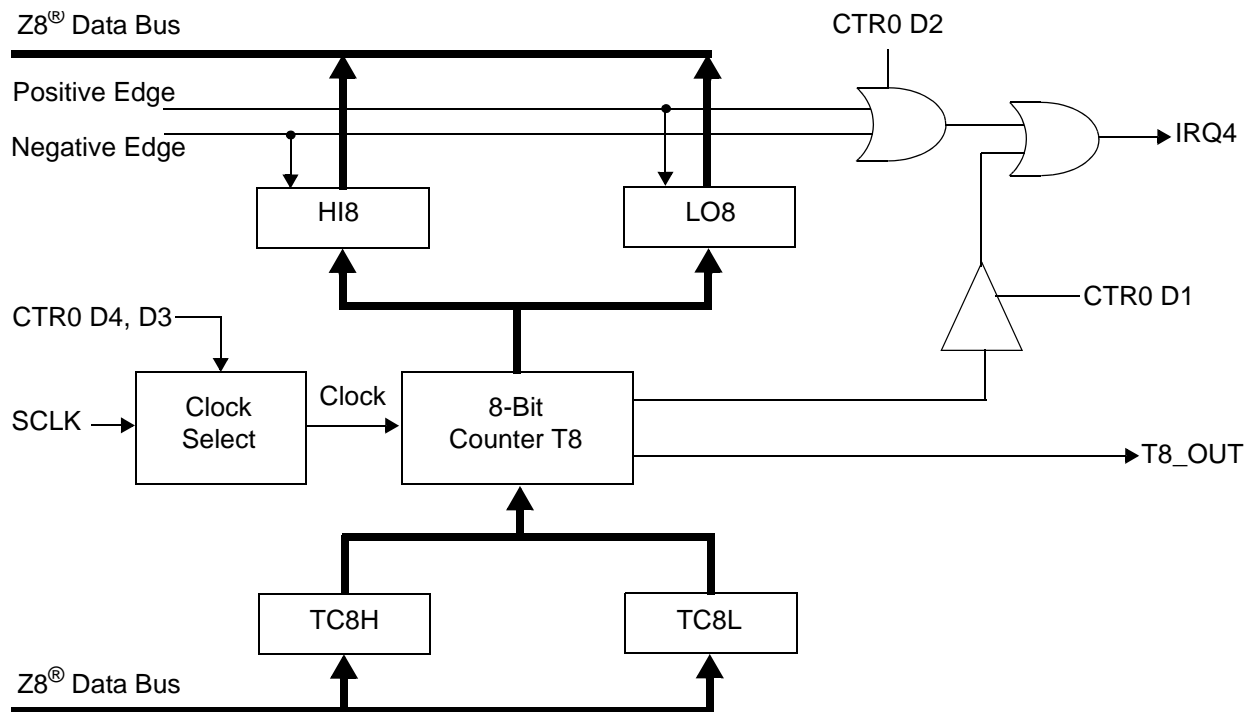


Figure 20. 8-Bit Counter/Timer Circuits

You can modify the values in TC8H or TC8L at any time. The new values take effect when they are loaded.



**Caution:** To ensure known operation do not write these registers at the time the values are to be loaded into the counter/timer. An initial count of 1 is not allowed (a non-function occurs). An initial count of 0 causes TC8 to count from 0 to FFh to FEh.



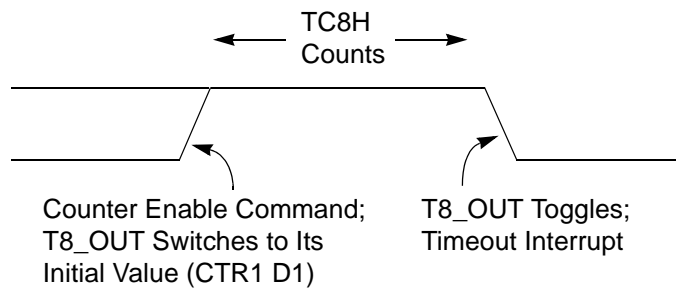
► **Note:** The letter *h* denotes hexadecimal values.

Transition from 0 to FF<sub>h</sub> is not a timeout condition.

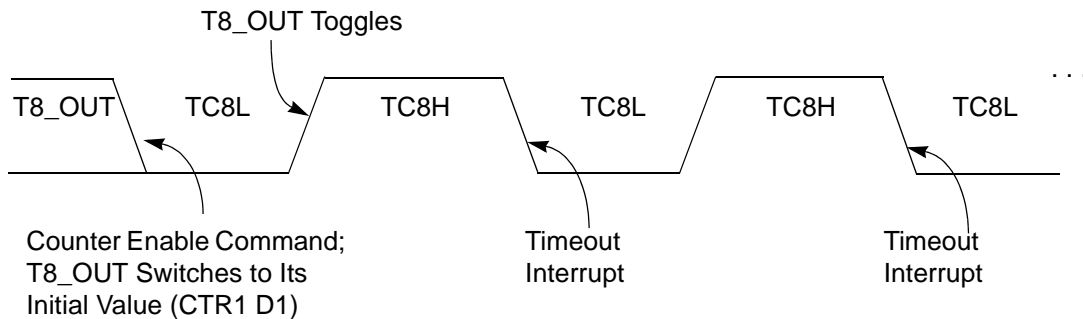


**Caution:** Using the same instructions for stopping the counter/timers and setting the status bits is not recommended.

Two successive commands are necessary. First, the counter/timers must be stopped. Second, the status bits must be reset. These commands are required because it takes one counter/timer clock interval for the initiated event to actually occur. See Figure 21 and Figure 22.



**Figure 21. T8\_OUT in Single-Pass Mode**



**Figure 22. T8\_OUT in Modulo-N Mode**

### T8 Demodulation Mode

The user must program TC8L and TC8H to FF<sub>h</sub>. After T8 is enabled, when the first edge (rising, falling, or both depending on CTR1, D5; D4) is detected, it starts to count down. When a subsequent edge (rising, falling, or both depending on CTR1, D5; D4) is detected during counting, the current value of T8 is complemented and put into one of the capture registers. If it is a positive edge, data is put



into LO8; if it is a negative edge, data is put into HI8. From that point, one of the edge detect status bits (CTR1, D1; D0) is set, and an interrupt can be generated if enabled (CTR0, D2). Meanwhile, T8 is loaded with FFh and starts counting again. If T8 reaches 0, the timeout status bit (CTR0, D5) is set, and an interrupt can be generated if enabled (CTR0, D1). T8 then continues counting from FFh (see Figure 23 and Figure 24).

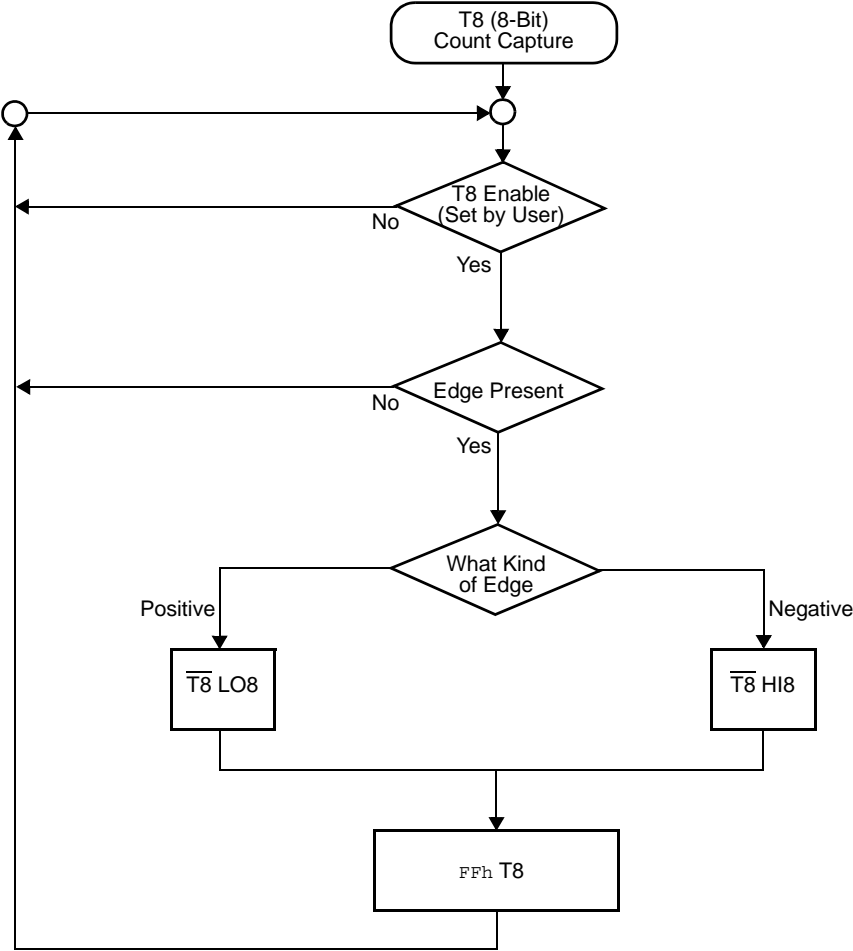


Figure 23. Demodulation Mode Count Capture Flowchart

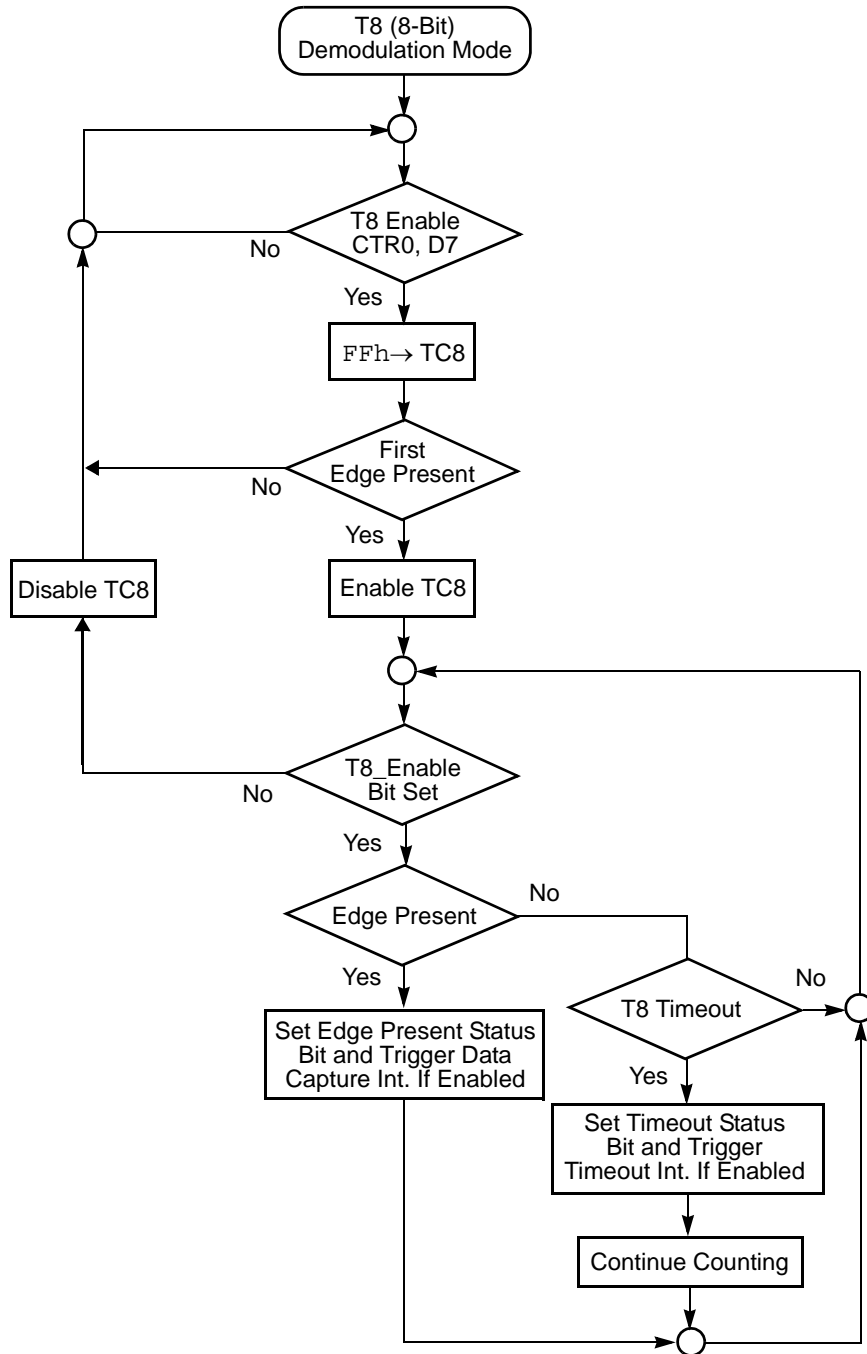


Figure 24. Demodulation Mode Flowchart

### T16 Transmit Mode

In NORMAL or PING-PONG mode, the output of T16 when not enabled, is dependent on CTR1, D0. If it is a 0, T16\_OUT is a 1; if it is a 1, T16\_OUT is 0. You can force the output of T16 to either a 0 or 1 whether it is enabled or not by programming CTR1 D3; D2 to a 10 or 11.

When T16 is enabled, TC16H \* 256 + TC16L is loaded, and T16\_OUT is switched to its initial value (CTR1, D0). When T16 counts down to 0, T16\_OUT is toggled (in NORMAL or PING-PONG mode), an interrupt (CTR2, D1) is generated (if enabled), and a status bit (CTR2, D5) is set. See Figure 25.

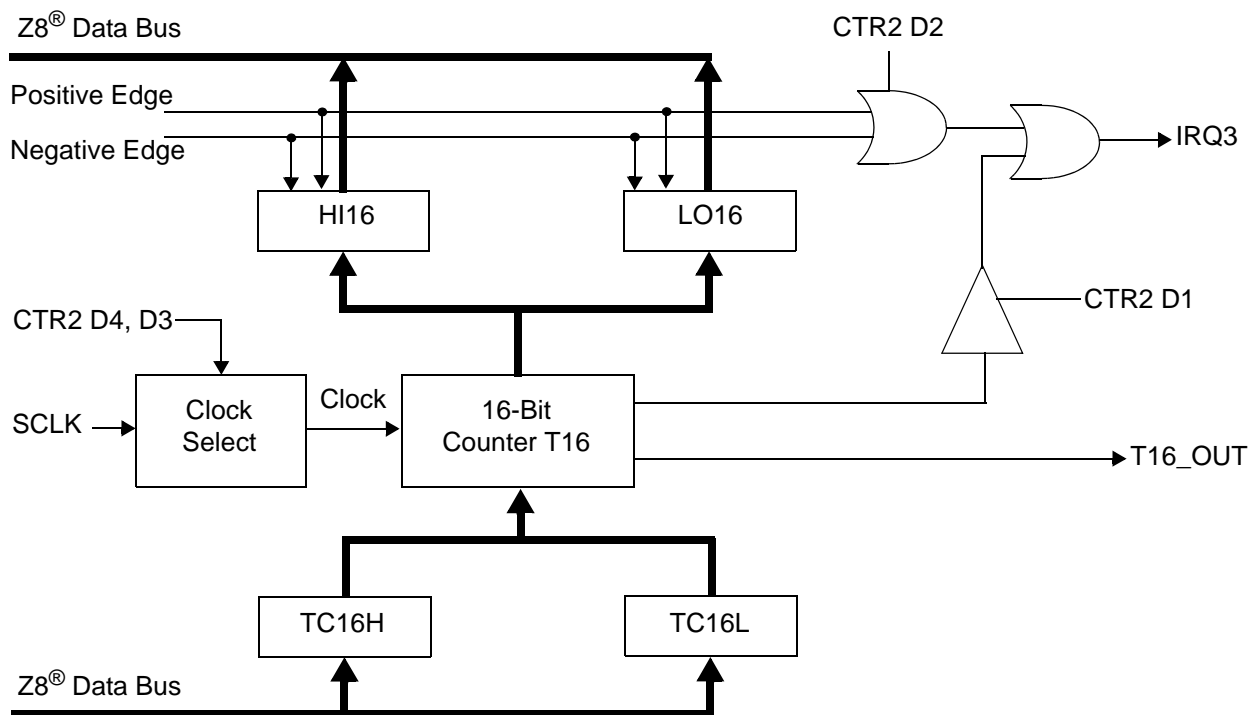


Figure 25. 16-Bit Counter/Timer Circuits

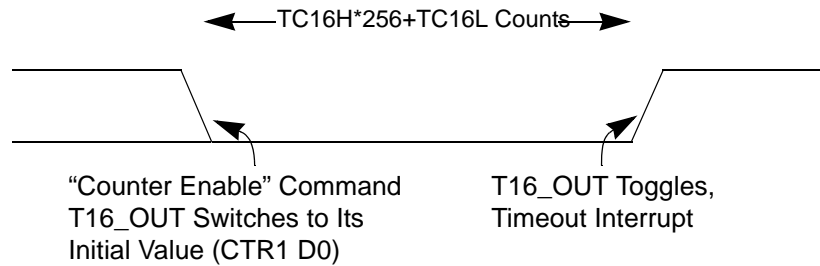
► **Note:** Global interrupts override this function as described in “Interrupts” on page 49.

If T16 is in SINGLE-PASS mode, it is stopped at this point (see Figure 26). If it is in Modulo-N Mode, it is loaded with TC16H \* 256 + TC16L, and the counting continues (see Figure 27).

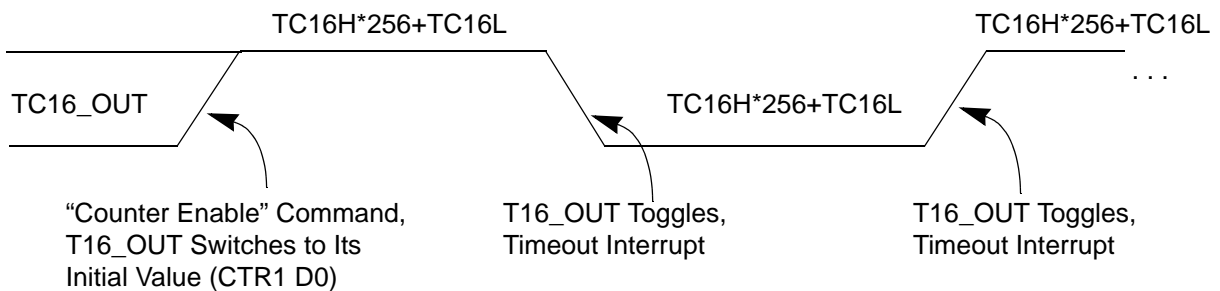
You can modify the values in TC16H and TC16L at any time. The new values take effect when they are loaded.



**Caution:** Do not load these registers at the time the values are to be loaded into the counter/timer to ensure known operation. An initial count of 1 is not allowed. An initial count of 0 causes T16 to count from 0 to `FFFFh` to `FFFEh`. Transition from 0 to `FFFFh` is not a timeout condition.



**Figure 26. T16\_OUT in Single-Pass Mode**



**Figure 27. T16\_OUT in Modulo-N Mode**

### T16 DEMODULATION Mode

The user must program TC16L and TC16H to `FFh`. After T16 is enabled, and the first edge (rising, falling, or both depending on CTR1 D5; D4) is detected, T16 captures HI16 and LO16, reloads, and begins counting.

#### If D6 of CTR2 Is 0

When a subsequent edge (rising, falling, or both depending on CTR1, D5; D4) is detected during counting, the current count in T16 is complemented and put into HI16 and LO16. When data is captured, one of the edge detect status bits (CTR1, D1; D0) is set, and an interrupt is generated if enabled (CTR2, D2). T16 is loaded with `FFFFh` and starts again.

This T16 mode is generally used to measure space time, the length of time between bursts of carrier signal (marks).

### If D6 of CTR2 Is 1

T16 ignores the subsequent edges in the input signal and continues counting down. A timeout of T8 causes T16 to capture its current value and generate an interrupt if enabled (CTR2, D2). In this case, T16 does not reload and continues counting. If the D6 bit of CTR2 is toggled (by writing a 0 then a 1 to it), T16 captures and reloads on the next edge (rising, falling, or both depending on CTR1, D5; D4), continuing to ignore subsequent edges.

This T16 mode generally measures mark time, the length of an active carrier signal burst.

If T16 reaches 0, T16 continues counting from `FFFFh`. Meanwhile, a status bit (CTR2 D5) is set, and an interrupt timeout can be generated if enabled (CTR2 D1).

### Ping-Pong Mode

This operation mode is only valid in TRANSMIT Mode. T8 and T16 must be programmed in Single-Pass mode (CTR0, D6; CTR2, D6), and Ping-Pong mode must be programmed in CTR1, D3; D2. The user can begin the operation by enabling either T8 or T16 (CTR0, D7 or CTR2, D7). For example, if T8 is enabled, T8\_OUT is set to this initial value (CTR1, D1). According to T8\_OUT's level, TC8H or TC8L is loaded into T8. After the terminal count is reached, T8 is disabled, and T16 is enabled. T16\_OUT then switches to its initial value (CTR1, D0), data from TC16H and TC16L is loaded, and T16 starts to count. After T16 reaches the terminal count, it stops, T8 is enabled again, repeating the entire cycle. Interrupts can be allowed when T8 or T16 reaches terminal control (CTR0, D1; CTR2, D1). To stop the ping-pong operation, write 00 to bits D3 and D2 of CTR1. See Figure 28.

- **Note:** Enabling ping-pong operation while the counter/timers are running might cause intermittent counter/timer function. Disable the counter/timers and reset the status flags before instituting this operation.

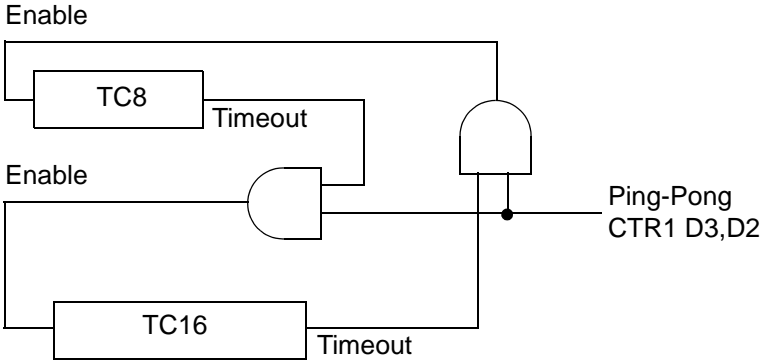


Figure 28. Ping-Pong Mode Diagram

**Initiating PING-PONG Mode**

First, make sure both counter/timers are not running. Set T8 into Single-Pass mode (CTR0, D6), set T16 into SINGLE-PASS mode (CTR2, D6), and set the Ping-Pong mode (CTR1, D2; D3). These instructions can be in random order. Finally, start PING-PONG mode by enabling either T8 (CTR0, D7) or T16 (CTR2, D7). See Figure 28.

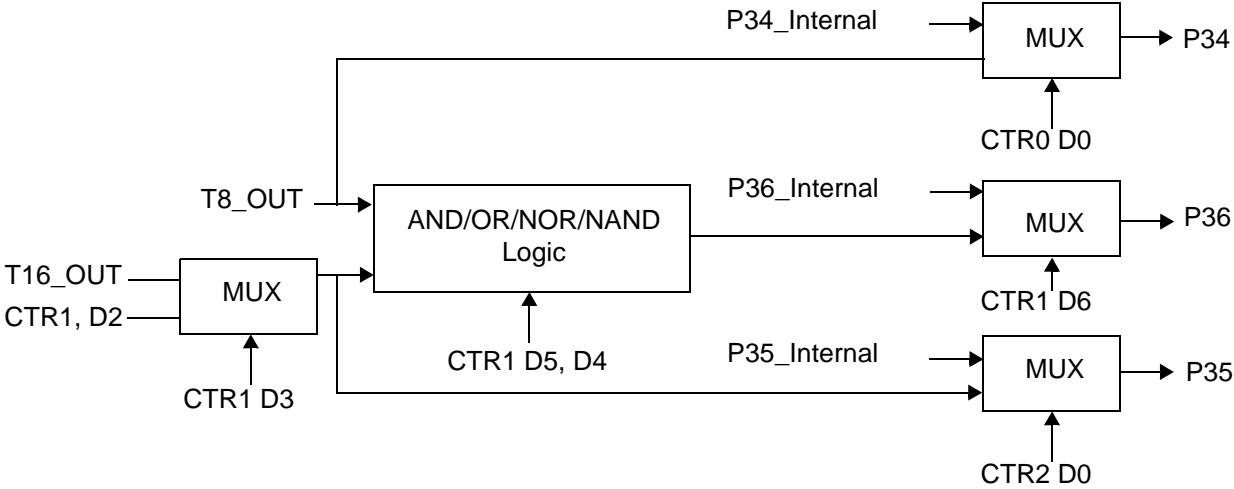


Figure 29. Output Circuit

The initial value of T8 or T16 must not be 1. If you stop the timer and restart the timer, reload the initial value to avoid an unknown previous value.

### During PING-PONG Mode

The enable bits of T8 and T16 (CTR0, D7; CTR2, D7) are set and cleared alternately by hardware. The timeout bits (CTR0, D5; CTR2, D5) are set every time the counter/timers reach the terminal count.

### Timer Output

The output logic for the timers is illustrated in Figure 29. P34 is used to output T8-OUT when D0 of CTR0 is set. P35 is used to output the value of T16-OUT when D0 of CTR2 is set. When D6 of CTR1 is set, P36 outputs the logic combination of T8-OUT and T16-OUT determined by D5 and D4 of CTR1.

## Interrupts

The Z8 GP ROM MCU features six different interrupts (Table 17). The interrupts are maskable and prioritized (Figure 30). The six sources are divided as follows: three sources are claimed by Port 3 lines P33–P31, two by the counter/timers (Table 17) and one for low voltage detection. The Interrupt Mask Register (globally or individually) enables or disables the six interrupt requests.

The source for IRQ is determined by bit 1 of the Port 3 mode register (P3M). When in digital mode, Pin P33 is the source. When in analog mode the output of the Stop mode recovery source logic is used as the source for the interrupt. See Figure 35, Stop Mode Recovery Source, on page 58.



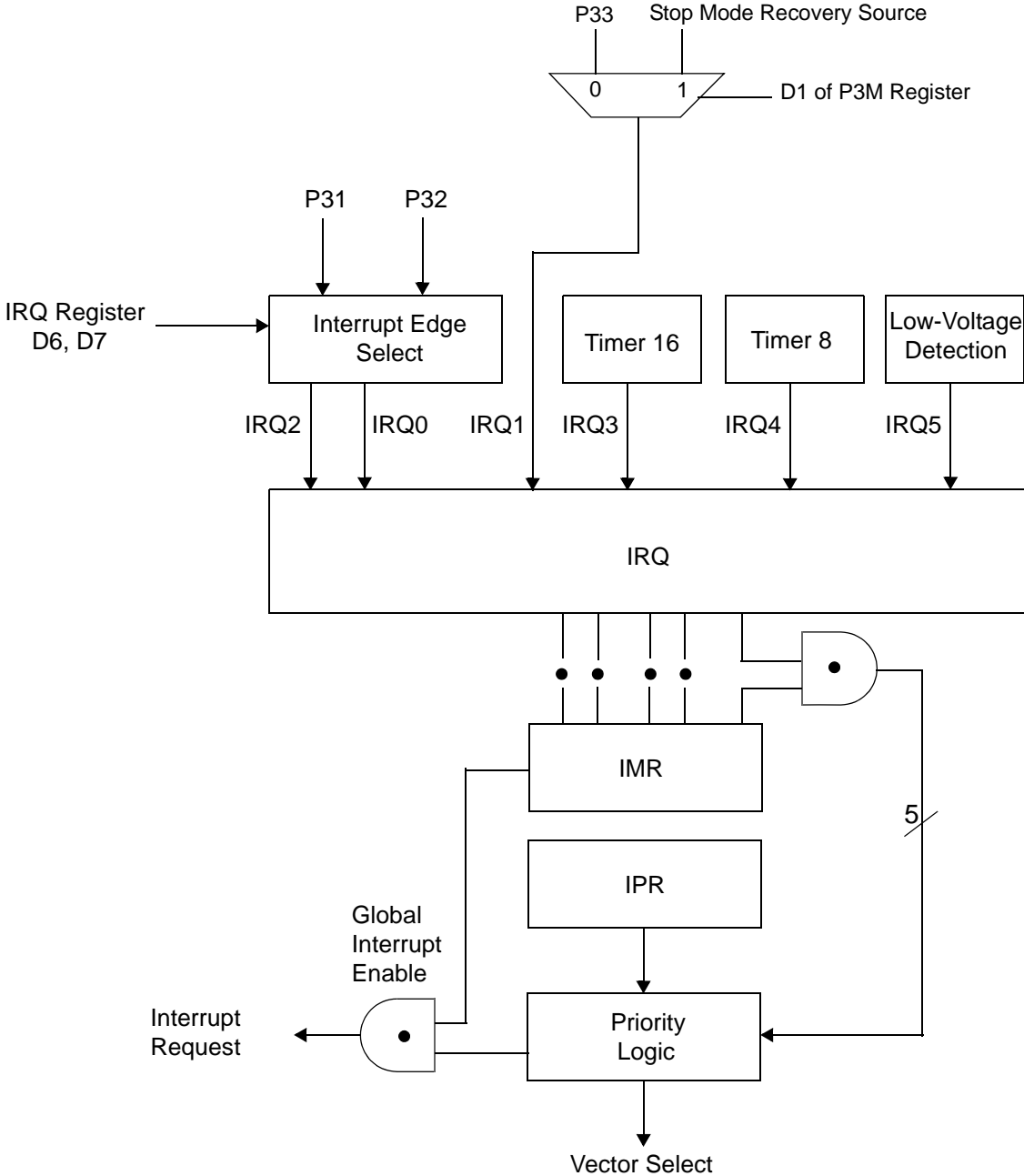


Figure 30. Interrupt Block Diagram

**Table 17. Interrupt Types, Sources, and Vectors**

Name	Source	Vector Location	Comments
IRQ0	P32	0,1	External (P32), Rising, Falling Edge Triggered
IRQ1	P33	2,3	External (P33), Falling Edge Triggered
IRQ2	P31, T <sub>IN</sub>	4,5	External (P31), Rising, Falling Edge Triggered
IRQ3	T16	6,7	Internal
IRQ4	T8	8,9	Internal
IRQ5	LVD	10,11	Internal

When more than one interrupt is pending, priorities are resolved by a programmable priority encoder controlled by the Interrupt Priority Register. An interrupt machine cycle activates when an interrupt request is granted. As a result, all subsequent interrupts are disabled, and the Program Counter and Status Flags are saved. The cycle then branches to the program memory vector location reserved for that interrupt. All Z8 GP ROM MCU interrupts are vectored through locations in the program memory. This memory location and the next byte contain the 16-bit address of the interrupt service routine for that particular interrupt request. To accommodate polled interrupt systems, interrupt inputs are masked, and the Interrupt Request register is polled to determine which of the interrupt requests require service.

An interrupt resulting from AN1 is mapped into IRQ2, and an interrupt from AN2 is mapped into IRQ0. Interrupts IRQ2 and IRQ0 can be rising, falling, or both edge triggered. These interrupts are programmable by the user. The software can poll to identify the state of the pin.

Programming bits for the Interrupt Edge Select are located in the IRQ Register (R250), bits D7 and D6. The configuration is indicated in Table 18.

**Table 18. IRQ Register**

IRQ		Interrupt Edge	
D7	D6	IRQ2 (P31)	IRQ0 (P32)
0	0	F	F
0	1	F	R
1	0	R	F
1	1	R/F	R/F

**Note:** F = Falling Edge; R = Rising Edge

## Clock

The device's on-chip oscillator has a high-gain, parallel-resonant amplifier, for connection to a crystal, ceramic resonator, or any suitable external clock source (XTAL1 = Input, XTAL2 = Output). The crystal must be AT cut, 1 MHz to 8 MHz maximum, with a series resistance (RS) less than or equal to 100  $\Omega$ . The on-chip oscillator can be driven with a suitable external clock source.

The crystal must be connected across XTAL1 and XTAL2 using the recommended capacitors (capacitance greater than or equal to 22 pF) from each pin to ground.

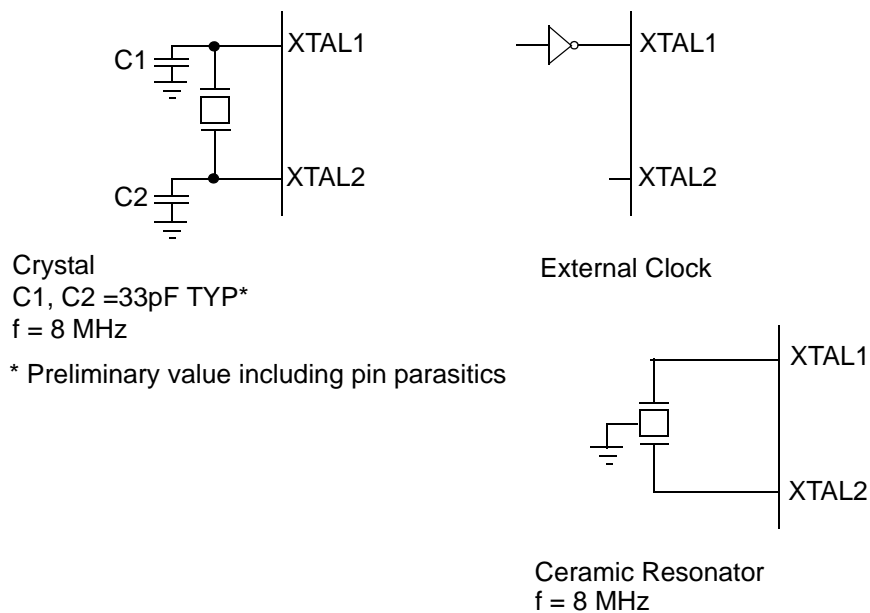


Figure 31. Oscillator Configuration

## Power-On Reset

A timer circuit clocked by a dedicated on-board RC-oscillator is used for the Power-On Reset (POR) timer function. The POR time allows  $V_{DD}$  and the oscillator circuit to stabilize before instruction execution begins.

The POR timer circuit is a one-shot timer triggered by one of three conditions:

- Power Fail to Power OK status, including Waking up from  $V_{BO}$  Standby
- Stop-Mode Recovery (if D5 of SMR = 1)
- WDT Timeout



The POR timer is 2.5 ms minimum. Bit 5 of the Stop-Mode Register determines whether the POR timer is bypassed after Stop-Mode Recovery (typical for external clock).

### **HALT Mode**

This instruction turns off the internal CPU clock, but not the XTAL oscillation. The counter/timers and external interrupts IRQ0, IRQ1, IRQ2, IRQ3, IRQ4, and IRQ5 remain active. The devices are recovered by interrupts, either externally or internally generated. An interrupt request must be executed (enabled) to exit HALT Mode. After the interrupt service routine, the program continues from the instruction after HALT Mode.

### **STOP Mode**

This instruction turns off the internal clock and external crystal oscillation, reducing the standby current to 10  $\mu$ A or less. STOP Mode is terminated only by a reset, such as WDT timeout, POR or SMR. This condition causes the processor to restart the application program at address 000Ch. To enter STOP (or HALT) mode, first flush the instruction pipeline to avoid suspending execution in mid-instruction. Execute a NOP (Opcode = FFh) immediately before the appropriate sleep instruction, as follows:

```

FF          NOP          ; clear the pipeline
6F          STOP         ; enter Stop Mode

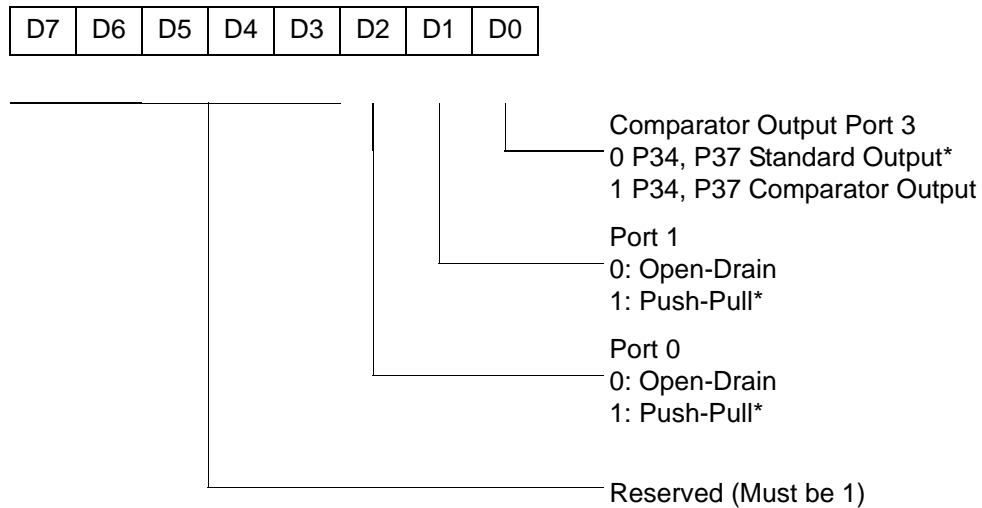
or

FF          NOP          ; clear the pipeline
7F          HALT         ; enter HALT Mode
    
```

### Port Configuration Register

The Port Configuration (PCON) register (Figure 32) configures the comparator output on Port 3. It is located in the expanded register 2 at Bank F, location 00.

PCON(FH)00h



\* Default setting after reset

**Figure 32. Port Configuration Register (PCON) (Write Only)**

#### Comparator Output Port 3 (D0)

Bit 0 controls the comparator used in Port 3. A 1 in this location brings the comparator outputs to P34 and P37, and a 0 releases the Port to its standard I/O configuration.

#### Port 1 Output Mode (D1)

Bit 1 controls the output mode of port 1. A 1 in this location sets the output to push-pull, and a 0 sets the output to open-drain.



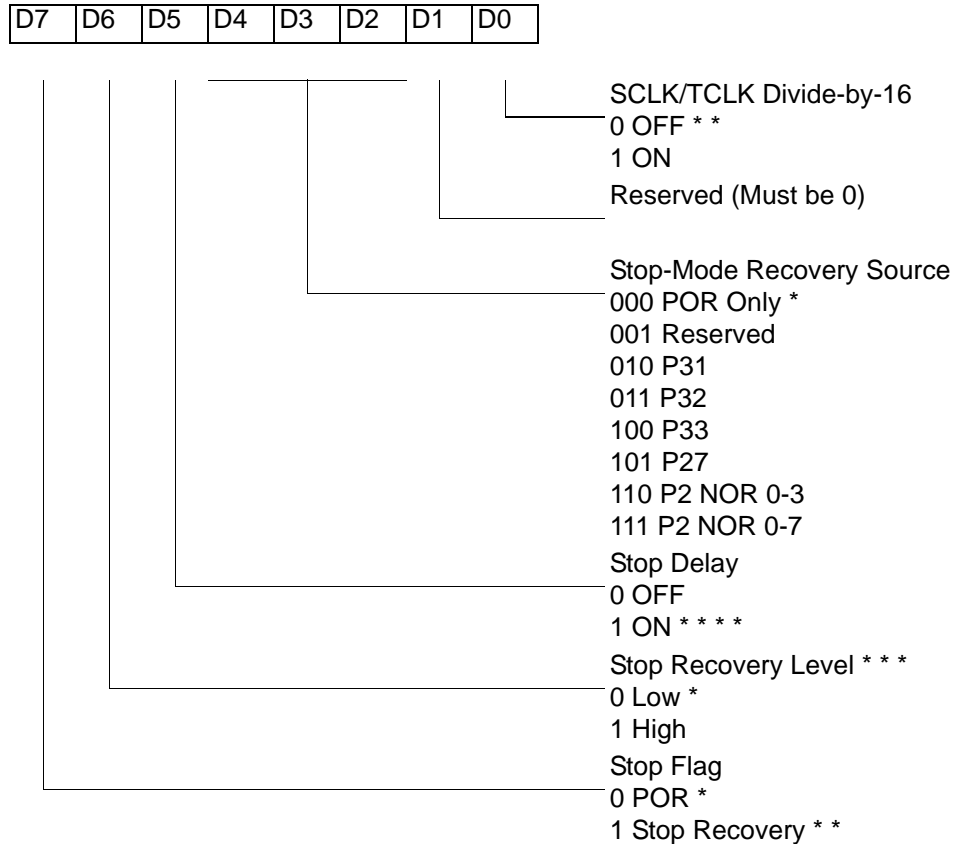
### Port 0 Output Mode (D2)

Bit 2 controls the output mode of port 0. A 1 in this location sets the output to push-pull, and a 0 sets the output to open-drain.

### Stop-Mode Recovery Register (SMR)

This register selects the clock divide value and determines the mode of Stop Mode Recovery (Figure 33). All bits are write only except bit 7, which is read only. Bit 7 is a flag bit that is hardware set on the condition of Stop recovery and reset by a power-on cycle. Bit 6 controls whether a low level or a high level at the XOR-gate input (Figure 35 on page 58) is required from the recovery source. Bit 5 controls the reset delay after recovery. Bits D2, D3, and D4 of the SMR register specify the source of the Stop-Mode Recovery signal. Bit D0 determines if SCLK/TCLK are divided by 16 or not. The SMR is located in Bank F of the Expanded Register Group at address 0Bh.

SMR(0F)0Bh



- \* Default after Power On Reset or Watch-Dog Reset
- \*\* Default setting after Reset and Stop Mode recovery.
- \*\*\* At the XOR gate input
- \*\*\*\* Default setting after reset. Must be 1 if using a crystal or resonator clock source.

**Figure 33. STOP Mode Recovery Register**

**SCLK/TCLK Divide-by-16 Select (D0)**

D0 of the SMR controls a divide-by-16 prescaler of SCLK/TCLK (Figure 34). This control selectively reduces device power consumption during normal processor execution (SCLK control) and/or Halt Mode (where TCLK sources interrupt logic). After Stop Mode Recovery, this bit is set to a 0.

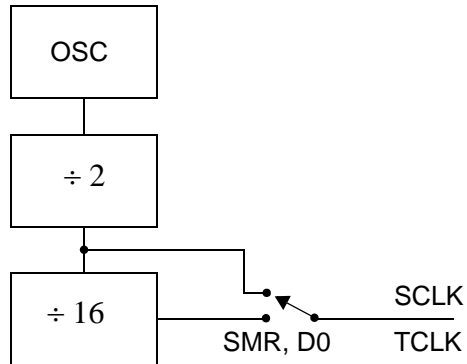


Figure 34. SCLK Circuit

### Stop-Mode Recovery Source (D2, D3, and D4)

These three bits of the SMR specify the wake-up source of the Stop recovery (Figure 35 and Table 20).

### Stop-Mode Recovery Register 2—SMR2(F)0Dh

Table 19 lists and briefly describes the fields for this register.

Table 19. SMR2(F)0Dh:Stop Mode Recovery Register 2\*

Field	Bit Position		Value	Description
Reserved	7-----		0	Reserved (Must be 0)
Recovery Level	-6-----	W	0 <sup>†</sup>	Low
			1	High
Reserved	--5-----		0	Reserved (Must be 0)
Source	---432--	W	000 <sup>†</sup>	A. POR Only
			001	B. NAND of P23–P20
			010	C. NAND of P27–P20
			011	D. NOR of P33–P31
			100	E. NAND of P33–P31
			101	F. NOR of P33–P31, P00, P07
			110	G. NAND of P33–P31, P00, P07
			111	H. NAND of P33–P31, P22–P20
Reserved	-----10		00	Reserved (Must be 0)

**Notes:**

\* Port pins configured as outputs are ignored as an SMR recovery source.

<sup>†</sup> Indicates the value upon Power-On Reset



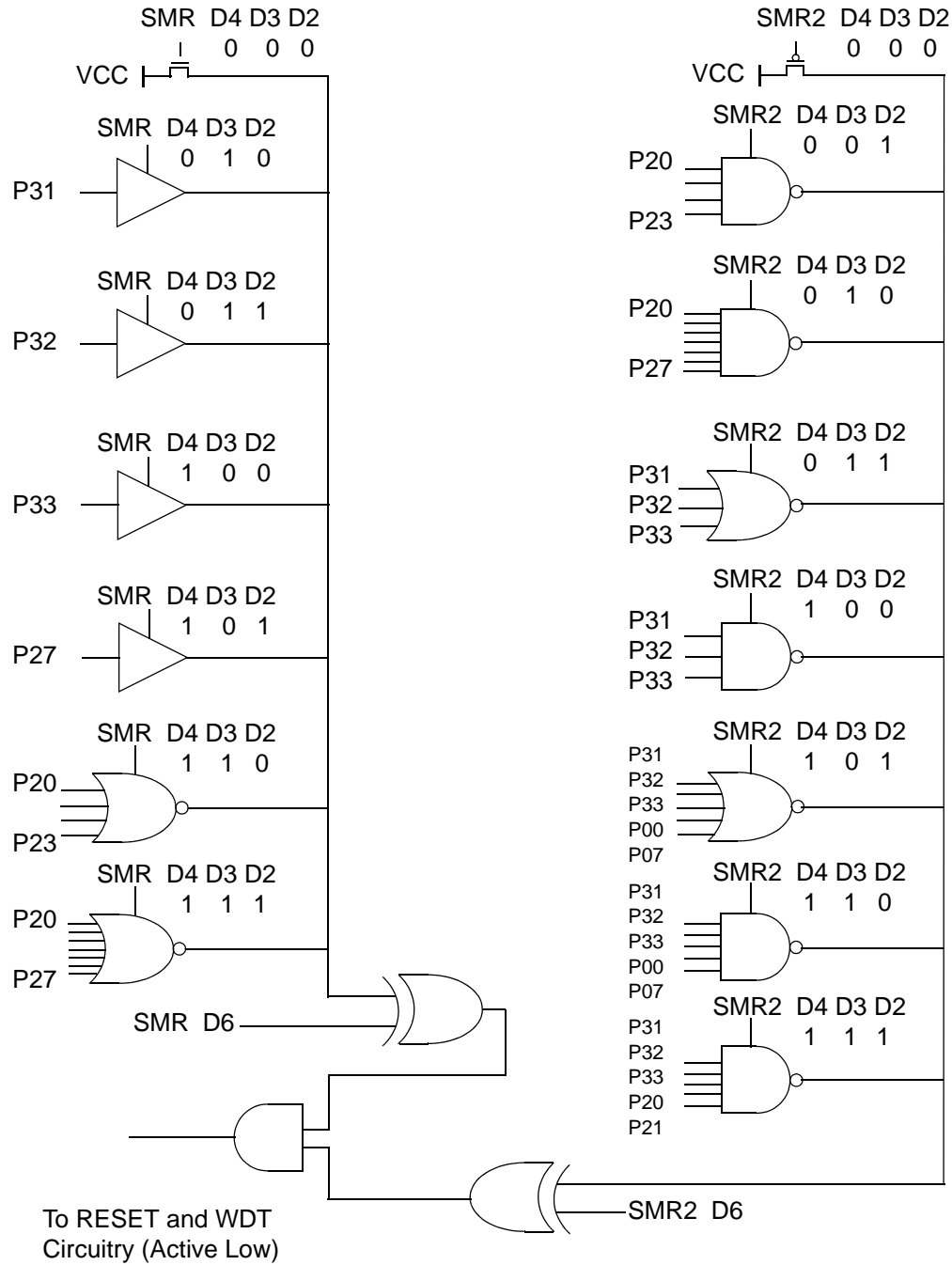


Figure 35. Stop Mode Recovery Source

**Table 20. Stop Mode Recovery Source**

SMR:432			Operation
D4	D3	D2	Description of Action
0	0	0	POR and/or external reset recovery
0	0	1	Reserved
0	1	0	P31 transition
0	1	1	P32 transition
1	0	0	P33 transition
1	0	1	P27 transition
1	1	0	Logical NOR of P20 through P23
1	1	1	Logical NOR of P20 through P27

- **Note:** Any Port 2 bit defined as an output drives the corresponding input to the default state. For example, if the NOR of P23-P20 is selected as the recovery source and P20 is configured as an output, the remaining SMR pins (P23-P21) form the NOR equation. This condition allows the remaining inputs to control the AND/OR function. Refer to SMR2 register on page 60 for other recover sources.

#### Stop Mode Recovery Delay Select (D5)

This bit, if low, disables the  $T_{POR}$  delay after Stop Mode Recovery. The default configuration of this bit is 1. If the “fast” wake up is selected, the Stop-Mode Recovery source must be kept active for at least 10  $T_pC$ .

- **Note:** This bit must be set to 1 if using a crystal or resonator clock source. The  $T_{POR}$  delay allows the clock source to stabilize before executing instructions.

#### Stop Mode Recovery Edge Select (D6)

A 1 in this bit position indicates that a High level on any one of the recovery sources wakes the Z8 GP ROM MCU from Stop Mode. A 0 indicates Low level recovery. The default is 0 on POR.

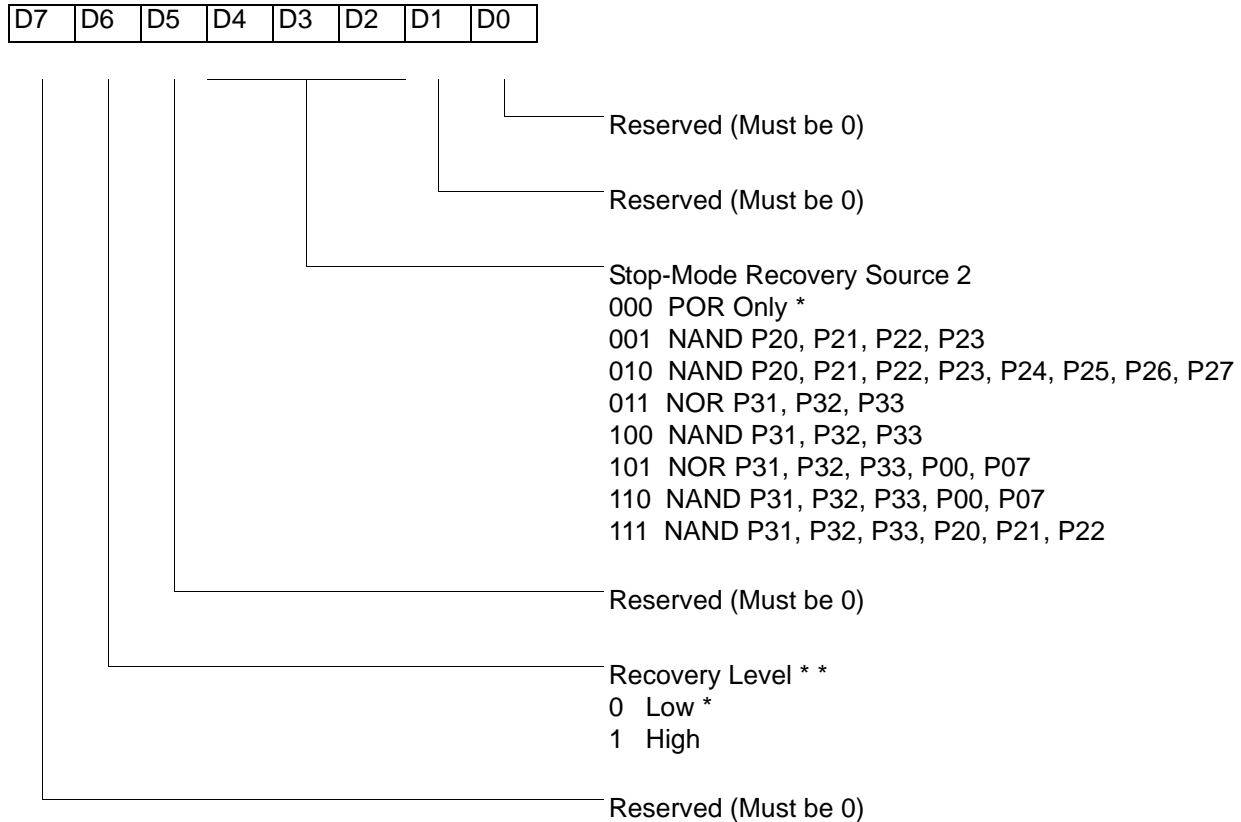
#### Cold or Warm Start (D7)

This bit is read only. It is set to 1 when the device is recovered from Stop Mode. The bit is set to 0 when the device reset is other than Stop Mode Recovery (SMR).

### Stop Mode Recovery Register 2 (SMR2)

This register determines the mode of Stop Mode Recovery for SMR2 (Figure 36).

SMR2(0F)Dh



Note: If used in conjunction with SMR, either of the two specified events causes a Stop-Mode Recovery.

\* Default setting after reset

\*\* At the XOR gate input

**Figure 36. Stop Mode Recovery Register 2 ((0F)DH:D2–D4, D6 Write Only)**

If SMR2 is used in conjunction with SMR, either of the specified events causes a Stop Mode Recovery.

- **Note:** Port pins configured as outputs are ignored as an SMR or SMR2 recovery source. For example, if the NAND or P23–P20 is selected as the recovery source and P20 is configured as an output, the remaining SMR pins (P23–P21) form the NAND equation.

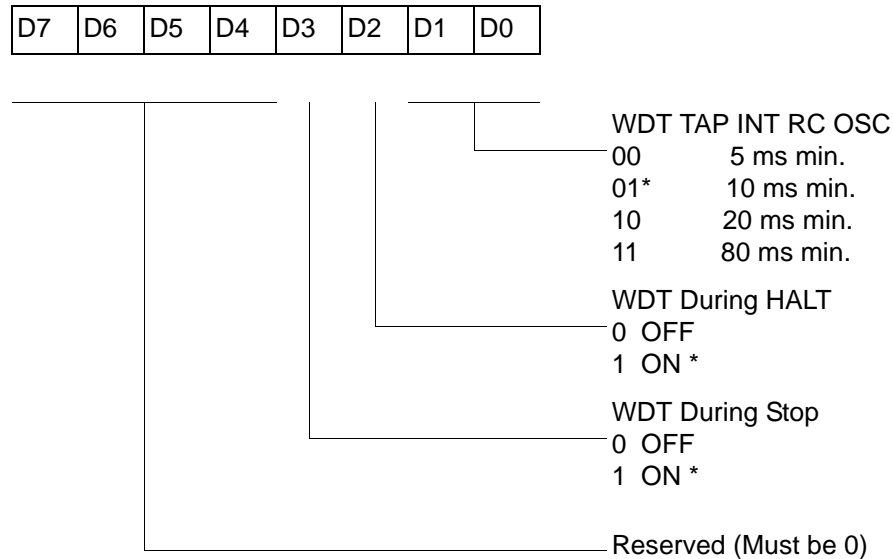


### Watch-Dog Timer Mode Register (WDTMR)

The Watch-Dog Timer (WDT) is a retriggerable one-shot timer that resets the Z8<sup>®</sup> if it reaches its terminal count. The WDT must initially be enabled by executing the WDT instruction. On subsequent executions of the WDT instruction, the WDT is refreshed. The WDT circuit is driven by an on-board RC-oscillator. The WDT instruction affects the Zero (Z), Sign (S), and Overflow (V) flags.

The POR clock source the internal RC-oscillator. Bits 0 and 1 of the WDT register control a tap circuit that determines the minimum timeout period. Bit 2 determines whether the WDT is active during HALT, and Bit 3 determines WDT activity during Stop. Bits 4 through 7 are reserved (Figure 37). This register is accessible only during the first 60 processor cycles (120 XTAL clocks) from the execution of the first instruction after Power-On-Reset, Watch-Dog Reset, or a Stop-Mode Recovery (Figure 36). After this point, the register cannot be modified by any means (intentional or otherwise). The WDTMR cannot be read. The register is located in Bank F of the Expanded Register Group at address location 0Fh. It is organized as shown in Figure 37.

WDTMR(0F)0Fh



\* Default setting after reset

**Figure 37. WATCH-DOG TIMER Mode Register (Write Only)**

#### WDT Time Select (D0, D1)

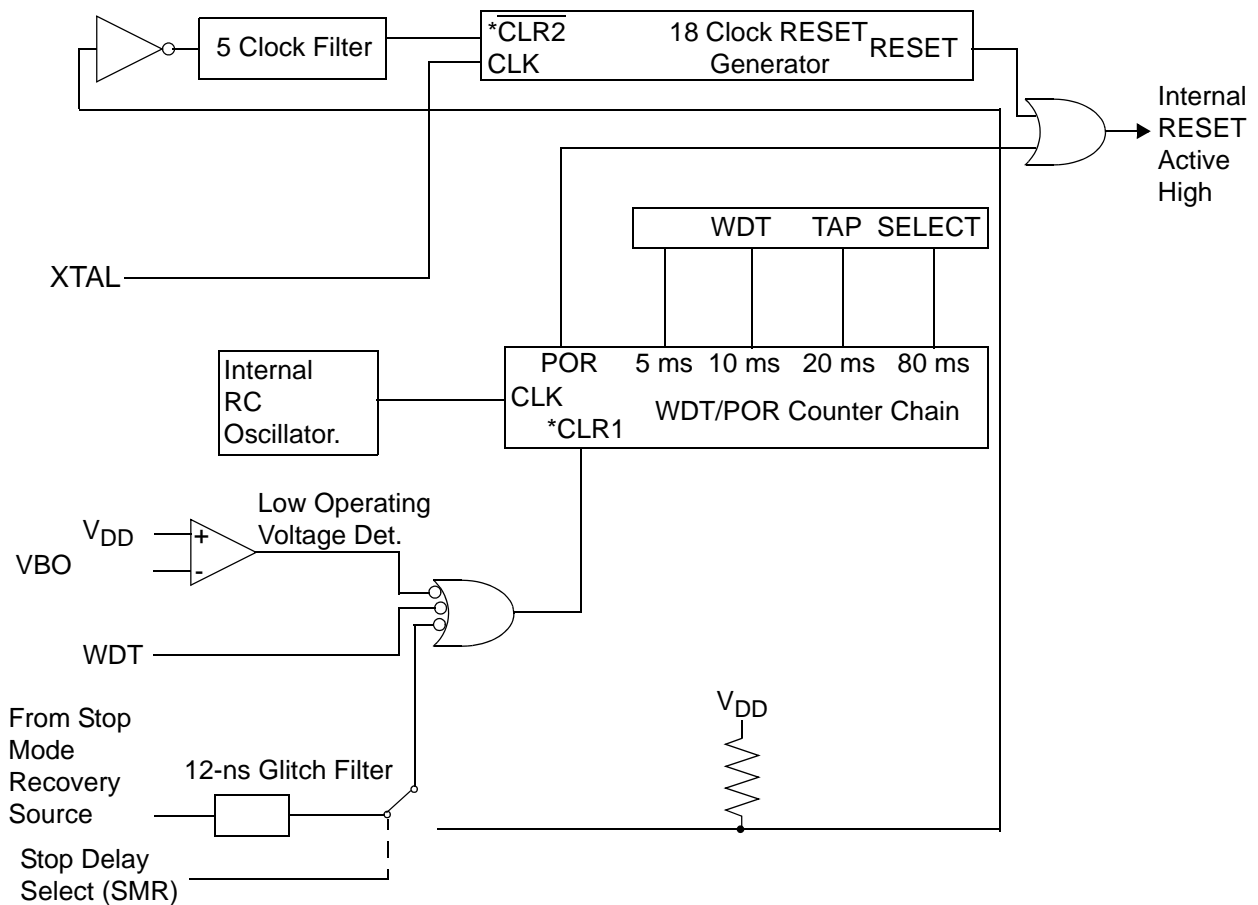
This bit selects the WDT time period. It is configured as indicated in Table 21.

**Table 21. Watch-Dog Timer Time Select**

D1	D0	Timeout of Internal RC-Oscillator
0	0	5ms min.
0	1	10ms min.
1	0	20ms min.
1	1	80ms min.

**WDTMR During Halt (D2)**

This bit determines whether or not the WDT is active during HALT Mode. A 1 indicates active during HALT. The default is 1. See Figure 38.



\* CLR1 and  $\overline{\text{CLR2}}$  enable the WDT/POR and 18 Clock Reset timers respectively upon a Low-to-High input translation.

**Figure 38. Resets and WDT****WDTMR During STOP (D3)**

This bit determines whether or not the WDT is active during STOP Mode. A 1 indicates active during Stop. The default is 1.

**Selectable Options**

There are six Selectable Options to choose from based on ROM code requirements. These are listed in Table 22.

**Table 22. Selectable Options**

Port 00–03 Pull-Ups	On/Off
Port 04–07 Pull-Ups	On/Off
Port 10–13 Pull-Ups	On/Off
Port 14–17 Pull-Ups	On/Off
Port 20–27 Pull-Ups	On/Off
Watch-Dog Timer at Power-On Reset	On/Off

**Voltage Brown-Out/Standby**

An on-chip Voltage Comparator checks that the  $V_{DD}$  is at the required level for correct operation of the device. Reset is globally driven when  $V_{DD}$  falls below  $V_{BO}$ . A small drop in  $V_{DD}$  causes the XTAL1 and XTAL2 circuitry to stop the crystal or resonator clock. If the  $V_{DD}$  is allowed to stay above  $V_{RAM}$ , the RAM content is preserved. When the power level is returned to above  $V_{BO}$ , the device performs a POR and functions normally.

### Low-Voltage Detection Register—LVD(D)0Ch

- **Note:** Voltage detection does not work at Stop mode. It must be disabled during Stop mode in order to reduce current.

Field	Bit Position			Description
LVD	76543---			Reserved No Effect
	----2--	R	1 0*	HVD flag set HVD flag reset
	-----1-	R	1 0*	LVD flag set LVD flag reset
	-----0	R/W	1 0*	Enable VD Disable VD

\*Default after POR

- **Note:** Do not modify register P01M while checking a low-voltage condition. Switching noise of both ports 0 and 1 together might trigger the LVD flag.

### Voltage Detection and Flags

The Voltage Detection register (LVD, register 0Ch at the expanded register bank 0Dh) offers an option of monitoring the  $V_{CC}$  voltage. The Voltage Detection is enabled when bit 0 of LVD register is set. Once Voltage Detection is enabled, the  $V_{CC}$  level is monitored in real time. The HVD flag (bit 2 of the LVD register) is set only if  $V_{CC}$  is higher than  $V_{HVD}$ . The LVD flag (bit 1 of the LVD register) is set only if  $V_{CC}$  is lower than the  $V_{LVD}$ . When Voltage Detection is enabled, the LVD flag also triggers IRQ5. The IRQ bit 5 latches the low voltage condition until it is cleared by instructions or reset. The IRQ5 interrupt is served if it is enabled in the IMR register. Otherwise, bit 5 of IRQ register is latched as a flag only.

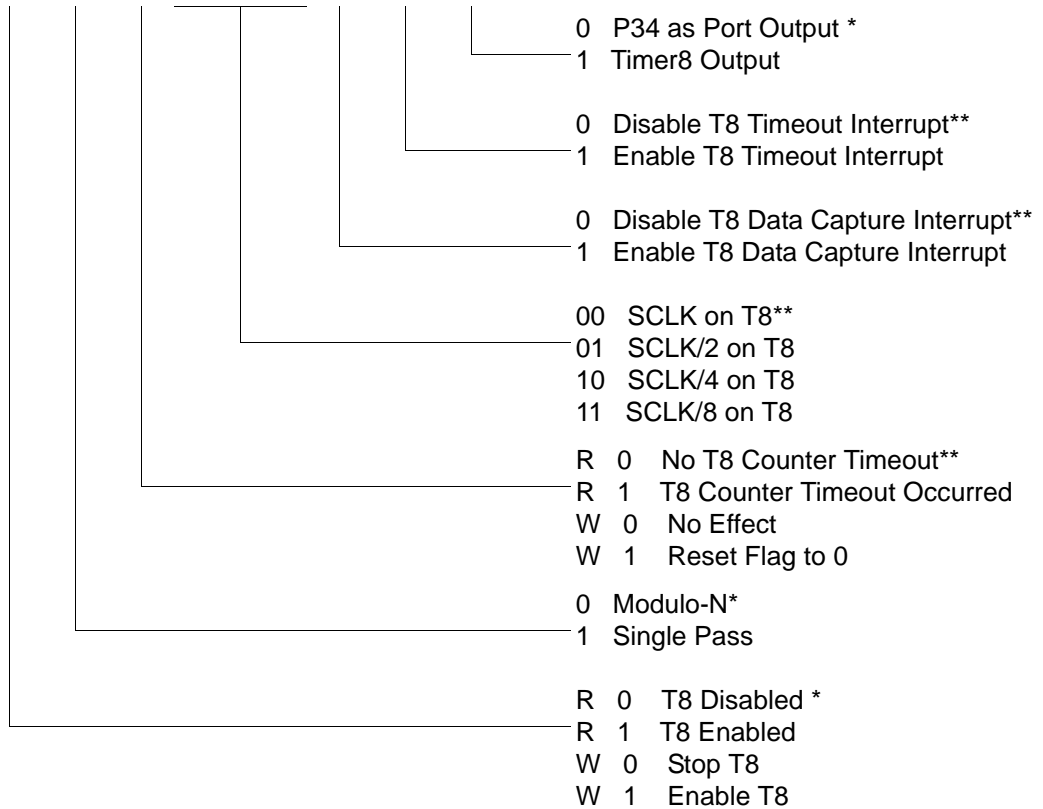
- **Note:** If it is necessary to receive an LVD interrupt upon power-up at an operating voltage lower than the low battery detect threshold, enable interrupts using the Enable Interrupt instruction (EI) prior to enabling the voltage detection.

## Expanded Register File Control Registers (0D)

The expanded register file control registers (0D) are depicted in Figure 39 through Figure 43.

CTR0(0D)00H

D7	D6	D5	D4	D3	D2	D1	D0
----	----	----	----	----	----	----	----



\* Default setting after reset.

\*\* Default setting after reset. Not reset with a Stop Mode recovery.

**Figure 39. TC8 Control Register ((0D)00H: Read/Write Except Where Noted)**



CTR1(0D)01H

D7	D6	D5	D4	D3	D2	D1	D0
----	----	----	----	----	----	----	----

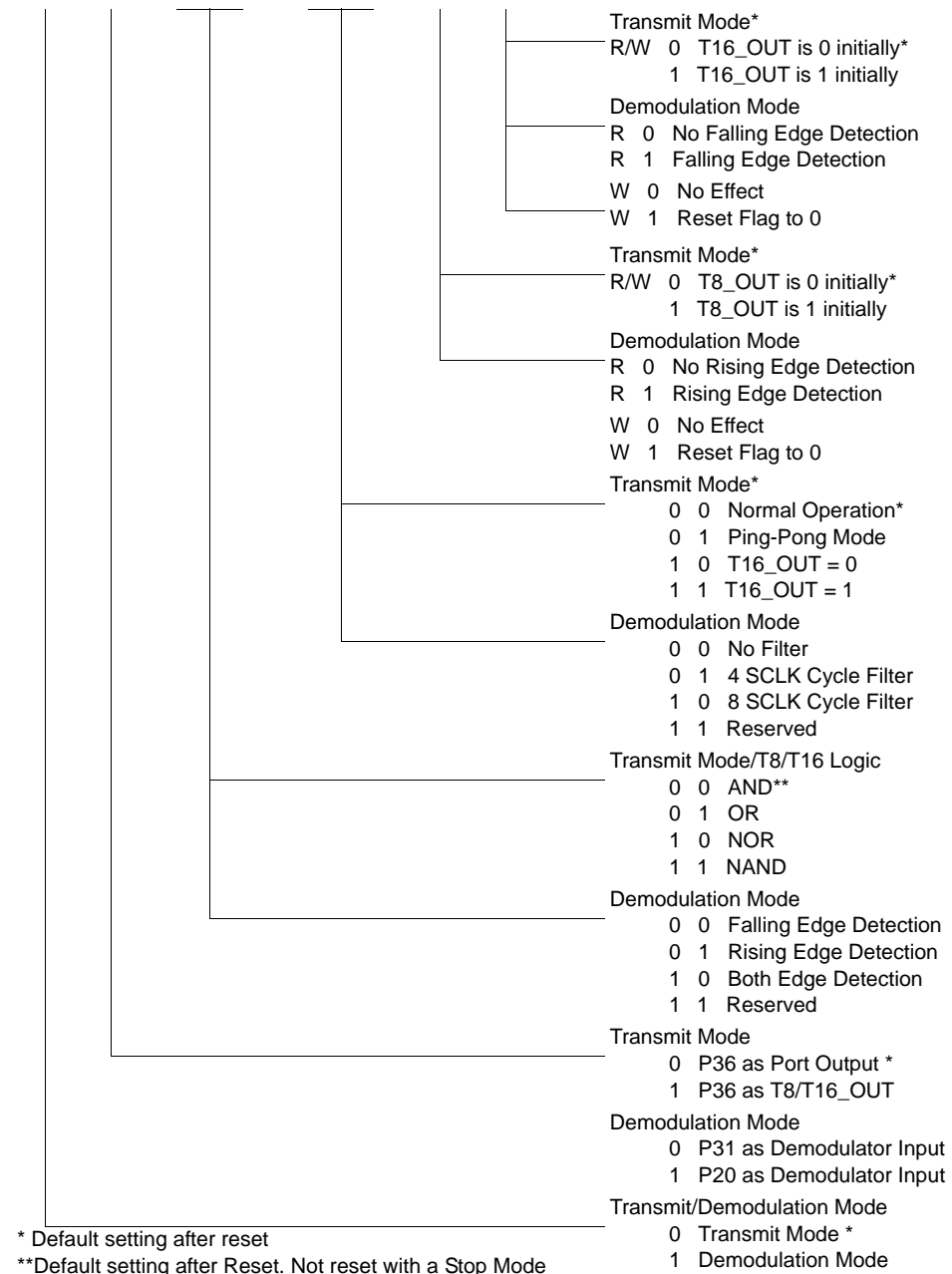


Figure 40. T8 and T16 Common Control Functions ((0D)01H: Read/Write)

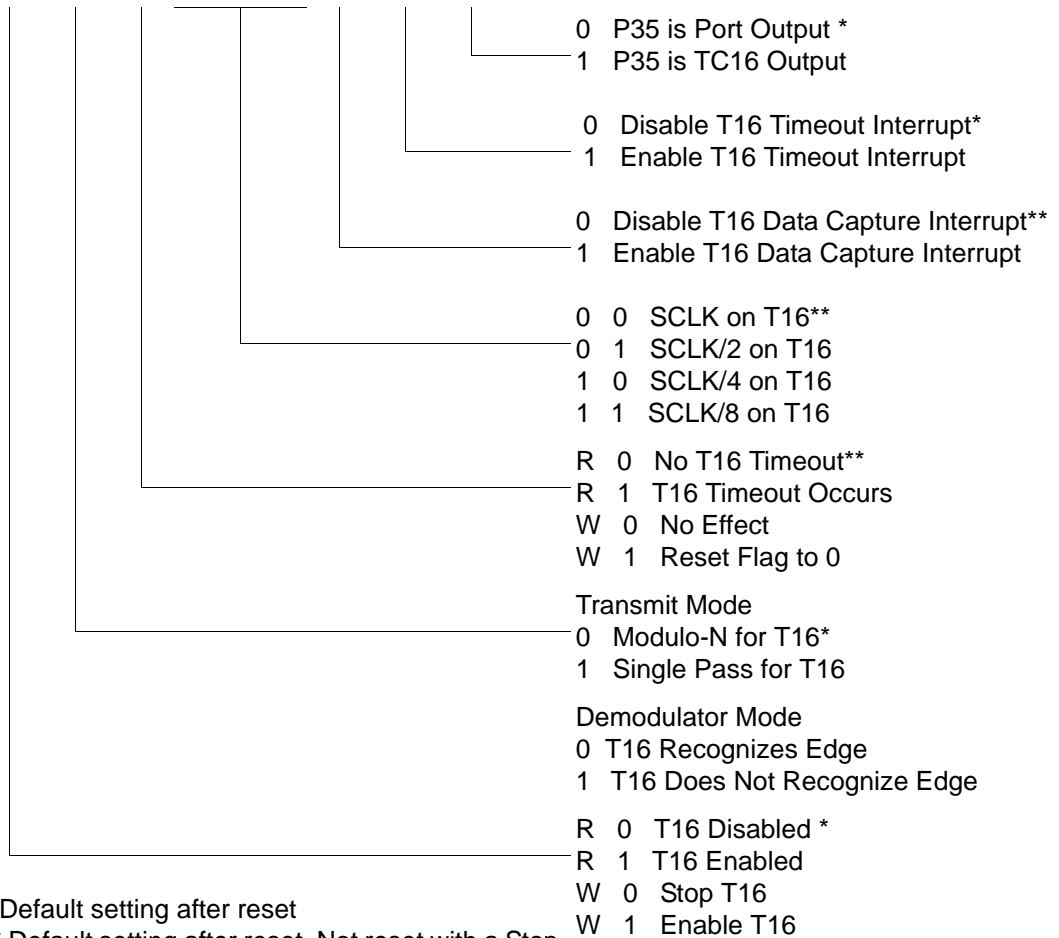


- ▶ **Notes:** Take care in differentiating the Transmit Mode from Demodulation Mode. Depending on which of these two modes is operating, the CTR1 bit has different functions.

Changing from one mode to another cannot be performed without disabling the counter/timers.

CTR2(0D)02H

D7	D6	D5	D4	D3	D2	D1	D0
----	----	----	----	----	----	----	----



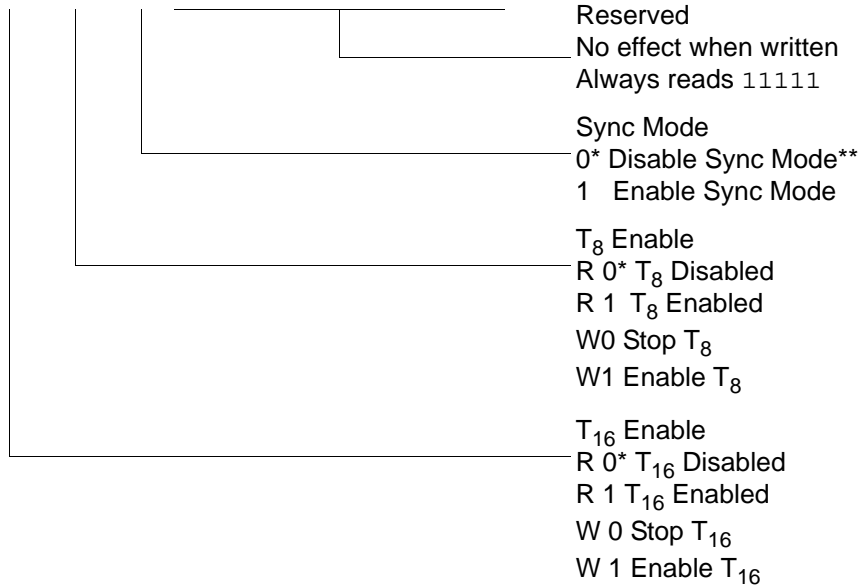
\* Default setting after reset

\*\* Default setting after reset. Not reset with a Stop Mode recovery.

Figure 41. T16 Control Register ((0D) 2H: Read/Write Except Where Noted)

CTR3(0D)03H

D7	D6	D5	D4	D3	D2	D1	D0
----	----	----	----	----	----	----	----



\* Default setting after reset.

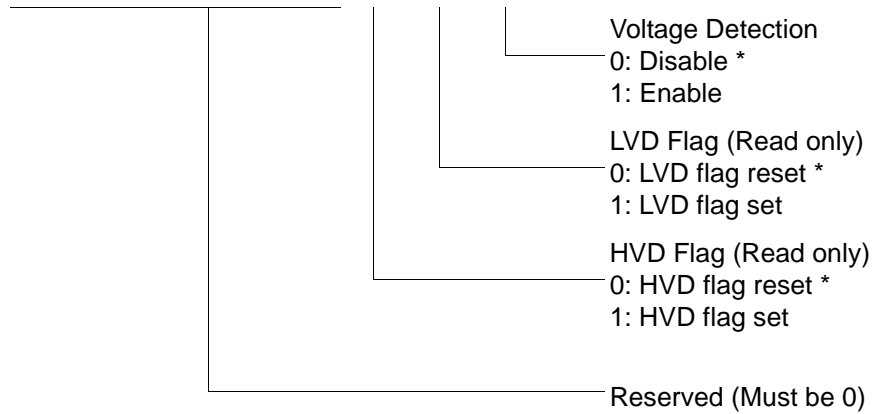
\*\* Default setting after reset. Not reset with a Stop Mode recovery.

**Figure 42. T8/T16 Control Register (0D)03H: Read/Write (Except Where Noted)**

► **Note:** If Sync Mode is enabled, the first pulse of T8 carrier is always synchronized with T16 (demodulated signal). It can always provide a full carrier pulse.

LVD(0D)0CH

D7	D6	D5	D4	D3	D2	D1	D0
----	----	----	----	----	----	----	----



\* Default setting after reset.

**Figure 43. Voltage Detection Register**

- **Note:** Do not modify register P01M while checking a low-voltage condition. Switching noise of both ports 0 and 1 together might trigger the LVD flag.

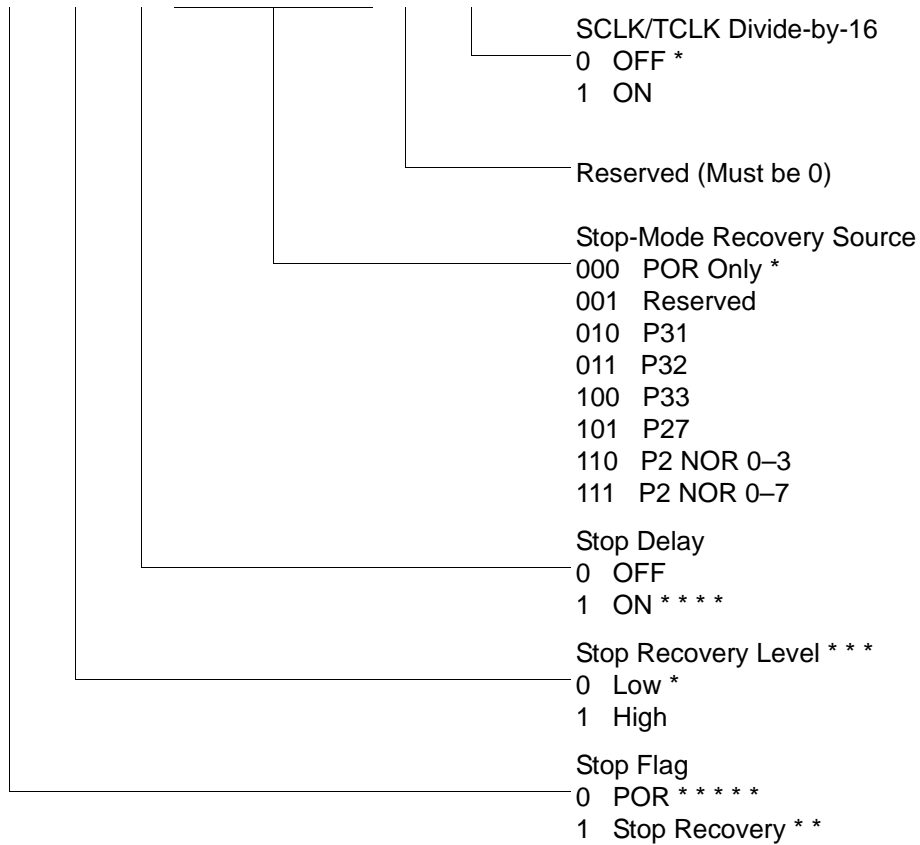
## Expanded Register File Control Registers (0F)

The expanded register file control registers (0F) are depicted in Figures 44 through Figure 57.



SMR(0F)0BH

D7	D6	D5	D4	D3	D2	D1	D0
----	----	----	----	----	----	----	----



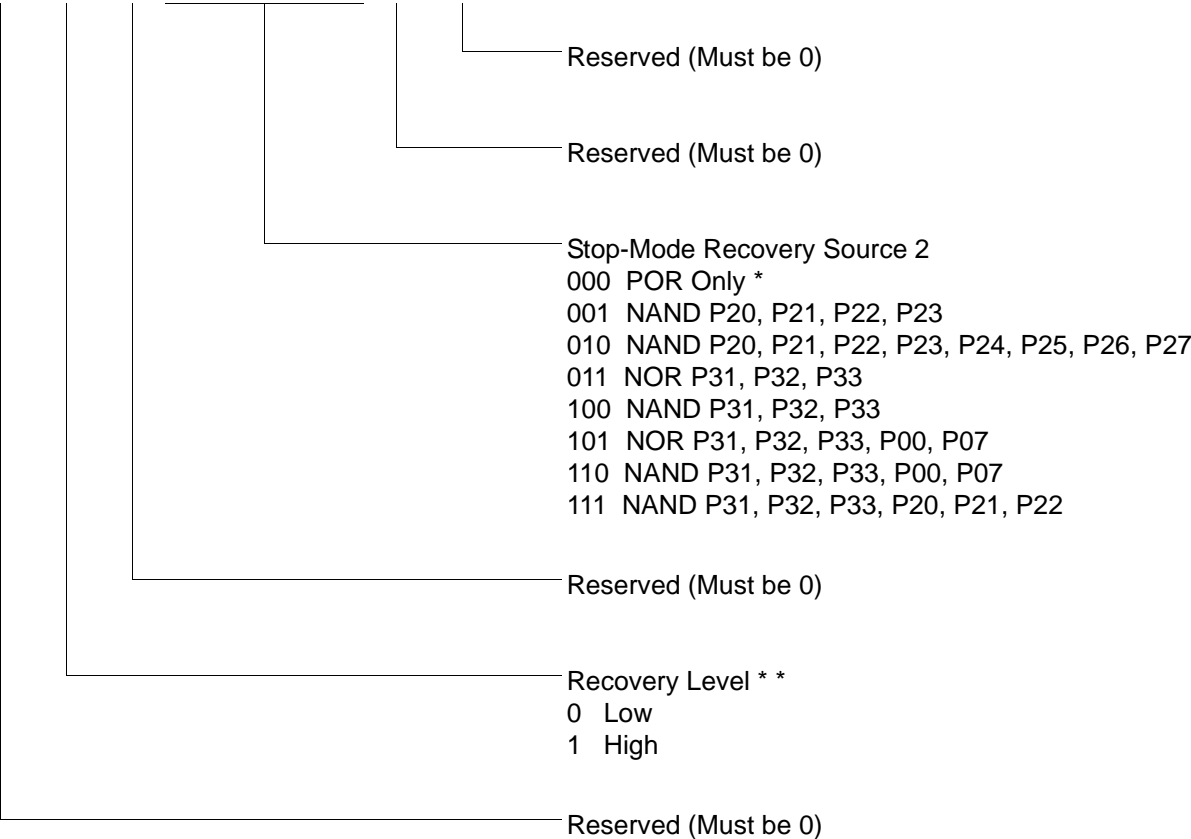
- \* Default setting after Reset
- \*\* Set after STOP Mode Recovery
- \*\*\* At the XOR gate input
- \*\*\*\* Default setting after Reset. Must be 1 if using a crystal or resonator clock source.
- \*\*\*\*\* Default setting after Power On Reset. Not Reset with a Stop Mode recovery.

**Figure 45. Stop Mode Recovery Register ((0F)0BH: D6–D0=Write Only, D7=Read Only)**



SMR2(0F)0DH

D7	D6	D5	D4	D3	D2	D1	D0
----	----	----	----	----	----	----	----



Note: If used in conjunction with SMR, either of the two specified events causes a Stop-Mode Recovery.

\* Default setting after reset. Not Reset with a Stop Mode recovery.

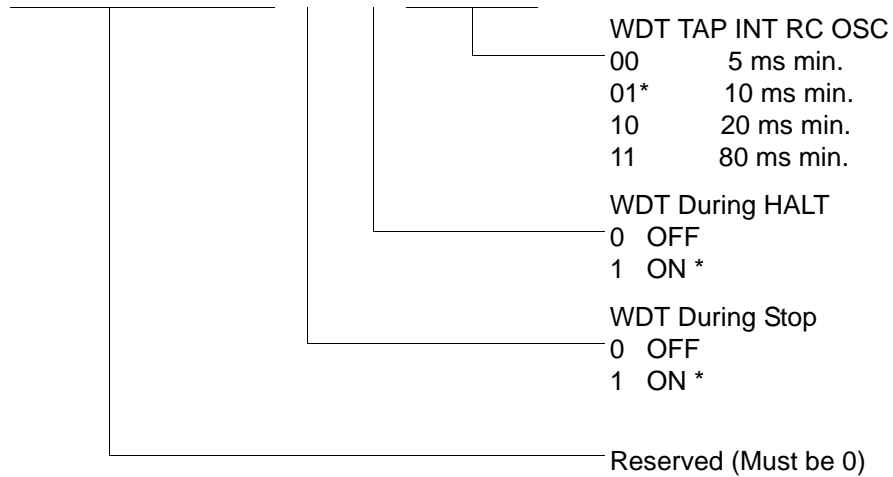
\*\* At the XOR gate input

Figure 46. Stop Mode Recovery Register 2 ((0F)0DH:D2–D4, D6 Write Only)



WDTMR(0F)0FH

D7	D6	D5	D4	D3	D2	D1	D0
----	----	----	----	----	----	----	----



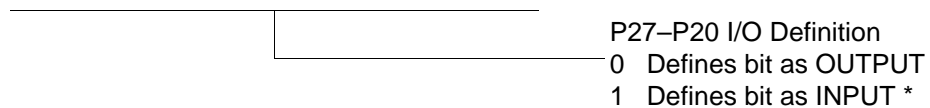
\* Default setting after reset. Not Reset with a Stop Mode recovery.

Figure 47. Watch-Dog Timer Register ((0F) 0FH: Write Only)

## Standard Control Registers

R246 P2M(F6H)

D7	D6	D5	D4	D3	D2	D1	D0
----	----	----	----	----	----	----	----



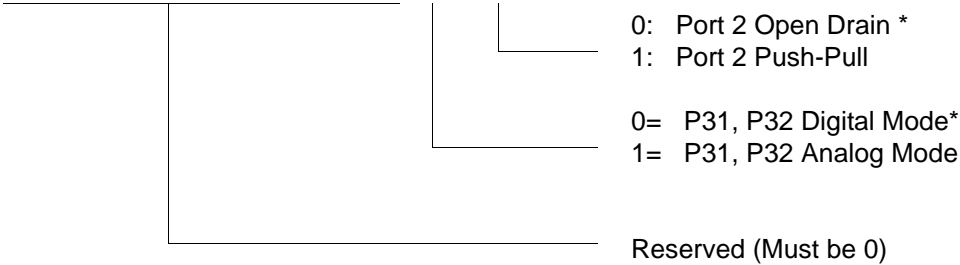
\* Default setting after reset. Not Reset with a Stop Mode recovery.

Figure 48. Port 2 Mode Register (F6H: Write Only)



R247 P3M(F7H)

D7	D6	D5	D4	D3	D2	D1	D0
----	----	----	----	----	----	----	----



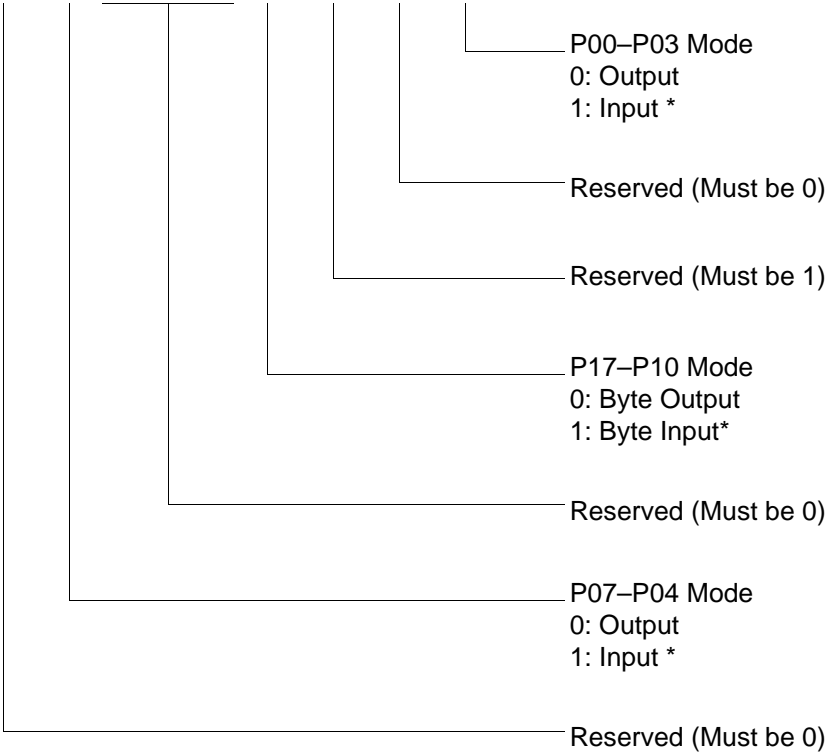
\* Default setting after reset. Not Reset with a Stop Mode recovery.

Figure 49. Port 3 Mode Register (F7H: Write Only)



R248 P01M(F8H)

D7	D6	D5	D4	D3	D2	D1	D0
----	----	----	----	----	----	----	----



\* Default setting after reset; only P00, P01 and P07 are available on 20-pin configurations.

Figure 50. Port 0 and 1 Mode Register (F8H: Write Only)

R249 IPR(F9H)

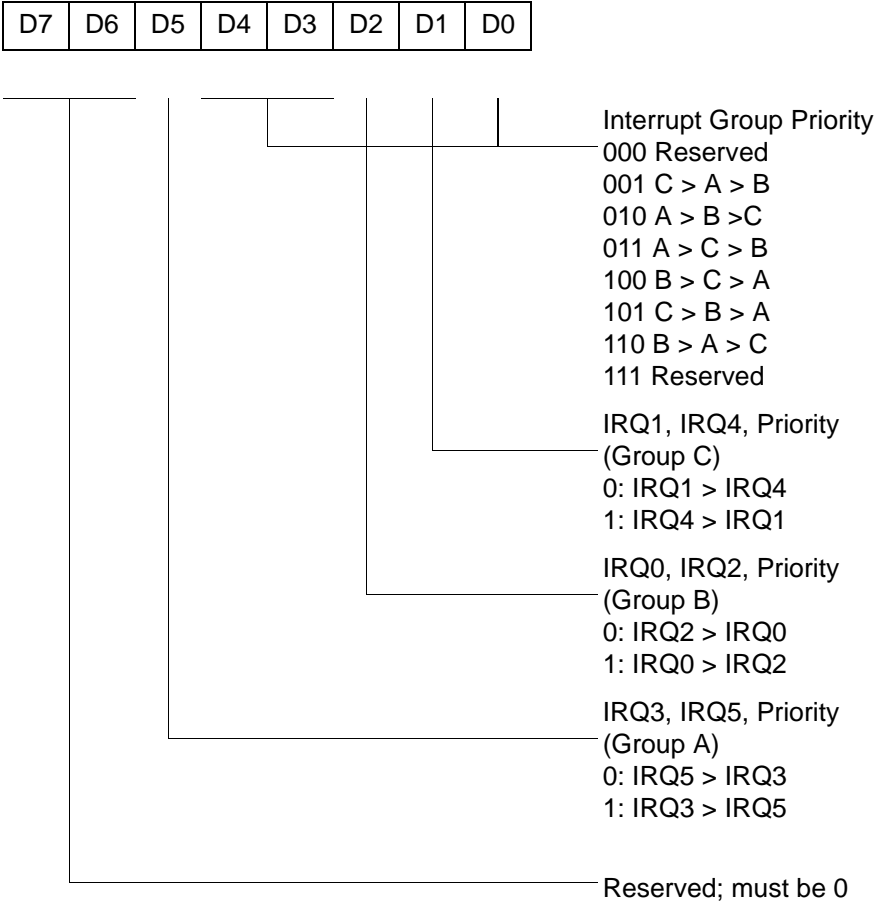


Figure 51. Interrupt Priority Register (F9H: Write Only)

R250 IRQ(FAH)

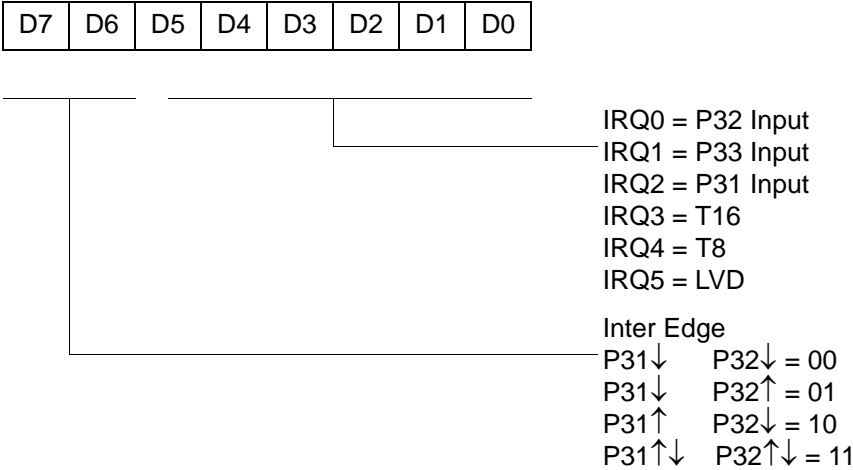


Figure 52. Interrupt Request Register (FAH: Read/Write)

R251 IMR(FBH)



\* Default setting after reset  
 \*\* Only by using EI, DI instruction; DI is required before changing the IMR register

Figure 53. Interrupt Mask Register (FBH: Read/Write)



R252 Flags(FCH)

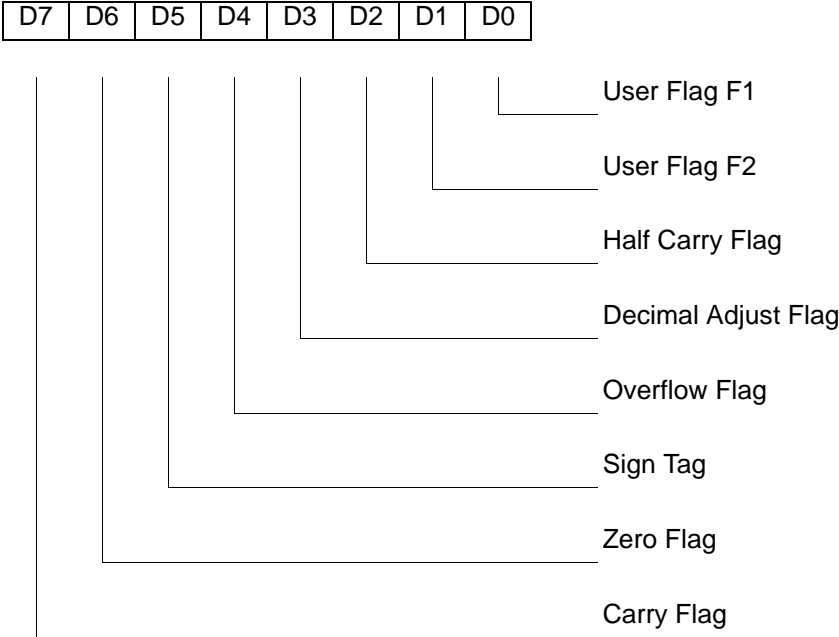
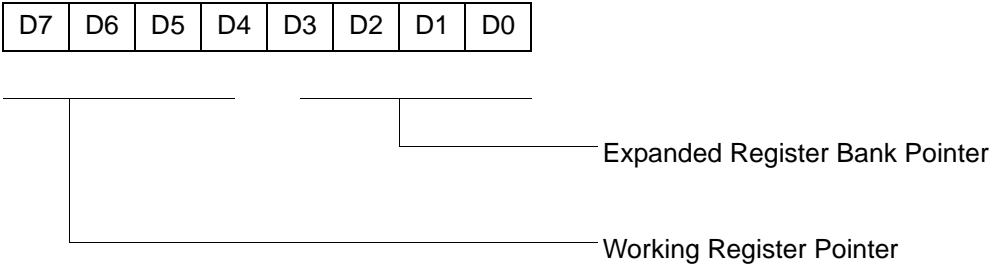


Figure 54. Flag Register (FCH: Read/Write)

R253 RP(FDH)



Default setting after reset = 0000 0000

Figure 55. Register Pointer (FDH: Read/Write)



R254 SPH(FEH)

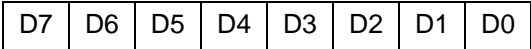


Figure 56. Stack Pointer High (FEH: Read/Write)

R255 SPL(FFH)

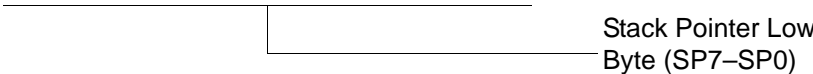
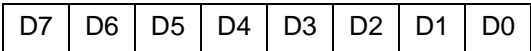
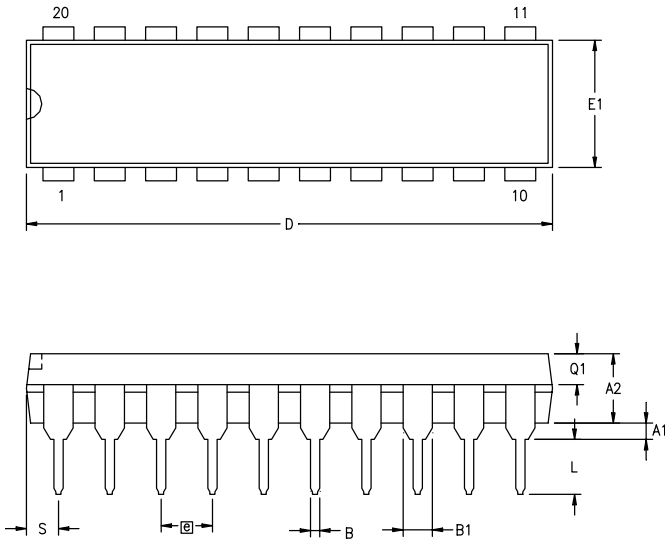


Figure 57. Stack Pointer Low (FFH: Read/Write)

## Package Information

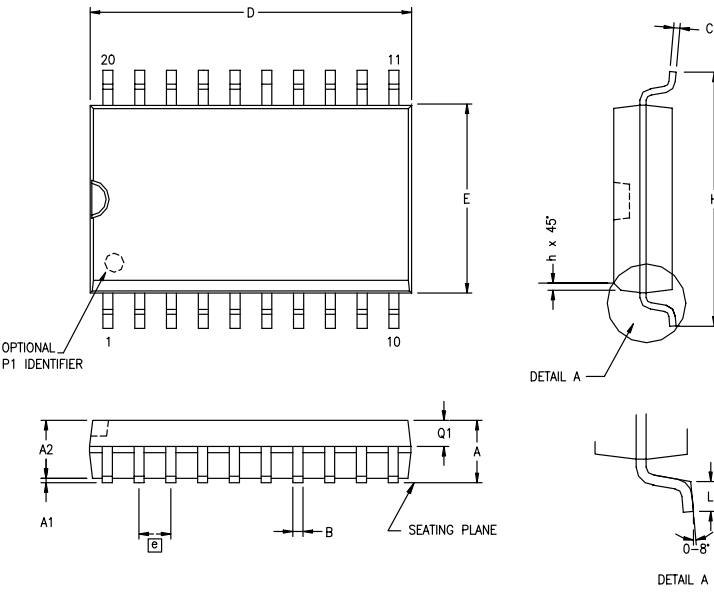
Package information for all versions of Z8 GP ROM MCU is depicted in Figures 58 through Figure 65.



SYMBOL	MILLIMETER		INCH	
	MIN	MAX	MIN	MAX
A1	0.38	0.81	.015	.032
A2	3.25	3.68	.128	.145
B	0.41	0.51	.016	.020
B1	1.47	1.57	.058	.062
C	0.20	0.30	.008	.012
D	25.65	26.16	1.010	1.030
E	7.49	8.26	.295	.325
E1	6.10	6.65	.240	.262
Ⓜ	2.54 BSC		.100 BSC	
eA	7.87	9.14	.310	.360
L	3.18	3.43	.125	.135
Q1	1.42	1.65	.056	.065
S	1.52	1.65	.060	.065

CONTROLLING DIMENSIONS : INCH

Figure 58. 20-Pin PDIP Package Diagram



SYMBOL	MILLIMETER		INCH	
	MIN	MAX	MIN	MAX
A	2.40	2.65	.094	.104
A1	0.10	0.30	.004	.012
A2	2.24	2.44	.088	.096
B	0.36	0.46	.014	.018
C	0.23	0.30	.009	.012
D	12.60	12.95	.496	.510
E	7.40	7.60	.291	.299
Ⓜ	1.27 BSC		.050 BSC	
H	10.00	10.65	.394	.419
h	0.30	0.40	.012	.016
L	0.60	1.00	.024	.039
Q1	0.97	1.07	.038	.042

CONTROLLING DIMENSIONS : MM  
LEADS ARE COPLANAR WITHIN .004 INCH.

Figure 59. 20-Pin SOIC Package Diagram



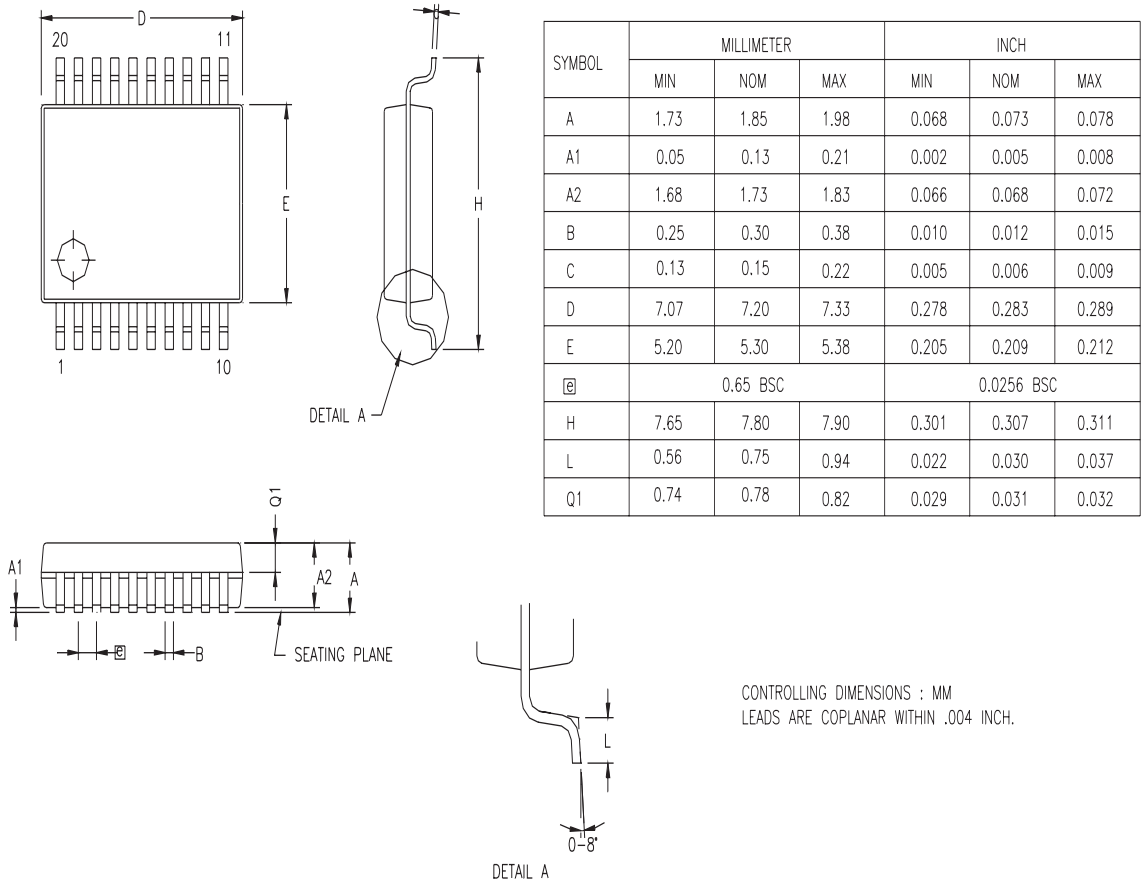
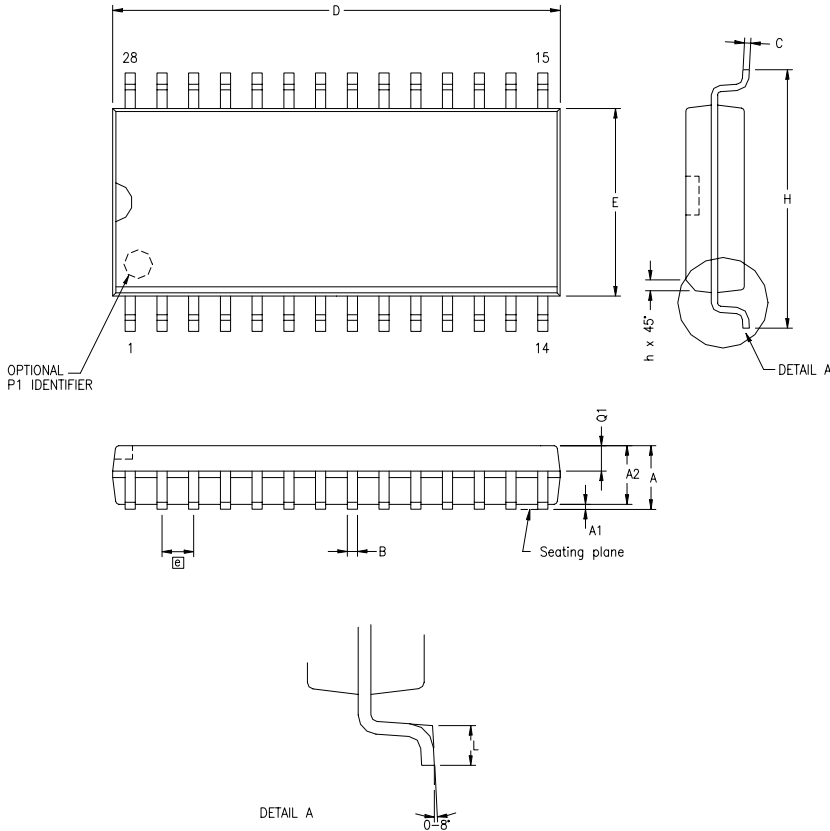


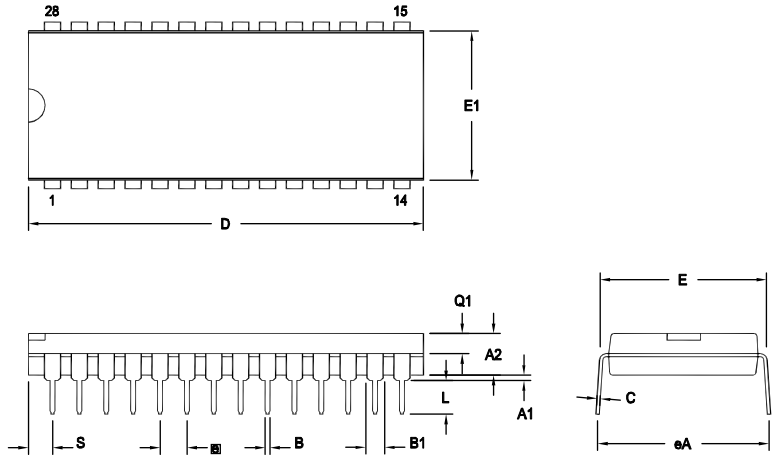
Figure 60. 20-Pin SSOP Package Diagram



SYMBOL	MILLIMETER		INCH	
	MIN	MAX	MIN	MAX
A	2.40	2.64	.094	.104
A1	0.10	0.30	.004	.012
A2	2.24	2.44	.088	.096
B	0.36	0.46	.014	.018
C	0.23	0.30	.009	.012
D	17.78	18.00	.700	.710
E	7.40	7.60	.291	.299
Ⓜ	1.27 BSC		.050 BSC	
H	10.00	10.65	.394	.419
h	0.30	0.71	.012	.028
L	0.61	1.00	.024	.039
Q1	0.97	1.09	.038	.043

CONTROLLING DIMENSIONS : MM  
 LEADS ARE COPLANAR WITHIN .004 INCH.

Figure 61. 28-Pin SOIC Package Diagram



OPTION TABLE	
OPTION #	PACKAGE
01	STANDARD
02	IDF

Note: ZILOG supplies both options for production. Component layout PCB design should cover bigger option 01.

SYMBOL	OPT #	MILLIMETER		INCH	
		MIN	MAX	MIN	MAX
A1		0.38	1.02	.015	.040
A2		3.18	4.19	.125	.165
B		0.38	0.53	.015	.021
B1	01	1.40	1.65	.055	.065
	02	1.14	1.40	.045	.055
C		0.23	0.38	.009	.015
D	01	36.58	37.34	1.440	1.470
	02	35.31	35.94	1.390	1.415
E		15.24	15.75	.600	.620
E1	01	13.59	14.10	.535	.555
	02	12.83	13.08	.505	.515
e		2.54 TYP		.100 BSC	
eA		15.49	16.76	.610	.660
L		3.05	3.81	.120	.150
Q1	01	1.40	1.91	.055	.075
	02	1.40	1.78	.055	.070
S	01	1.52	2.29	.060	.090
	02	1.02	1.52	.040	.060

CONTROLLING DIMENSIONS : INCH

Figure 62. 28-Pin PDIP Package Diagram

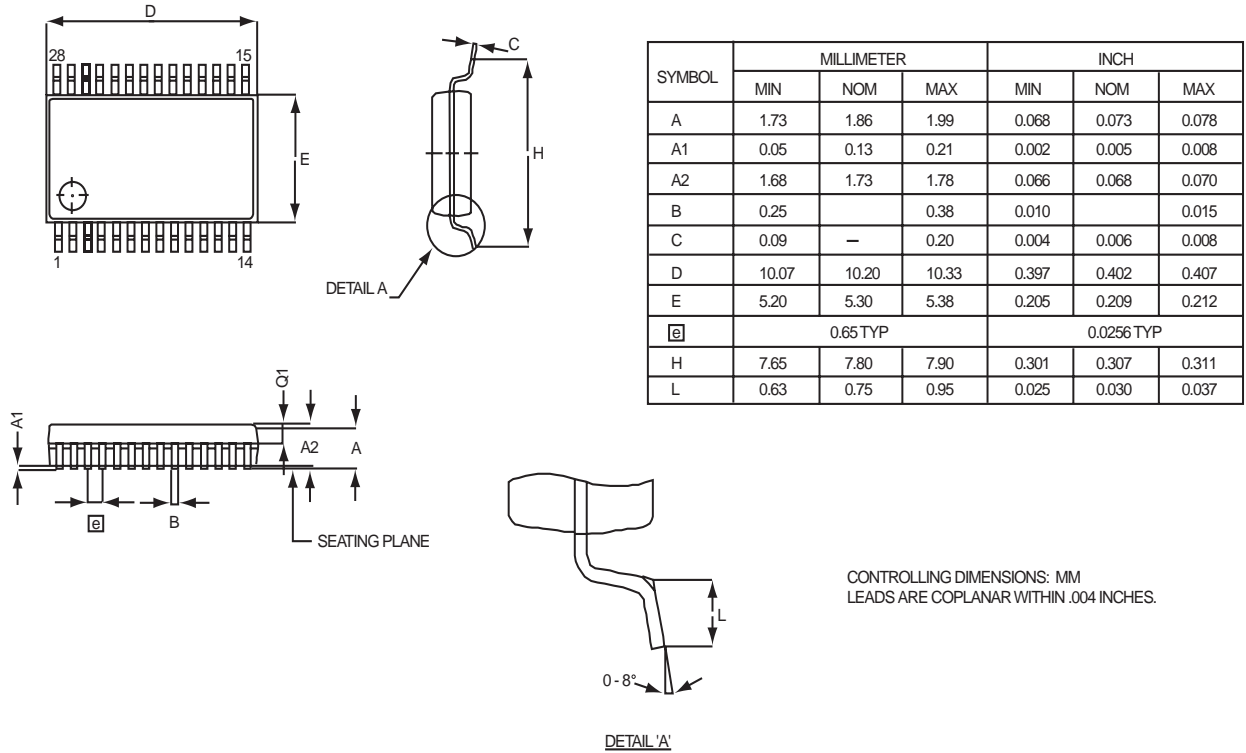


Figure 63. 28-Pin SSOP Package Diagram

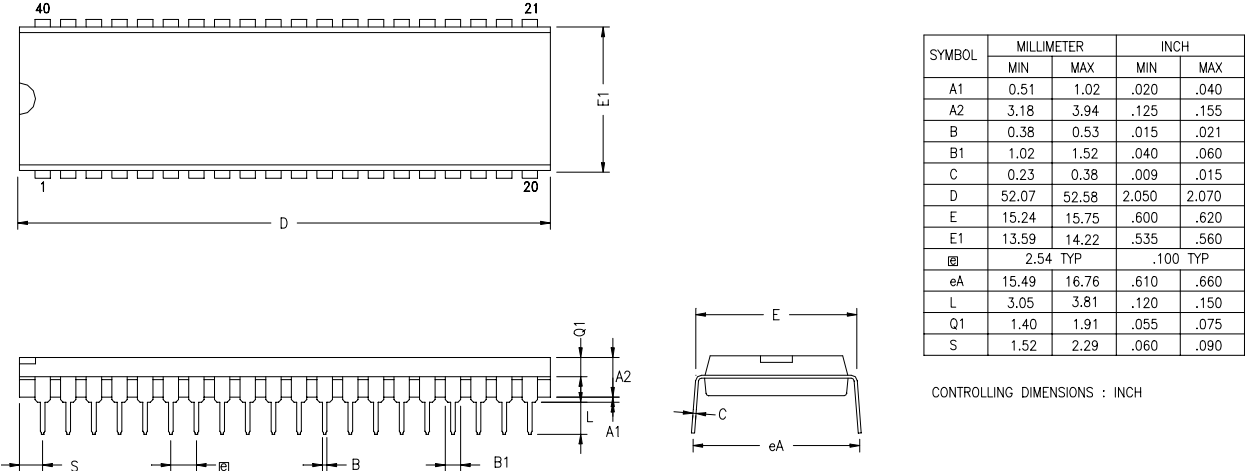
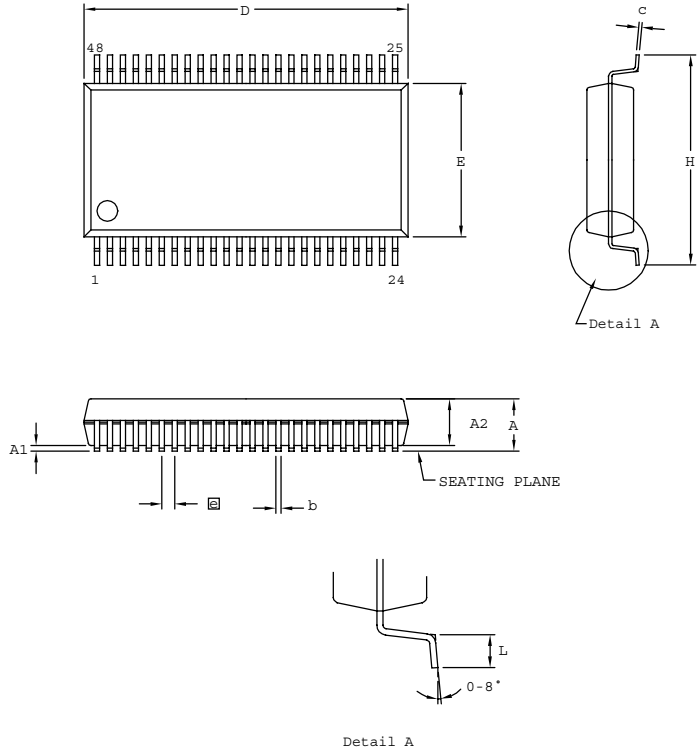


Figure 64. 40-Pin PDIP Package Diagram



SYMBOL	MILLIMETER		INCH	
	MIN	MAX	MIN	MAX
A	2.41	2.79	0.095	0.110
A1	0.23	0.38	0.009	0.015
A2	2.18	2.39	0.086	0.094
b	0.20	0.34	0.008	0.0135
c	0.13	0.25	0.005	0.010
D	15.75	16.00	0.620	0.630
E	7.39	7.59	0.291	0.299
Ⓢ	0.635 BSC		0.025 BSC	
H	10.16	10.41	0.400	0.410
L	0.51	1.016	0.020	0.040

CONTROLLING DIMENSIONS : MM  
LEADS ARE COPLANAR WITHIN .004 INCH

Figure 65. 48-Pin SSOP Package Design

► **Note:** Please check with ZiLOG on the actual bonding diagram and coordinate for chip-on-board assembly.



## Ordering Information

---



---

### 32KB Standard Temperature: 0° to +70°C

Part Number	Description	Part Number	Description
ZGR323LSH4832C	48-pin SSOP 32K ROM	ZGR323LSS2832C	28-pin SOIC 32K ROM
ZGR323LSP4032C	40-pin PDIP 32K ROM	ZGR323LSH2032C	20-pin SSOP 32K ROM
ZGR323LSH2832C	28-pin SSOP 32K ROM	ZGR323LSP2032C	20-pin PDIP 32K ROM
ZGR323LSP2832C	28-pin PDIP 32K ROM	ZGR323LSS2032C	20-pin SOIC 32K ROM

---



---

### 32KB Extended Temperature: -40° to +105°C

Part Number	Description	Part Number	Description
ZGR323LEH4832C	48-pin SSOP 32K ROM	ZGR323LES2832C	28-pin SOIC 32K ROM
ZGR323LEP4032C	40-pin PDIP 32K ROM	ZGR323LEH2032C	20-pin SSOP 32K ROM
ZGR323LEH2832C	28-pin SSOP 32K ROM	ZGR323LEP2032C	20-pin PDIP 32K ROM
ZGR323LEP2832C	28-pin PDIP 32K ROM	ZGR323LES2032C	20-pin SOIC 32K ROM

---



---

### 32KB Automotive Temperature: -40° to +125°C

Part Number	Description	Part Number	Description
ZGR323LAH4832C	48-pin SSOP 32K ROM	ZGR323LAS2832C	28-pin SOIC 32K ROM
ZGR323LAP4032C	40-pin PDIP 32K ROM	ZGR323LAH2032C	20-pin SSOP 32K ROM
ZGR323LAH2832C	28-pin SSOP 32K ROM	ZGR323LAP2032C	20-pin PDIP 32K ROM
ZGR323LAP2832C	28-pin PDIP 32K ROM	ZGR323LAS2032C	20-pin SOIC 32K ROM

Note: Replace C with G for Lead-Free Packaging

---




---



---

**16KB Standard Temperature: 0° to +70°C**

Part Number	Description	Part Number	Description
ZGR323LSH4816C	48-pin SSOP 16K ROM	ZGR323LSS2816C	28-pin SOIC 16K ROM
ZGR323LSP4016C	40-pin PDIP 16K ROM	ZGR323LSH2016C	20-pin SSOP 16K ROM
ZGR323LSH2816C	28-pin SSOP 16K ROM	ZGR323LSP2016C	20-pin PDIP 16K ROM
ZGR323LSP2816C	28-pin PDIP 16K ROM	ZGR323LSS2016C	20-pin SOIC 16K ROM

---



---

**16KB Extended Temperature: -40° to +105°C**

Part Number	Description	Part Number	Description
ZGR323LEH4816C	48-pin SSOP 16K ROM	ZGR323LES2816C	28-pin SOIC 16K ROM
ZGR323LEP4016C	40-pin PDIP 16K ROM	ZGR323LEH2016C	20-pin SSOP 16K ROM
ZGR323LEH2816C	28-pin SSOP 16K ROM	ZGR323LEP2016C	20-pin PDIP 16K ROM
ZGR323LEP2816C	28-pin PDIP 16K ROM	ZGR323LES2016C	20-pin SOIC 16K ROM

---



---

**16KB Automotive Temperature: -40° to +125°C**

Part Number	Description	Part Number	Description
ZGR323LAH4816C	48-pin SSOP 16K ROM	ZGR323LAS2816C	28-pin SOIC 16K ROM
ZGR323LAP4016C	40-pin PDIP 16K ROM	ZGR323LAH2016C	20-pin SSOP 16K ROM
ZGR323LAH2816C	28-pin SSOP 16K ROM	ZGR323LAP2016C	20-pin PDIP 16K ROM
ZGR323LAP2816C	28-pin PDIP 16K ROM	ZGR323LAS2016C	20-pin SOIC 16K ROM

Note: Replace C with G for Lead-Free Packaging

---



**8KB Standard Temperature: 0° to +70°C**

Part Number	Description	Part Number	Description
ZGR323LSH4808C	48-pin SSOP 8K ROM	ZGR323LSS2808C	28-pin SOIC 8K ROM
ZGR323LSP4008C	40-pin PDIP 8K ROM	ZGR323LSH2008C	20-pin SSOP 8K ROM
ZGR323LSH2808C	28-pin SSOP 8K ROM	ZGR323LSP2008C	20-pin PDIP 8K ROM
ZGR323LSP2808C	28-pin PDIP 8K ROM	ZGR323LSS2008C	20-pin SOIC 8K ROM

**8KB Extended Temperature: -40° to +105°C**

Part Number	Description	Part Number	Description
ZGR323LEH4808C	48-pin SSOP 8K ROM	ZGR323LES2808C	28-pin SOIC 8K ROM
ZGR323LEP4008C	40-pin PDIP 8K ROM	ZGR323LEH2008C	20-pin SSOP 8K ROM
ZGR323LEH2808C	28-pin SSOP 8K ROM	ZGR323LEP2008C	20-pin PDIP 8K ROM
ZGR323LEP2808C	28-pin PDIP 8K ROM	ZGR323LES2008C	20-pin SOIC 8K ROM

**8KB Automotive Temperature: -40° to +125°C**

Part Number	Description	Part Number	Description
ZGR323LAH4808C	48-pin SSOP 8K ROM	ZGR323LAS2808C	28-pin SOIC 8K ROM
ZGR323LAP4008C	40-pin PDIP 8K ROM	ZGR323LAH2008C	20-pin SSOP 8K ROM
ZGR323LAH2808C	28-pin SSOP 8K ROM	ZGR323LAP2008C	20-pin PDIP 8K ROM
ZGR323LAP2808C	28-pin PDIP 8K ROM	ZGR323LAS2008C	20-pin SOIC 8K ROM

Note: Replace C with G for Lead-Free Packaging

**Additional Components**

Part Number	Description	Part Number	Description
ZGP323ICE01ZEM (For 3.6V Emulation only)	Emulator/programmer	ZGP32300100ZPR (Ethernet)	Programming system
		ZGP32300200ZPR (USB)	Programming system





For fast results, contact your local ZiLOG sales office for assistance in ordering the part desired.

**Codes**

ZG = ZiLOG General Purpose Family

R = ROM

323L = Family Designation

Temperature

S = Standard 0° to 70° C

E = Extended -40° to 105° C

A = Automotive -40° to 125° C

P = Package Type:

P = Plastic DIP

H = SSOP

S = SOIC

## = Number of Pins

CC = Memory Size

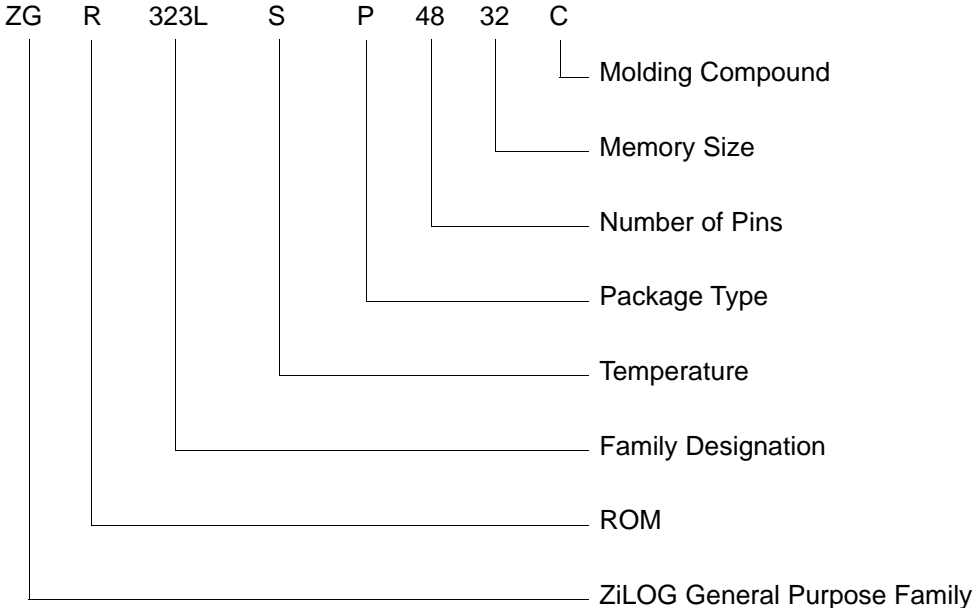
M = Molding Compound

C = Standard Plastic Molding Compound

G = "Green" Plastic Molding Compound



**Example**



## Numerics

- 16-bit counter/timer circuits 45
- 20-pin DIP package diagram 81
- 20-pin SSOP package diagram 82
- 28-pin DIP package diagram 84
- 28-pin SOIC package diagram 83
- 28-pin SSOP package diagram 85
- 40-pin DIP package diagram 85
- 48-pin SSOP package diagram 86
- 8-bit counter/timer circuits 41

## A

- absolute maximum ratings 10
- AC
  - characteristics 15
  - timing diagram 15
- address spaces, basic 2
- architecture 2
  - expanded register file 27

## B

- basic address spaces 2
- block diagram, ZLP32300 functional 3

## C

- capacitance 11
- characteristics
  - AC 15
  - DC 11
- clock 52
- comparator inputs/outputs 24
- configuration
  - port 0 18
  - port 1 19
  - port 2 20
  - port 3 21
  - port 3 counter/timer 23
- counter/timer
  - 16-bit circuits 45
  - 8-bit circuits 41

- brown-out voltage/standby 63
- clock 52
- demodulation mode count capture flowchart 43
- demodulation mode flowchart 44
- EPROM selectable options 63
- glitch filter circuitry 39
- halt instruction 53
- input circuit 39
- interrupt block diagram 50
- interrupt types, sources and vectors 51
- oscillator configuration 52
- output circuit 48
- ping-pong mode 47
- port configuration register 54
- resets and WDT 63
- SCLK circuit 57
- stop instruction 53
- stop mode recovery register 56
- stop mode recovery register 2 60
- stop mode recovery source 58
- T16 demodulation mode 46
- T16 transmit mode 45
- T16\_OUT in modulo-N mode 46
- T16\_OUT in single-pass mode 46
- T8 demodulation mode 42
- T8 transmit mode 39
- T8\_OUT in modulo-N mode 42
- T8\_OUT in single-pass mode 42
- transmit mode flowchart 40
- voltage detection and flags 64
- watch-dog timer mode register 61
- watch-dog timer time select 62
- CTR(D)01h T8 and T16 Common Functions 34

## D

- DC characteristics 11
- demodulation mode
  - count capture flowchart 43
  - flowchart 44
  - T16 46
  - T8 42
- description

functional 24  
general 2  
pin 4

## E

### EPROM

- selectable options 63
- expanded register file 25
- expanded register file architecture 27
- expanded register file control registers 70
  - flag 79
- interrupt mask register 78
- interrupt priority register 77
- interrupt request register 78
- port 0 and 1 mode register 76
- port 2 configuration register 74
- port 3 mode register 75
- port configuration register 74
- register pointer 79
- stack pointer high register 80
- stack pointer low register 80
- stop-mode recovery register 72
- stop-mode recovery register 2 73
- T16 control register 68
- T8 and T16 common control functions register 66
- T8/T16 control register 69
- TC8 control register 64
- watch-dog timer register 74

## F

### features

- standby modes 1

### functional description

- counter/timer functional blocks 39
  - CTR(D)01h register 34
  - CTR0(D)00h register 32
  - CTR2(D)02h register 36
  - CTR3(D)03h register 38
- expanded register file 25
- expanded register file architecture 27
- HI16(D)09h register 31

- HI8(D)0Bh register 31
- LO8(D)0Ah register 31
- LO16(D)08h register 31
- program memory map 25
- RAM 24
- register description 64
- register file 29
- register pointer 28
- register pointer detail 30
- SMR2(F)0D1h register 39
- stack 30
- TC16H(D)07h register 31
- TC16L(D)06h register 32
- TC8H(D)05h register 32
- TC8L(D)04h register 32

## G

- glitch filter circuitry 39

## H

- halt instruction, counter/timer 53

## I

- input circuit 39
- interrupt block diagram, counter/timer 50
- interrupt types, sources and vectors 51

## L

- low-voltage detection register 64

## M

- memory, program 24
- modulo-N mode
  - T16\_OUT 46
  - T8\_OUT 42

## O

oscillator configuration 52  
output circuit, counter/timer 48

## P

package information  
    20-pin DIP package diagram 81  
    20-pin SSOP package diagram 82  
    28-pin DIP package diagram 84  
    28-pin SOIC package diagram 83  
    28-pin SSOP package diagram 85  
    40-pin DIP package diagram 85  
    48-pin SSOP package diagram 86  
pin configuration  
    20-pin DIP/SOIC/SSOP 5  
    28-pin DIP/SOIC/SSOP 6  
    40- and 48-pin 8  
    40-pin DIP 7  
    48-pin SSOP 8  
pin functions  
    port 0 (P07 - P00) 17  
    port 0 (P17 - P10) 18  
    port 0 configuration 18  
    port 1 configuration 19  
    port 2 (P27 - P20) 19  
    port 2 (P37 - P30) 20  
    port 2 configuration 20  
    port 3 configuration 21  
    port 3 counter/timer configuration 23  
    reset) 24  
    XTAL1 (time-based input 17  
    XTAL2 (time-based output) 17  
ping-pong mode 47  
port 0 configuration 18  
port 0 pin function 17  
port 1 configuration 19  
port 1 pin function 18  
port 2 configuration 20  
port 2 pin function 19  
port 3 configuration 21  
port 3 pin function 20  
port 3 counter/timer configuration 23  
port configuration register 54

power connections 2  
power supply 5  
program memory 24  
    map 25

## R

ratings, absolute maximum 10  
register 60  
    CTR(D)01h 34  
    CTR0(D)00h 32  
    CTR2(D)02h 36  
    CTR3(D)03h 38  
    flag 79  
    HI16(D)09h 31  
    HI8(D)0Bh 31  
    interrupt priority 77  
    interrupt request 78  
    interruptmask 78  
    L016(D)08h 31  
    L08(D)0Ah 31  
    LVD(D)0Ch 64  
    pointer 79  
    port 0 and 1 76  
    port 2 configuration 74  
    port 3 mode 75  
    port configuration 54, 74  
    SMR2(F)0Dh 39  
    stack pointer high 80  
    stack pointer low 80  
    stop mode recovery 56  
    stop mode recovery 2 60  
    stop-mode recovery 72  
    stop-mode recovery 2 73  
    T16 control 68  
    T8 and T16 common control functions 66  
    T8/T16 control 69  
    TC16H(D)07h 31  
    TC16L(D)06h 32  
    TC8 control 64  
    TC8H(D)05h 32  
    TC8L(D)04h 32  
voltage detection 70  
watch-dog timer 74

- register description
  - Counter/Timer2 LS-Byte Hold 32
  - Counter/Timer2 MS-Byte Hold 31
  - Counter/Timer8 Control 32
  - Counter/Timer8 High Hold 32
  - Counter/Timer8 Low Hold 32
  - CTR2 Counter/Timer 16 Control 36
  - CTR3 T8/T16 Control 38
  - Stop Mode Recovery2 39
  - T16\_Capture\_LO 31
  - T8 and T16 Common functions 34
  - T8\_Capture\_HI 31
  - T8\_Capture\_LO 31

- register file 29
  - expanded 25
- register pointer 28
  - detail 30
- reset pin function 24
- resets and WDT 63

## S

- SCLK circuit 57
- single-pass mode
  - T16\_OUT 46
  - T8\_OUT 42
- stack 30
- standard test conditions 10
- standby modes 1
- stop instruction, counter/timer 53
- stop mode recovery
  - 2 register 60
  - source 58
- stop mode recovery 2 60
- stop mode recovery register 56

## T

- T16 transmit mode 45
- T16\_Capture\_HI 31
- T8 transmit mode 39
- T8\_Capture\_HI 31
- test conditions, standard 10
- test load diagram 10

- timing diagram, AC 15
- transmit mode flowchart 40

## V

- VCC 5
- voltage
  - brown-out/standby 63
  - detection and flags 64
- voltage detection register 70

## W

- watch-dog timer
  - mode registerwatch-dog timer mode register 61
  - time select 62

## X

- XTAL1 5
- XTAL1 pin function 17
- XTAL2 5
- XTAL2 pin function 17