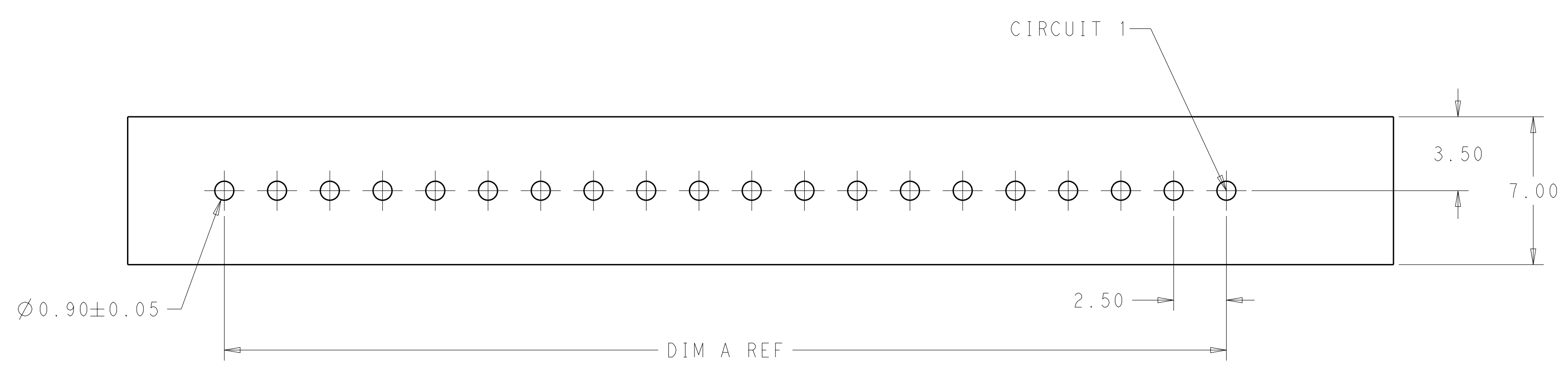
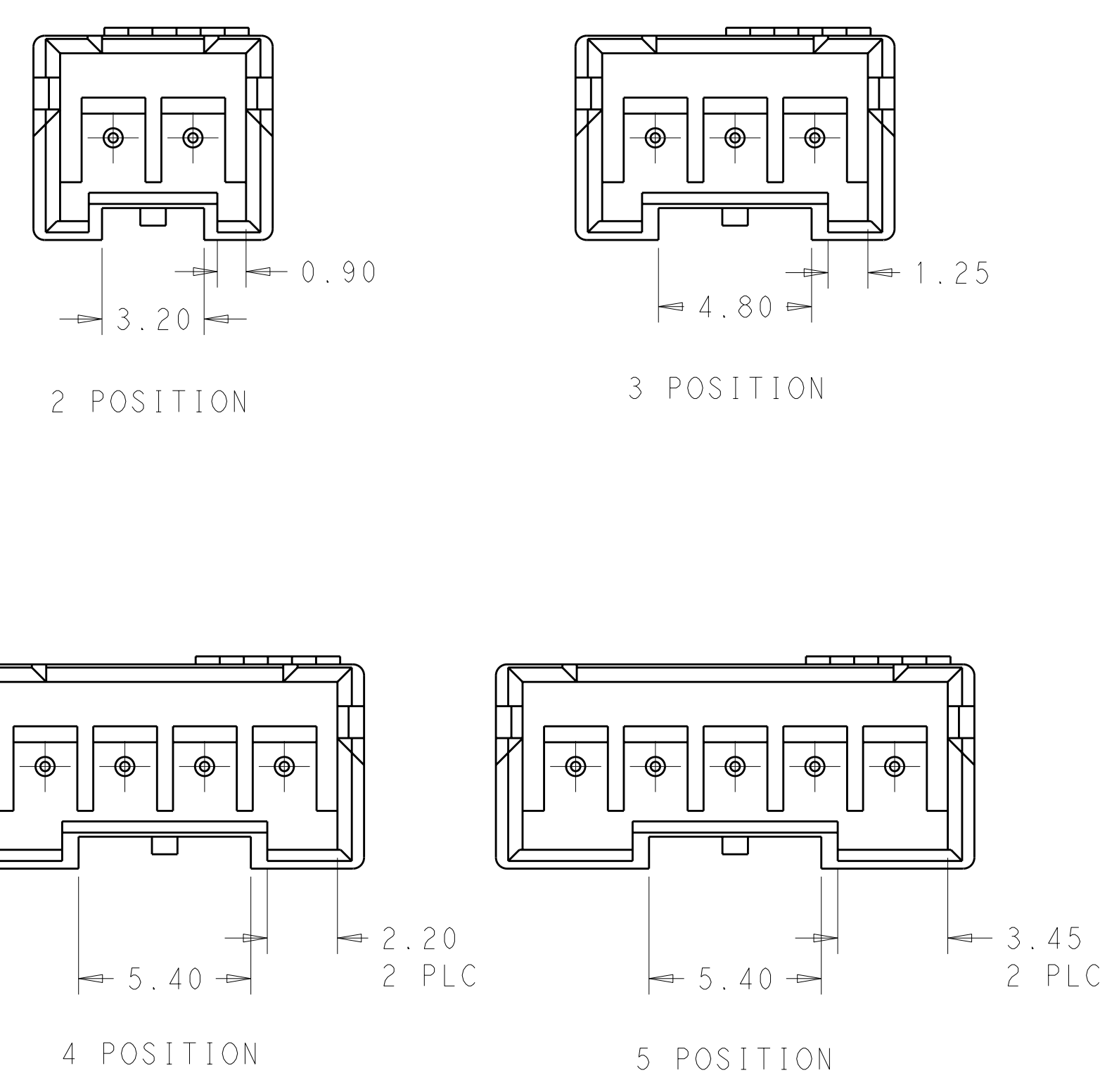
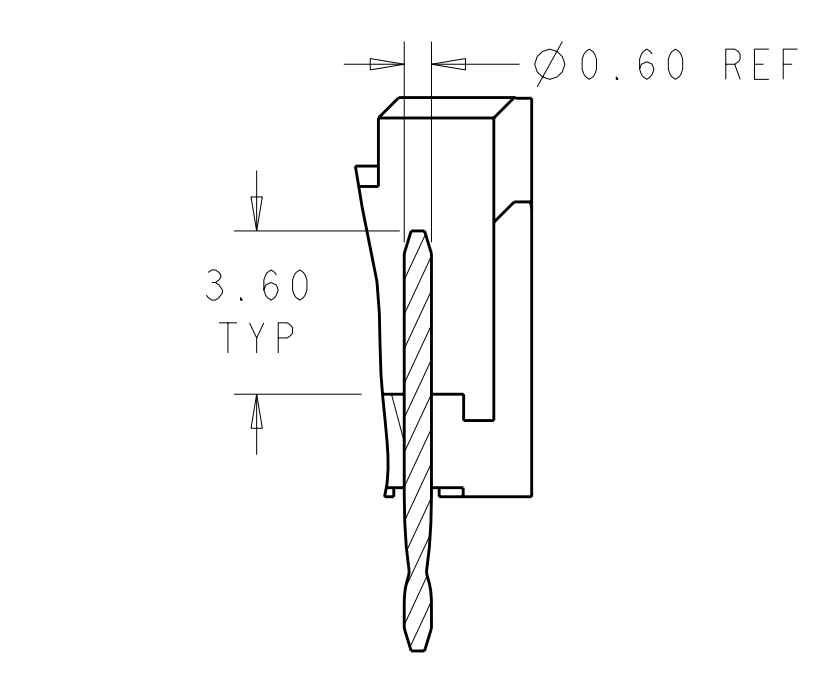
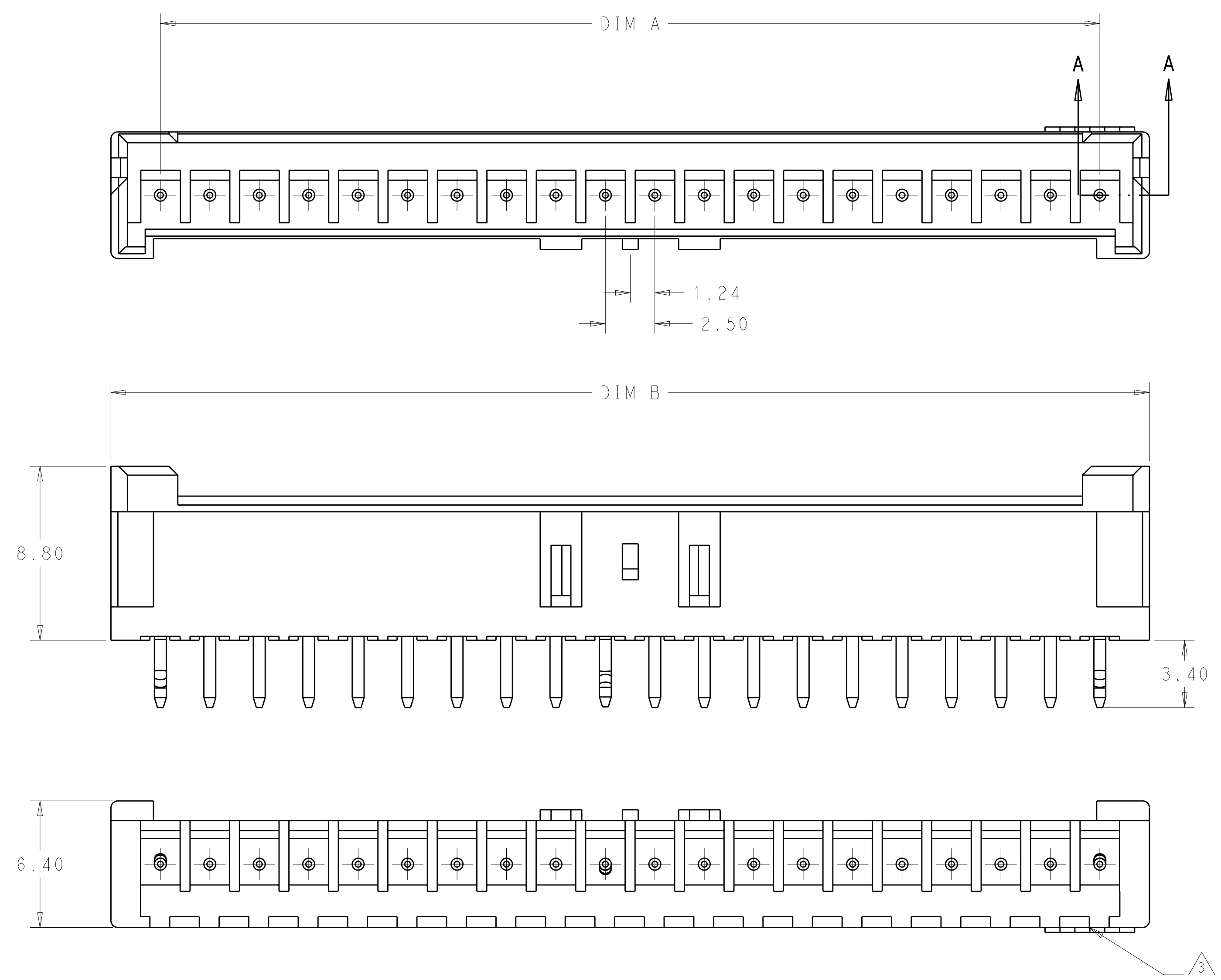


LOC		DIST		REVISIONS			
AD	00	P	LTH	DESCRIPTION	DATE	DWN	APVD
		1		DRAWN	19JAN2010	DH	JE



- NOTES:
- MATERIAL:
- HOUSING: GLASS-FILLED PA66, NATURAL, UL94V-0
 - TERMINAL: BRASS 50µ" MIN NICKEL UNDERPLATING, 80µ" MIN TIN ON PLATING CONTACT AREA.
- △ TE LOGO ON SIDE OF PART IN APPROXIMATE LOCATION

KINK CIRCUIT LOCATION	DIM B	DIM A	POSN	PART NUMBER
1, 10, 20	52.5	47.5	20	2-2132415-0
1, 10, 19	50.0	45.0	19	1-2132415-9
1, 9, 18	47.5	42.5	18	1-2132415-8
1, 9, 17	45.0	40.0	17	1-2132415-7
1, 8, 16	42.5	37.5	16	1-2132415-6
1, 8, 15	40.0	35.0	15	1-2132415-5
1, 7, 14	37.5	32.5	14	1-2132415-4
1, 7, 13	35.0	30.0	13	1-2132415-3
1, 6, 12	32.5	27.5	12	1-2132415-2
1, 6, 11	30.0	25.0	11	1-2132415-1
1, 5, 10	27.5	22.5	10	1-2132415-0
1, 5, 9	25.0	20.0	9	2132415-9
1, 4, 8	22.5	17.5	8	2132415-8
1, 4, 7	20.0	15.0	7	2132415-7
1, 6	17.5	12.5	6	2132415-6
1, 5	15.0	10.0	5	2132415-5
1, 4	12.5	7.5	4	2132415-4
1, 3	10.0	5.0	3	2132415-3
1, 2	7.5	2.5	2	2132415-2

DIMENSIONS: mm TOLERANCES UNLESS OTHERWISE SPECIFIED: 9 PLC ±0.5 1 PLC ±0.13 5 PLC ±0.013 4 PLC ±0.001 ANGLES ±0.001 FINISH: -		DWN: D. HUMBERT 19JAN2010 CHK: J. EBY 19JAN2010 APVD: J. EBY 19JAN2010	Tyco Electronics Corporation Harrisburg, PA 17105-3608
MATERIAL: - FINISH: -		NAME: HEADER ASSEMBLY, VERTICAL, ECONOMY POWER, 2.5mm CENTERLINE PRODUCT SPEC: - APPLICATION SPEC: - WEIGHT: - CUSTOMER DRAWING	SIZE: A1100779 CAGE CODE: C=2132415 SCALE: 6:1 SHEET: 1 OF 1 REV: 1