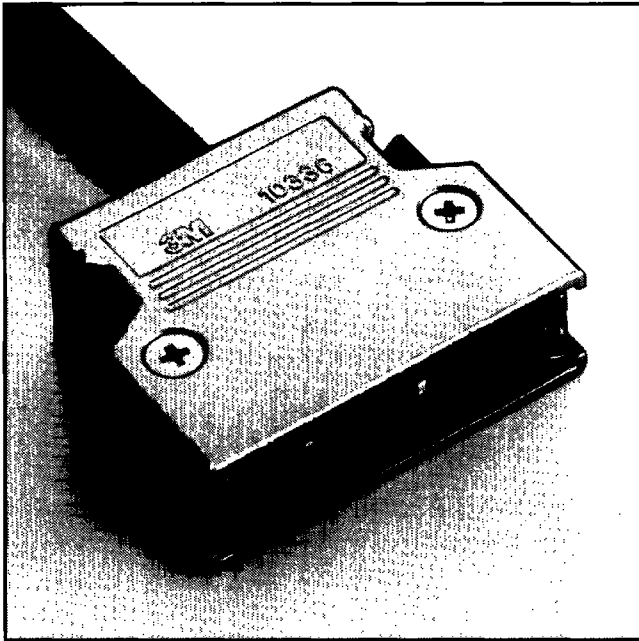


# Mini D Ribbon Connectors

Metal Junction Shell for Round Cable

103XX-A200 Series



- 180 degree round cable exit
- Durable metal die cast material shell
- Light weight/thin wall aluminum
- Excellent EMI/ESD protection
- Reliable latching mechanism

TS-0341-06  
Sheet 1 of 2

161

## Physical

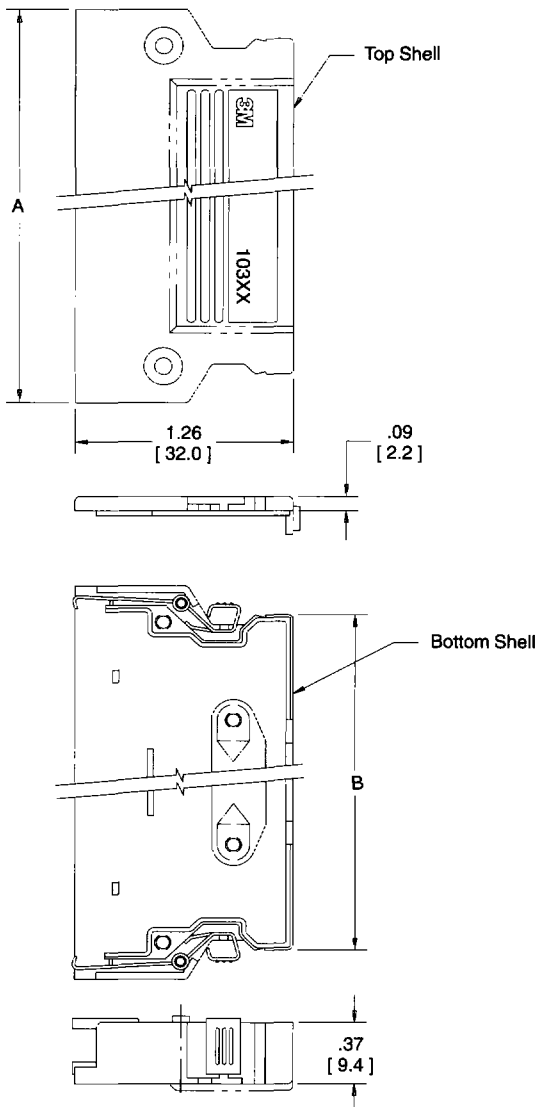
**Shell Material:** Aluminum, .05 [ 1.27 ] Thick

**Shell Plating:** Nickel

**Marking:** 3M Logo and Part Number

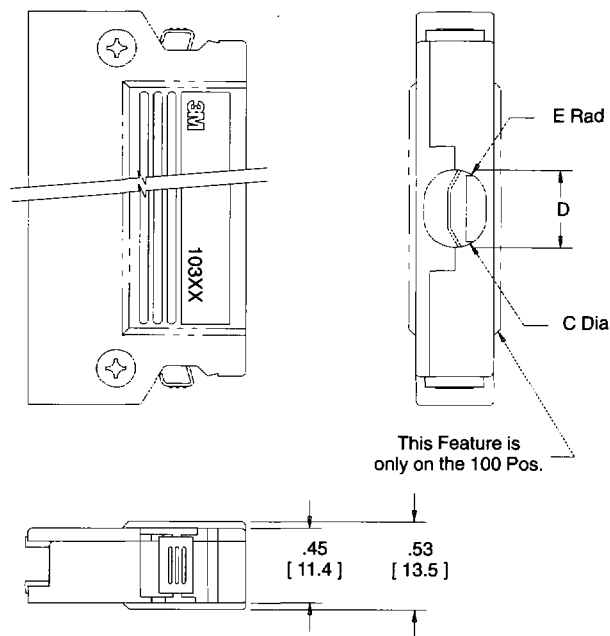
# Mini D Ribbon Connectors Metal Junction Shell for Round Cable

103XX-A200 Series



**Package Contents:**

- 1 - Cable Clamp (Plated Steel)
- 2 - M2.6 x 6mm Flat Head Screws
- 2 - M2.6 x 4mm Pan Head Screws
- 2 - Metal Shell Halves
- 2 - Metal Latches



**Assembled Junction Shell**

Inch [mm]			
Tolerance Unless Noted			
	.0	.00	.000
Inch	±.1	±.01	±.005

[ ] Dimensions for Reference only

3M Part Number	Contact Quantity	Dimensions				
		A	B	C	D	E
10314-A200-00	14	1.01 [ 25.8 ]	0.78 [ 19.9 ]	.27 [ 6.8 ]		
10320-A200-00	20	1.17 [ 29.7 ]	0.82 [ 21.0 ]	.31 [ 8.0 ]		
10326-A200-00	26	1.32 [ 33.5 ]	0.97 [ 24.8 ]	.33 [ 8.5 ]		
10336-A200-00	36	1.57 [ 39.8 ]	1.22 [ 31.3 ]	.35 [ 9.0 ]		
10340-A200-00	40	1.67 [ 42.4 ]	1.32 [ 33.7 ]	.35 [ 9.0 ]		
10350-A200-00	50	1.92 [ 48.7 ]	1.57 [ 40.0 ]		.39 [ 10.0 ]	.18 [ 4.5 ]
10368-A200-00	68	2.37 [ 60.1 ]	2.02 [ 51.4 ]		.47 [ 12.0 ]	.18 [ 4.5 ]
103A0-A200-00	100	3.16 [ 80.2 ]	2.81 [ 71.5 ]		.47 [ 12.0 ]	.22 [ 5.5 ]

## Ordering Information

**103XX-A200-00**

Contact Quantity  
(See Table)

TS-0341-06  
Sheet 2 of 2