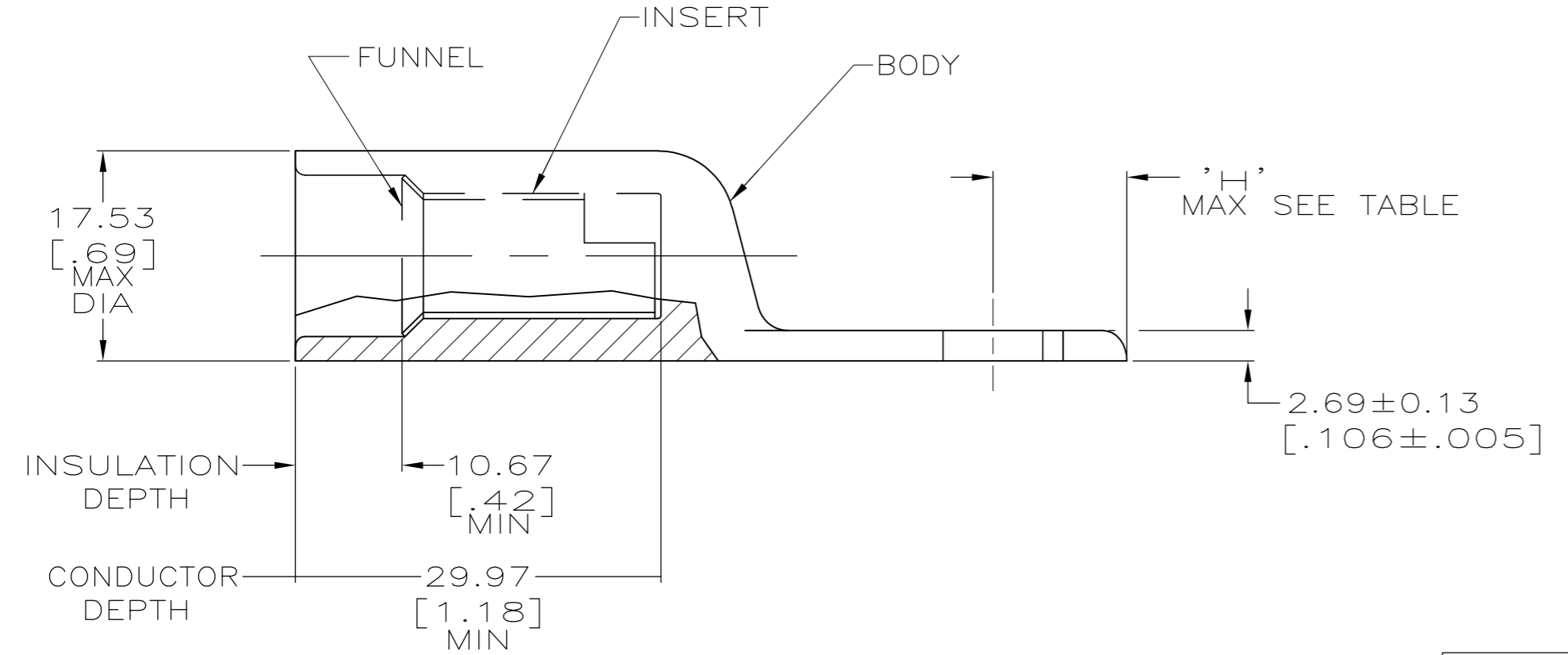
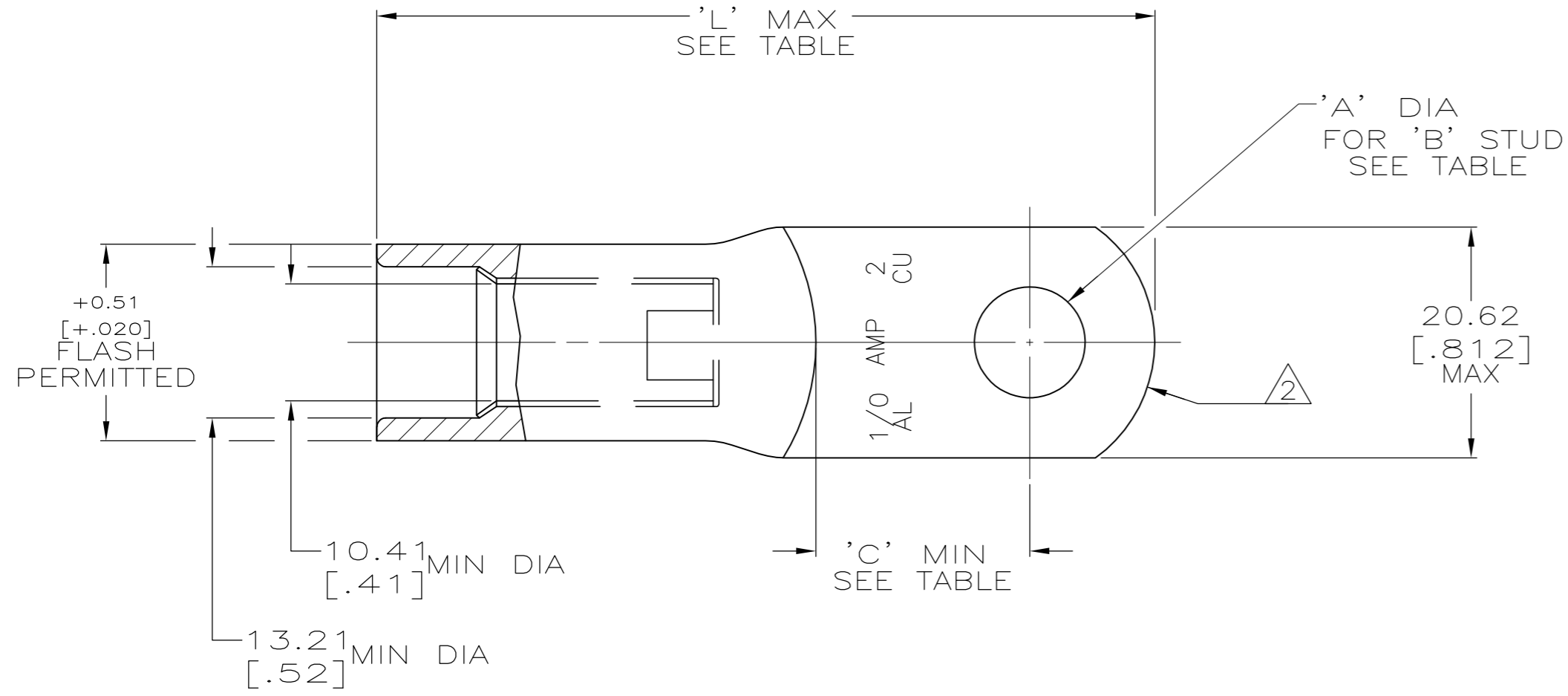


THIS DRAWING IS UNPUBLISHED. RELEASED FOR PUBLICATION
 © COPYRIGHT - By - ALL RIGHTS RESERVED.

LOC		DIST		REVISIONS			
P	LTR	DESCRIPTION		DATE	DWN	APVD	
G	86	P		REV PER ECO-12-014539	14AUG12	PY	JW



	WEIGHT	'A'	'B'	'L'	'C'	'H'	MATERIAL & FINISH	PART NO.
	-	8.33[.328]	5/16	63.75[2.51]	12.45[.49]	10.18[.401]	BODY: COPPER ASTM-B187 ANNEALED TIN PL PER MIL-T-10727 0.00381[.000150] MIN THK	277151-7
OBSOLETE	-	13.08[.515]	1/2	69.34[2.73]	16.76[.66]	11.38[.448]		277151-6
	57.0±5 GRAMS	6.73[.265]	1/4	69.34[2.73]	16.76[.66]	11.38[.448]		277151-5
OBSOLETE	-	13.08[.515]	1/2	63.75[2.51]	12.45[.49]	10.18[.401]	INSERT & FUNNEL: BRASS ASTM B36 NICKEL PL SAE AMS QQ-N-290A, DATED JULY 2000, 0.00254 [.000100] MIN THK	277151-4
	54.0±5 GRAMS	6.73[.265]	1/4	63.75[2.51]	12.45[.49]	10.18[.401]		277151-3
	56.0±5 GRAMS	9.91[.390]	3/8	69.34[2.73]	16.76[.66]	11.38[.448]		277151-2
	53.0±5 GRAMS			63.75[2.51]	12.45[.49]	10.18[.401]		277151-1

THIS DRAWING IS A CONTROLLED DOCUMENT.

DWN	DK SCHRUM	6/23/89
CHK	MS FEHER	10/16/90
APVD	AJ KAUFMAN	10/23/90
PRODUCT SPEC	108-11011	
APPLICATION SPEC	114-2134	
WEIGHT	SEE TABLE	
CUSTOMER DRAWING		

STE TE Connectivity

WIRE TERMINAL, RING TONGUE, SEALED COPALUM
55.5mm² [1/0] ALUMINUM
34.3mm² [2] COPPER

SIZE: A2 CAGE CODE: 00779 DRAWING NO: C-277151 RESTRICTED TO: -

SCALE: 2:1 SHEET: 1 of 1 REV: P