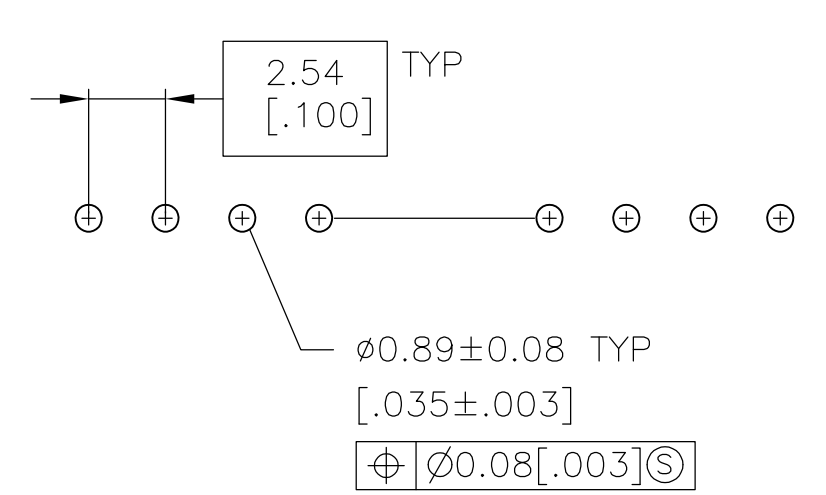
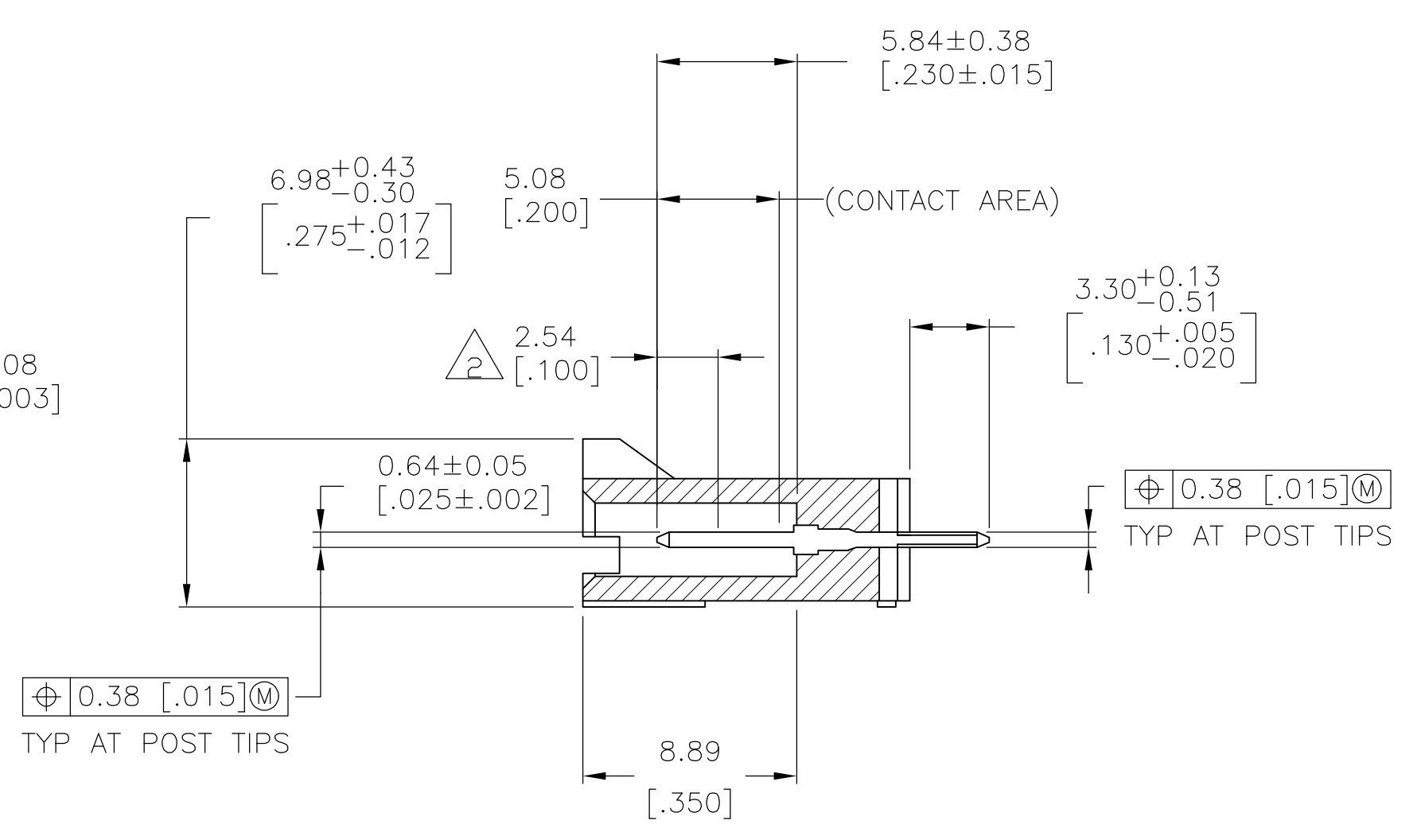
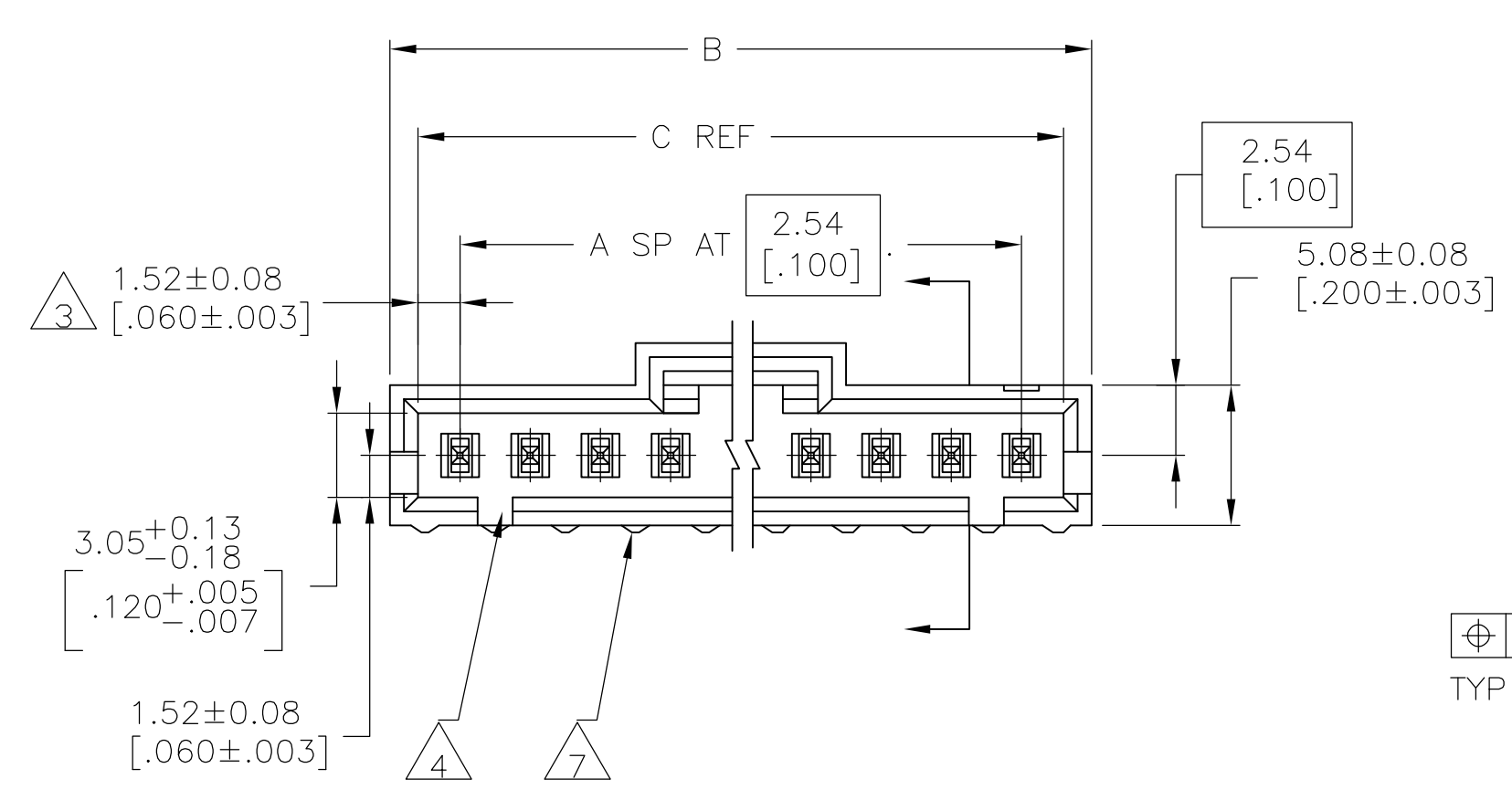
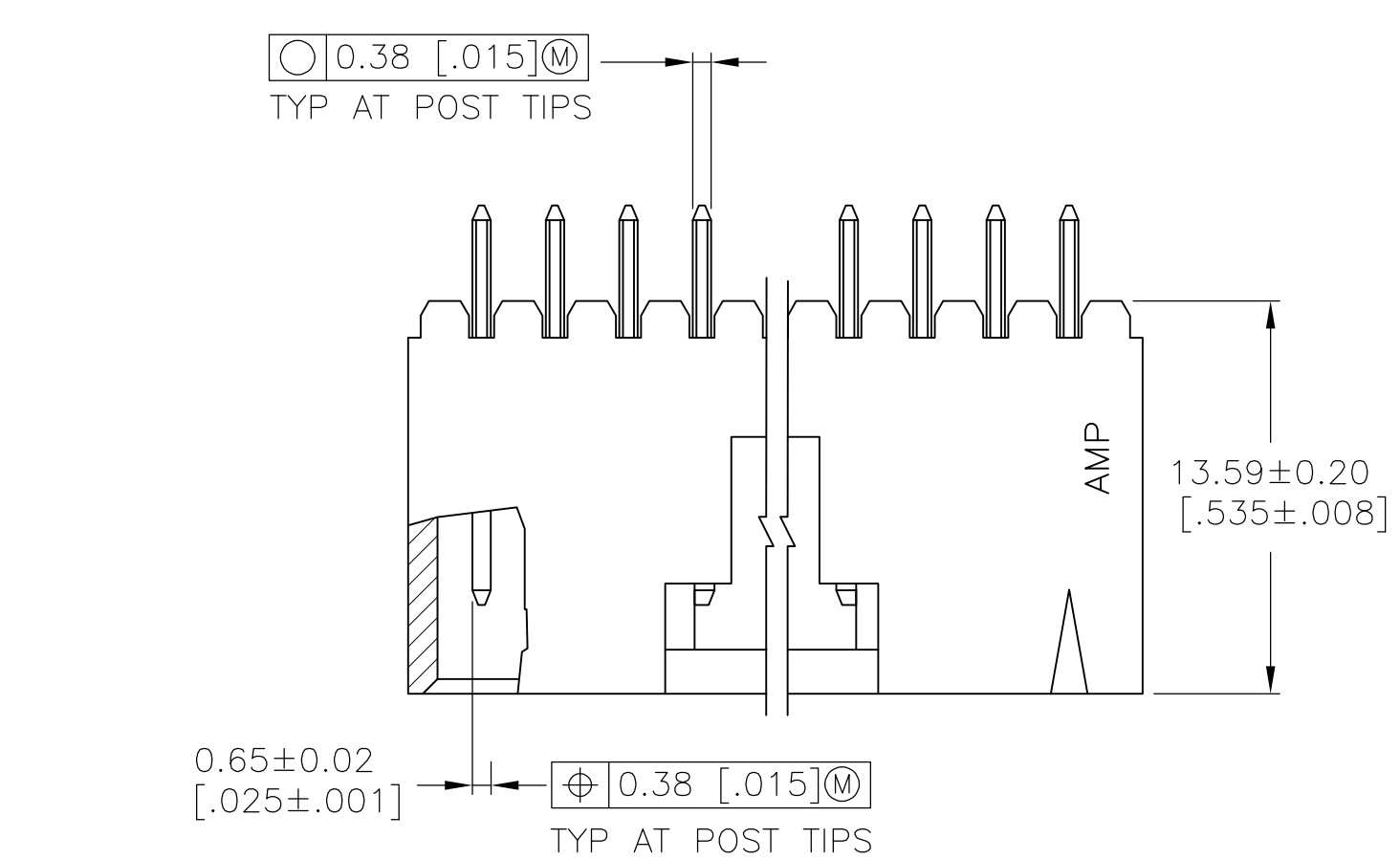


LOC		DIST		REVISIONS			
AD	00	REV	DATE	BY	CHK	APPV	
U2	REVISED PER ECO-11-004587		11MAR11	RK	HMR		



RECOMMENDED HOLE LAYOUT

- 1 .00076[.000030] GOLD IN THE CONTACT AREA, .00254[.000100] MATTE TIN-LEAD ON REMAINDER OF CONTACT, ALL OVER .00127[.000050] NICKEL.
- 2 POINT OF MEASUREMENT FOR PLATING THICKNESS.
- 3 THE NOTED DIMENSIONS APPLY AT THE INTERSECTION OF THE POST AND THE HOUSING.
- 4 ON ASSEMBLIES WITH FOUR OR MORE POSITIONS, TWO POLARIZATION SLOTS. ON ASSEMBLIES WITH TWO OR THREE POSITIONS, ONE POLARIZATION SLOT.
- 5 .00076[.000030] GOLD IN THE CONTACT AREA, .00254[.000100] MATTE TIN ON REMAINDER OF CONTACT, ALL OVER .00127[.000050] NICKEL.
- 6 HIGH TEMPERATURE CONFIGURATION
- 7 STANDOFFS NOT PRESENT ON UNDERSIDE OF ASSEMBLY
- 8 OBSOLETE PARTS: OBSOLETE CIS STREAMLINING PER D.RENAUD/D.SINISI

REMARKS	PLATING	C	B	A	NO. OF POSN	PART NO.
	1	64.01 [2.520]	66.04 [2.600]	24	25	2-103735-4
8 OBSOLETE	1	61.47 [2.420]	63.50 [2.500]	23	24	-2-103735-3
8 OBSOLETE	1	58.93 [2.320]	60.96 [2.400]	22	23	-2-103735-2
8 OBSOLETE	1	56.39 [2.220]	58.42 [2.300]	21	22	-2-103735-1
8 OBSOLETE	1	53.85 [2.120]	55.88 [2.200]	20	21	-2-103735-0
	1	51.31 [2.020]	53.34 [2.100]	19	20	1-103735-9
8 OBSOLETE	1	48.77 [1.920]	50.80 [2.000]	18	19	-1-103735-8
	1	46.23 [1.820]	48.26 [1.900]	17	18	1-103735-7
	1	43.69 [1.720]	45.72 [1.800]	16	17	1-103735-6
	1	41.15 [1.620]	43.18 [1.700]	15	16	1-103735-5
	1	38.61 [1.520]	40.64 [1.600]	14	15	1-103735-4
	1	36.07 [1.420]	38.10 [1.500]	13	14	1-103735-3
	1	33.53 [1.320]	35.56 [1.400]	12	13	1-103735-2
	1	30.99 [1.220]	33.02 [1.300]	11	12	1-103735-1
	1	28.45 [1.120]	30.48 [1.200]	10	11	1-103735-0
	1	25.91 [1.020]	27.94 [1.100]	9	10	103735-9
	1	23.37 [0.920]	25.40 [1.000]	8	9	103735-8
	1	20.83 [0.820]	22.86 [0.900]	7	8	103735-7
	1	18.29 [0.720]	20.32 [0.800]	6	7	103735-6
	1	15.75 [0.620]	17.78 [0.700]	5	6	103735-5
	1	13.21 [0.520]	15.24 [0.600]	4	5	103735-4
	1	10.67 [0.420]	12.70 [0.500]	3	4	103735-3
	1	8.13 [0.320]	10.16 [0.400]	2	3	103735-2
	1	5.59 [0.220]	7.62 [0.300]	1	2	103735-1

THIS DRAWING IS A CONTROLLED DOCUMENT.

DIMENSIONS: mm [INCHES]  
 TOLERANCES UNLESS OTHERWISE SPECIFIED:  
 0 PLC ± -  
 1 PLC ± ± 0.13[.005]  
 2 PLC ± ± -  
 3 PLC ± ± -  
 4 PLC ± ± -  
 ANGLES ± ± -

MATERIAL: HOUSING: FLAME RETARDANT THERMOPLASTIC; CONTACTS: BRASS; FINISH: SEE TABLE.

THIS DRAWING IS A CONTROLLED DOCUMENT. S. SHUEY 3-5-91; C. CASTAGNA 3-27-91; L. CASTAGNA 3-27-91.

HDY ASSY, VERT, SINGLE ROW 2.54[.100] @, 0.64[.025] SQ POST, WITH PLZN & LATCHING, AMPMODU MTE.

SIZE: A1; CAGE CODE: 00779; DRAWING NO: 103735; WEIGHT: -; RESTRICTED TO: -; CUSTOMER DRAWING: -; SCALE: 4:1; SHEET: 1 OF 2; REV: U2.

LOC	DIST	P	LTR	DESCRIPTION	DATE	DN	APVD
-	-	-	-	SEE SHEET 1	-	-	-

		△6	△7	△5	64.01 [2.520]	66.04 [2.600]	24	25	7-103735-4
△8	OBSOLETE	△6	△7	△5	61.47 [2.420]	63.50 [2.500]	23	24	-7-103735-3
△8	OBSOLETE	△6	△7	△5	58.93 [2.320]	60.96 [2.400]	22	23	-7-103735-2
△8	OBSOLETE	△6	△7	△5	56.39 [2.220]	58.42 [2.300]	21	22	-7-103735-1
△8	OBSOLETE	△6	△7	△5	53.85 [2.120]	55.88 [2.200]	20	21	-7-103735-0
		△6	△7	△5	51.31 [2.020]	53.34 [2.100]	19	20	6-103735-9
△8	OBSOLETE	△6	△7	△5	48.77 [1.920]	50.80 [2.000]	18	19	-6-103735-8
△8	OBSOLETE	△6	△7	△5	46.23 [1.820]	48.26 [1.900]	17	18	-6-103735-7
		△6	△7	△5	43.69 [1.720]	45.72 [1.800]	16	17	6-103735-6
		△6	△7	△5	41.15 [1.620]	43.18 [1.700]	15	16	6-103735-5
		△6	△7	△5	38.61 [1.520]	40.64 [1.600]	14	15	6-103735-4
		△6	△7	△5	36.07 [1.420]	38.10 [1.500]	13	14	6-103735-3
△8	OBSOLETE	△6	△7	△5	33.53 [1.320]	35.56 [1.400]	12	13	-6-103735-2
		△6	△7	△5	30.99 [1.220]	33.02 [1.300]	11	12	6-103735-1
		△6	△7	△5	28.45 [1.120]	30.48 [1.200]	10	11	6-103735-0
		△6	△7	△5	25.91 [1.020]	27.94 [1.100]	9	10	5-103735-9
		△6	△7	△5	23.37 [.920]	25.40 [1.000]	8	9	5-103735-8
		△6	△7	△5	20.83 [.820]	22.86 [.900]	7	8	5-103735-7
		△6	△7	△5	18.29 [.720]	20.32 [.800]	6	7	5-103735-6
		△6	△7	△5	15.75 [.620]	17.78 [.700]	5	6	5-103735-5
		△6	△7	△5	13.21 [.520]	15.24 [.600]	4	5	5-103735-4
		△6	△7	△5	10.67 [.420]	12.70 [.500]	3	4	5-103735-3
		△6	△7	△5	8.13 [.320]	10.16 [.400]	2	3	5-103735-2
		△6	△7	△5	5.59 [.220]	7.62 [.300]	1	2	5-103735-1
	REMARKS		PLATING	C	B	A	NO. OF POSN	PART NO.	

THIS DRAWING IS A CONTROLLED DOCUMENT.

DIMENSIONS: mm [INCHES]	TOLERANCES UNLESS OTHERWISE SPECIFIED: 0. PLC ± - 1. PLC ± - 2. PLC ± - 3. PLC ± - 4. PLC ± - ANGLES ± -	FINISH SEE TABLE	WEIGHT -	SIZE A1	CAGE CODE 00779	DRAWING NO. 103735	RESTRICTED TO -
----------------------------	--	---------------------	-------------	------------	--------------------	-----------------------	--------------------

DBN: S. SHUEY 3-5-91  
 CHK: L. CASTAGNA 3-27-91  
 APVD: L. CASTAGNA 3-27-91  
 NAME: L. CASTAGNA  
 PRODUCT SPEC: -  
 APPLICATION SPEC: -  
 CUSTOMER DRAWING

**STE** TE Connectivity  
 HDR ASSY, VERT, SINGLE ROW  
 2.54[.100] @ 0.64[.025] SQ POST,  
 WITH PLZN & LATCHING, AMPMODU MTE

SCALE: 4:1 SHEET 2 OF 2 REV U2