

**MTG-GL-168**

REPLACES  
DRAWING NUMBER  
AO 18-38

ISSUE  
11

REVISIONS

6	9/96
AO 18-275	
7	12/96
AO 18-293	
8	7/97
CO-000083	
9	8/97
CO-000106	
10	CO/395
I WEIR 6/98	
11	PM 03/05
0011918	

DRAWN  
M. LOCH

CHECK  
I. WEIR

DESIGN  
J. BOYD

AUTHOR/P. P. TRICKETT

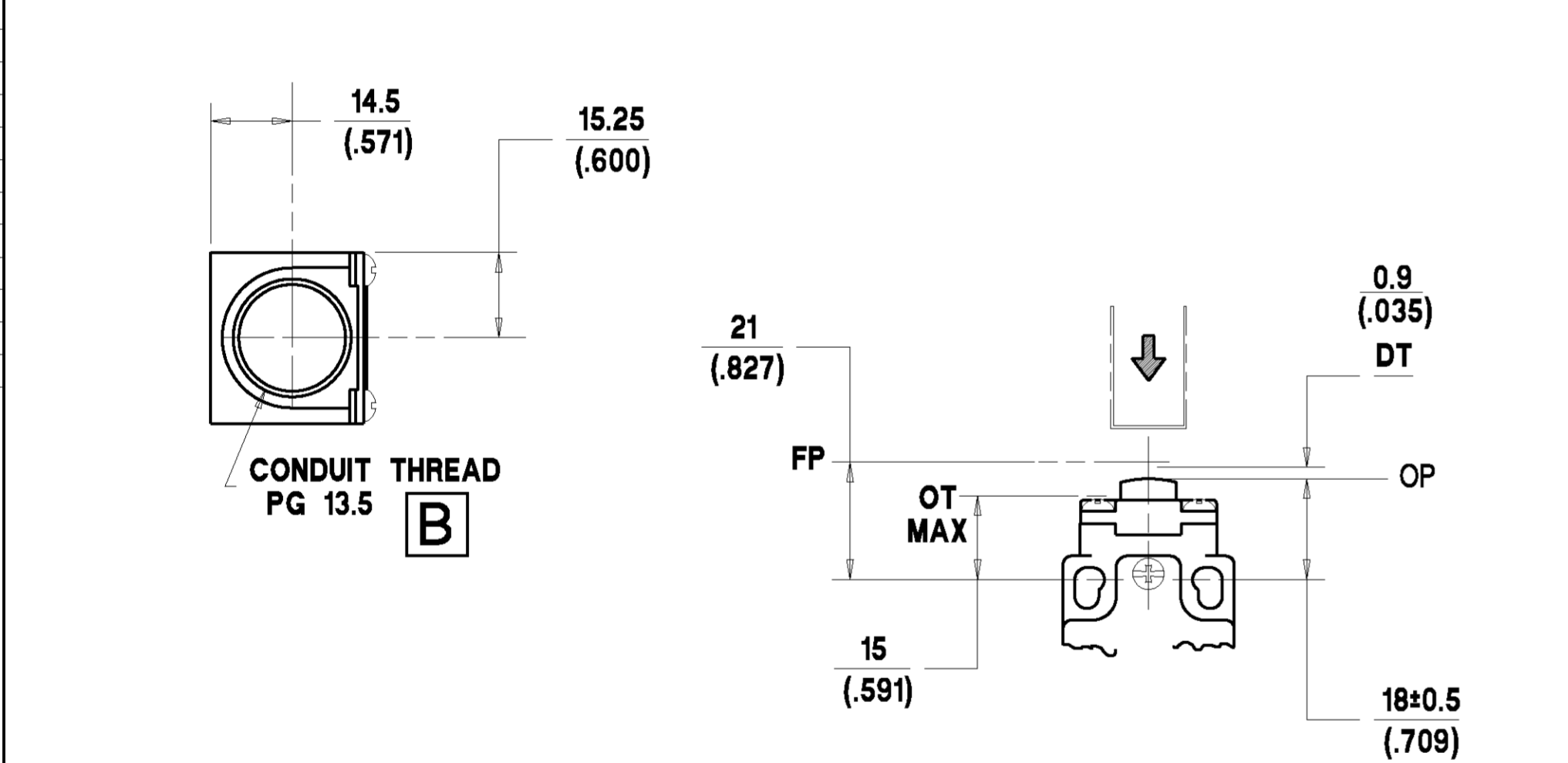
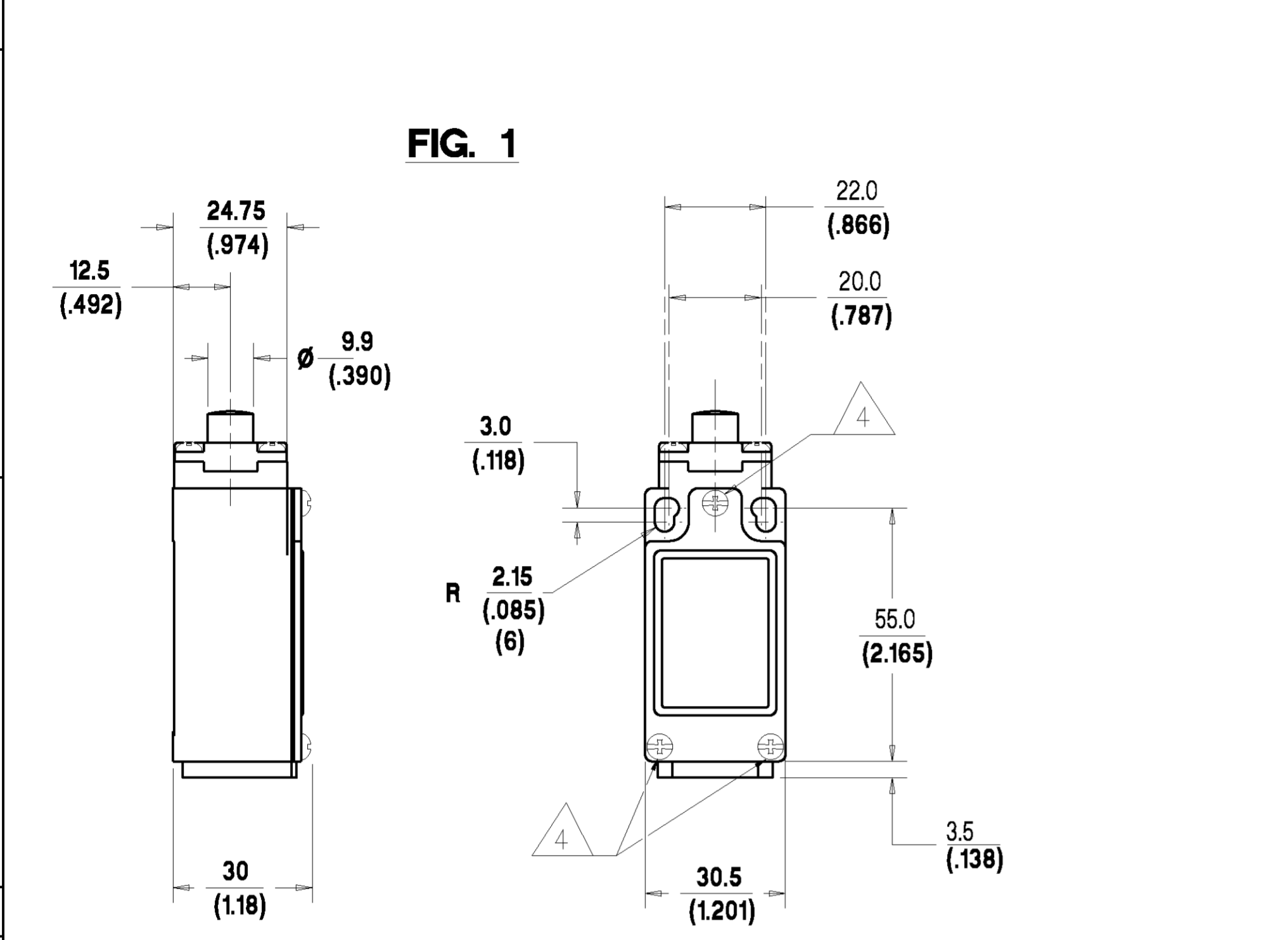
DATE  
4/93  
5/93  
5/93

MODIFY ON CAD SYSTEM ONLY

**Honeywell**

**LIMIT SWITCH**

CATALOGUE LISTING  
**GLS**  
CHART NO.  
**MTG-GL-168**



NOTES:-

- ZINC DIECAST BODY AND HEAD WITH STEEL COVER. BODY AND COVER FINISHED IN MICRO SWITCH BLUE EPOXY PAINT. HEAD FINISHED IN BLACK EPOXY PAINT.
- MINIMUM OPERATING VELOCITY (V<sub>min</sub>) = 1.0 MM/S (THESE LIMITS APPLY TO CAM OPERATION AS SHOWN IN THE ABOVE DIAGRAMS ONLY)  
MAXIMUM OPERATING VELOCITY (V<sub>max</sub>) = 100 MM/S  
MAXIMUM OPERATING FREQUENCY (F<sub>max</sub>) = 250 OPS/MIN
- FREE POSITION (FP), OPERATING POINT (OP), OVERTRAVEL (OT) AND PRETRAVEL (PT) ALL TO EN50047.

△ MAXIMUM TIGHTENING TORQUE FOR FIXING SCREW = 0.5Nm (4.4 in.LB)

NO CHANGES CAN BE MADE TO THIS DRAWING WITHOUT JOINT NEWHOUSE/FREEPORT APPROVAL

STANDARD SILVER CONTACTS	GOLD PLATED CONTACTS	ENVIRONMENTAL		APPROVALS
ELECTRICAL RATING	ELECTRICAL RATING	ENVIRONMENTAL		APPROVALS
AC	DC	ENVIRONMENTAL		APPROVALS
A300 AC15 U <sub>e</sub> I <sub>e</sub>	O300 DC13 U <sub>e</sub> I <sub>e</sub>	ENVIRONMENTAL		APPROVALS
VOLTS AMPS 120 6 240 3	VOLTS AMPS 125 0.55 250 0.27	ENVIRONMENTAL		APPROVALS
I <sub>th</sub> = 10A		ENVIRONMENTAL		APPROVALS
1V 10μA MIN. 50V 100mA MAX.		ENVIRONMENTAL		APPROVALS
SHOCK : 50G PER IEC 68-2-27 VIBRATION : 10G PER IEC 68-2-6		ENVIRONMENTAL		APPROVALS
IP66 NEMA 1, 4, 12, 13		ENVIRONMENTAL		APPROVALS
TEMP RANGE : -25°C TO 85°C -13°F TO 185°F		ENVIRONMENTAL		APPROVALS
STORAGE : -40°C TO 85°C -40°F TO 185°F		ENVIRONMENTAL		APPROVALS
IEC 947-5-1 EN50047		ENVIRONMENTAL		APPROVALS

SNAP-ACTION CONTACTS 	SLOW-ACTION CONTACTS (BREAK BEFORE MAKE) 	SLOW-ACTION CONTACTS (MAKE BEFORE BREAK) 	SLOW-ACTION CONTACTS (2 NORMALLY CLOSED) 	CONTACT BLOCK DIAGRAM TERMINAL DESIGNATION TO EN 50013
				NOMINAL TRAVELS AND RELATED TERMINALS CONTACT CLOSED CONTACT OPEN * POSITIVE OPENING TO IEC 947-5-1-3
16 (3.6) 23 (5.2)	14 (3.2) 24 (5.4)	16 (3.6) 27 (6.1)	13 (2.9) 23 (5.2)	NORMAL OPERATING FORCE MAX. N (lbf) MAXIMUM DISCONNECT FORCE N (lbf)

