

.100" IDC CABLE STRIPS

HCMD, HCMS
HCSD, HCSS

Mates with:

TSW, MTSW, TST, EW, BST, LCW, ZST, MTLW, TSM

Features:

- Low Profile
- Skinny side locks
- Dual beam contacts
- Single & double row
- High temp insulator
- Odd lead counts
- Customs our specialty
- Easy assembly

Specifications:
HCSD, HCSS

Insulator Material: Black Liquid Crystal Polymer
Flammability Rating: UL 94V-0

Insulation Resistance: 5000 MΩ

Temperature Range: -65°C to +80°C

Withstanding Voltage: 1000 VRMS @ 60 Hz

Contact: Phosphor Bronze
Plating: 10μ" (0,25μm) on contact area, 150μ" (3,81μm) Sn on balance over 50μ" (1,27μm) Ni.

Current Rating: 1A
Contact Resistance: 10 mΩ max

Lead Size Range: .024" (0,61mm) SQ to .026" (0,66mm) SQ

Lead Insertion Depth: .185" (4,70mm) to .250" (6,35mm)

Insertion Force: 6 oz avg (1,67N) average with .025" (0,64mm) SQ probe

Withdrawal Force: 3 oz avg (0,83N) average with .025" (0,64mm) SQ probe

Wire: 28 AWG 7/36 stranded Tinned Copper

Specifications:
HCMD, HCMS

Insulator Material: Black Liquid Crystal Polymer
Flammability Rating: UL 94V-0

Insulation Resistance: 5000 MΩ

Temperature Range: -65°C to +80°C

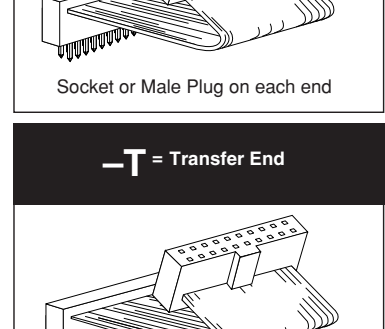
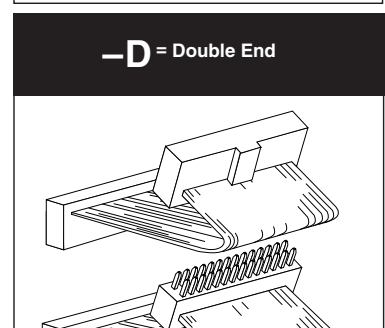
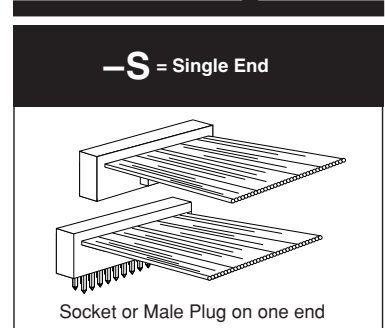
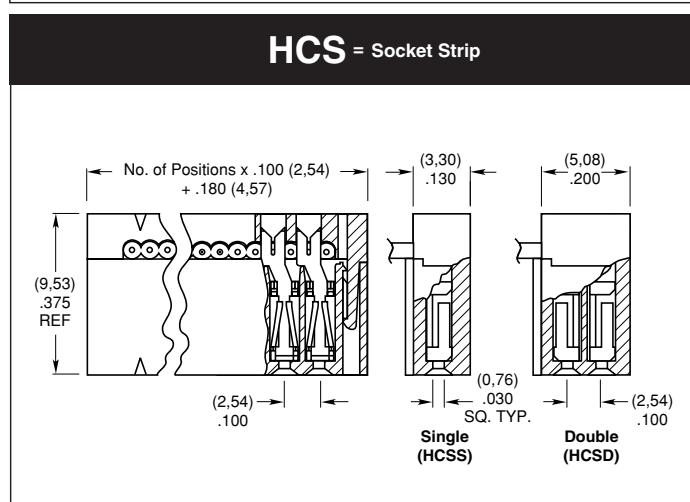
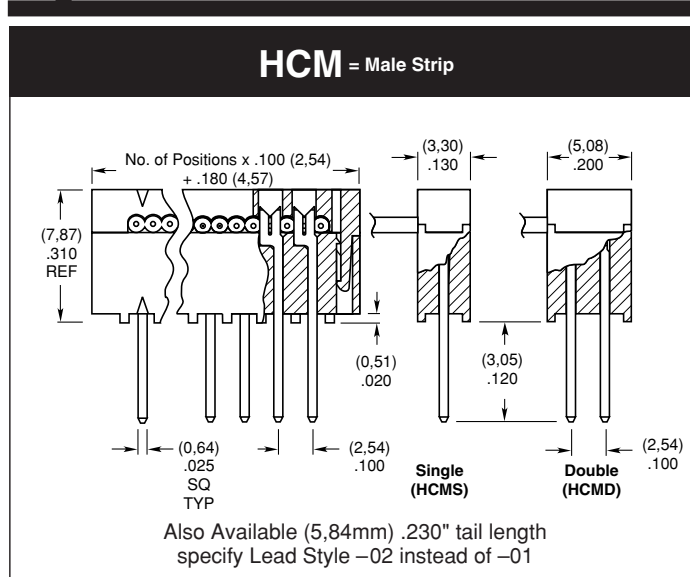
Withstanding Voltage: 1000 VRMS @ 60 Hz

Terminal: Phosphor Bronze
Plating: Sn over 50μ" (1,27μm) Ni

Current Rating: 1A
Wire: 28 AWG 7/36 stranded Tinned Copper

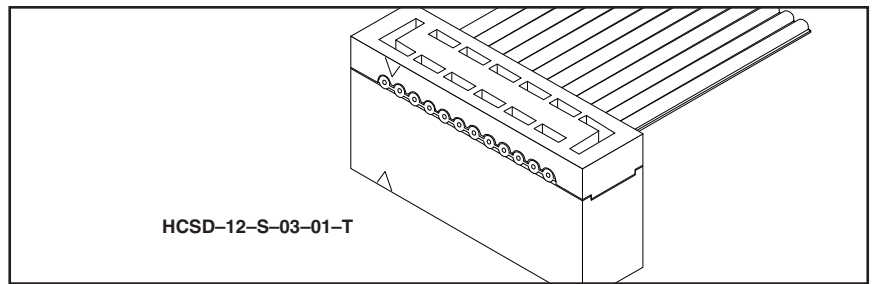
Note: IDC assemblies are non-standard, non-returnable.

TYPE STRIP	ROW OPTION	NO. PINS PER ROW	END ASSEMBLY
	S = Single	-05, -07, -08, -10, -12, -13, -15, -17, -20, -25, -30, -32, -36 (Call Samtec other sizes)	
	D = Double (Color coded cable N/A for 31 thru 36 pins/row. See -G option.)		



Due to technical progress, all designs, specifications and components are subject to change without

WWW.SAMTEC.COM



.100" IDC CABLE STRIPS

HCMD, HCMS
HCSD, HCSS

ASSEMBLED LENGTH	01 PLATING OPTION	NOTCH POLARIZATION	OTHER OPTIONS
<p>-“XX” = Assembled Length</p> <p>Assembled Length in INCHES ($\pm 1/8$" 2 inches minimum</p>	<p>-S = 10μ" (0,25μm) Gold on contact area or tail, Tin on balance (Standard on HCSS & HCSD. Leave blank)</p> <p>-T = Tin (Standard on HCMS & HCMD. Leave blank)</p>	<p>-N = Notch Polarization</p> <p>Required for HCSS and HCSD. (Not available on HCMS or HCMD, unless Transfer, then only the socket is polarized.)</p>	

<p>-P “XX” = Position Polarization</p> <p>Single Double</p> <p>Specify “XX” as position. For Double the same position will be polarized on both ends. (Not available on HCM, unless Transfer, then only the socket is polarized)</p> <p>1</p>	<p>-ST “X” = Stripped & Tinned</p> <p>Specify Suffix from table. All dimensions are $\pm 1/16$" (1,59mm). Not available in 28 positions and higher.</p> <table border="1"> <tr> <td>-ST8</td> <td>1/8" (3,18)</td> </tr> <tr> <td>-ST4</td> <td>1/4" (6,35)</td> </tr> <tr> <td>-ST2</td> <td>1/2" (12,70)</td> </tr> <tr> <td>-ST3</td> <td>3/8" (9,53)</td> </tr> </table> <p>3</p>	-ST8	1/8" (3,18)	-ST4	1/4" (6,35)	-ST2	1/2" (12,70)	-ST3	3/8" (9,53)	<p>-S “XX” = Daisy Chain Single</p> <p>Single Row Connectors Outer Most (End of Assembly)</p> <p>When mating double row connector with two single row connectors, the outer most single will be connected to Conductor #1 and the inside single to Conductor #2.</p> <p>6</p>	<p>-R = Reversed</p> <p>7</p>
-ST8	1/8" (3,18)										
-ST4	1/4" (6,35)										
-ST2	1/2" (12,70)										
-ST3	3/8" (9,53)										
<p>-G = Gray Cable</p> <p>Standard cable is color coded. Specify -G for Gray cable with one red edge.</p> <p>2</p>	<p>-B “XX” = Breakout</p> <p>Specify “XX” as number of conducts to be broken out.</p> <p>Breakout starts with Number 1 lead indicated by brown wire or red stripe. Shown on top side.</p> <p>4</p>	<p>-D “XX” = Daisy Chain, Double</p> <p>Double Row Strips Outer Most (End of Assembly)</p> <p>6</p>	<p>-M = Middle Reversed</p> <p>Requires -SXX, -WXX or -DXX</p> <p>7</p>								
	<p>-RW = Reversed Wiring</p> <p>#1 wire opposite position #1</p> <p>5</p>	<p>-W “XX” = Wiring Reversed Daisy Chain, Single</p> <p>Same as -S “XX” except outer strip connected to conductor #2 and inside strip connected to conductor #1.</p> <p>6</p>	<p>-O = Outside Reversed</p> <p>Requires -SXX, -WXX or -DXX</p> <p>7</p>								

Due to technical progress, all designs, specifications and components are subject to change without notice.

WWW.SAMTEC.COM