

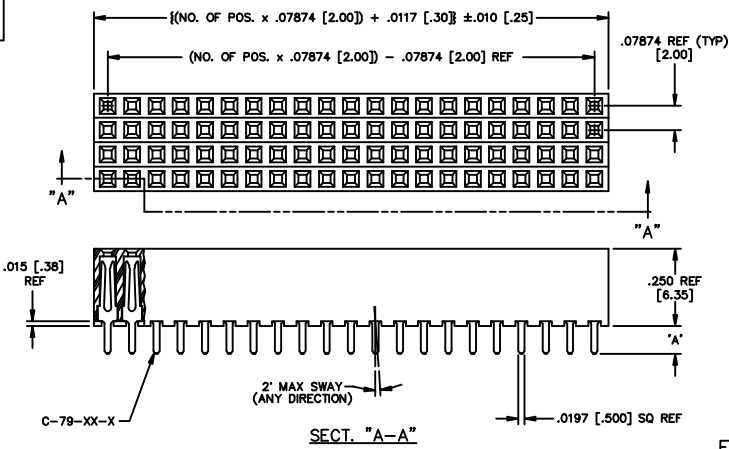
REV. BK

NOTES:

1. MINIMUM CONTACT RETENTION: 0.5 LB PER PIN.
2. -01 POSITION OFFERED FOR SINGLE ROW RIGHT ANGLE ONLY.
3. -01, -02 & -03 POSITIONS TO BE LAYER PACKAGED.
4. STOCK TO BE 62 POSITION FOR -D AND 61 POSITION FOR -S, -01 LEAD STYLE ONLY. TO BE CUT TO POSITION FOR CUSTOMER.
5. .005 [.13] MAX SHEAR BURR ALLOWANCE.

DIMENSIONS ARE IN INCHES		UNLESS OTHERWISE NOTED		TOLERANCES ARE:		TITLE: 2MM SOCKET STRIP ASSEMBLY	DWG NO: SQT-1XX-XX-XXX-X-XXX-XXX
ONE PLACE DECIMALS ± .1[2.5]		THREE PLACE DECIMALS ± .005[.127]		ANGLES ± 2°		SHEET 1 OF 3	
TWO PLACE DECIMALS ± .01[.25]		FOUR PLACE DECIMALS ± .0020[.051]					

DO NOT SCALE FROM THIS PRINT



POSITION SPECIFICATION
 -02 THRU -50 (PER ROW)
 -01 (SEE NOTE 2)

LEAD STYLE SPEC
 SEE TABLE 1

PLATING SPECIFICATION
 -F: FLASH SELECTIVE GOLD
 -L: LIGHT SELECTIVE GOLD
 -G: GOLD
 -S: SELECTIVE GOLD
 -H: HEAVY GOLD
 -FM: FLASH GOLD, MATTE TIN REMAINDER
 -LM: LIGHT SELECTIVE GOLD, MATTE TIN REMAINDER
 -SM: SELECTIVE GOLD, MATTE TIN REMAINDER
 -STL: SELECTIVE TIN/LEAD

OPTION
 -RA: RIGHT ANGLE (-01 LEAD STYLE) (SINGLE, DOUBLE, TRIPLE ROW :SEE FIG. 3, SHT. 2)
 * (QUAD ROW: SEE FIG. 6 SHT. 3)
 *-SD1: SOLDER DONUT (SEE FIG. 4)
 ** -MW: METAL WASHER (SEE FIG. 5) (AVAILABLE ON LEAD STYLES -01 & -03 ONLY) (5 POS MIN) (30 POS MAX) (.300 MAX TAIL)

POLARIZATION OPTION
 -XXX INDICATES POSITION- SEE FIG. 2 (USE PK-07)

ROW SPECIFICATION
 -S: SINGLE (USE SQT-61-S)
 -D: DOUBLE (USE SQT-62-D)
 -T: TRIPLE (USE SQT-62-T)
 -Q: QUAD (USE SQT-62-Q)

**** - MW OPTION, DO NOT DESIGN IN. SAMTEC WILL ONLY SUPPORT EXISTING BUSINESS 2/06/02.**

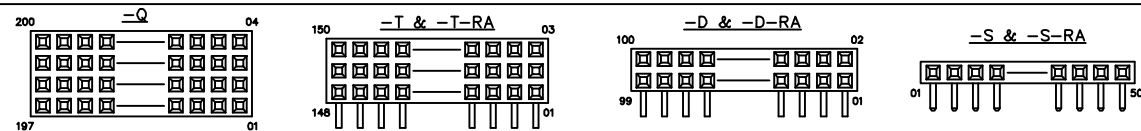


FIG. 2
 POLARIZATION OPTION LOCATION
 INSERT PK-07 INTO SPECIFIED POSITION AND BREAK OFF TAB

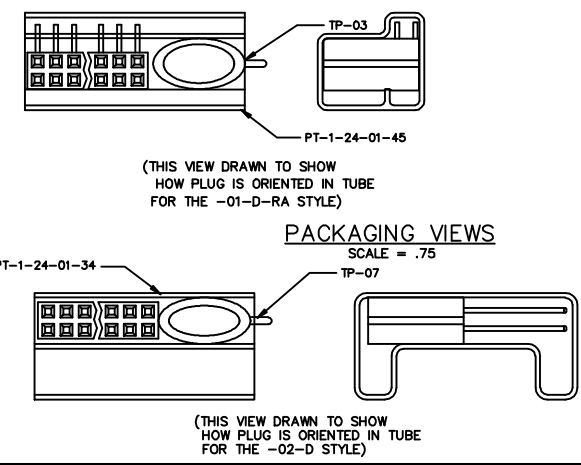


TABLE 2

ROW SPEC.	NO. OF POS.	PKG TUBE	TUBE PLUG
-03-S	04-50	PT-1-24-06-17	TP-24
-02-S	05-50	PT-1-24-10-03	TP-03
-01-S-RA	04-50	PT-1-24-01-43	TP-24
-01-D	04-50	PT-1-24-02-17	TP-09
-02-D	04-50	PT-1-24-01-34	TP-07
-03-D	04-50	PT-1-24-01-22	TP-03
-01-D-RA	04-50	PT-1-24-01-45	TP-03
-01-T	04-50	PT-1-24-05-09	TP-07
-02-T	04-50	PT-1-24-01-102	TP-07
-03-T	04-50	PT-1-24-08-15	TP-07
-01-Q	04-50	PT-1-24-15-29	TP-07
-02-Q	04-50	PT-1-24-02-51	TP-13
-03-Q	04-50	PT-1-24-16-29	TP-07
-01-T-RA	04-50	PT-1-24-06-40	TP-07
-01-S	04-50	PT-1-24-05-15	TP-24
ALL STYLES	-02 & -03	LAYER PACKAGING	

TABLE 1

LEAD STYLE	'A'	CONTACT
-01	.090 [2.29]	C-79-01-X
-01-S-RA	N/A	C-79-53-X
-01-D-RA	N/A	C-79-12-X
-01-D	N/A	C-79-53-X
-01-T-RA	N/A	C-79-12-X
-01-T	N/A	C-79-12-X
* -01-Q-RA	N/A	ASP-71394-01-X ASP-71394-02-X ASP-71394-03-X ASP-71394-04-X
-02	.600 [15.24]	C-79-02-X
-03	.208 [5.28]	C-79-53-X

PLOT SCALE: 1=,2

PROPRIETARY NOTE
 THIS DOCUMENT CONTAINS INFORMATION CONFIDENTIAL AND PROPRIETARY TO SAMTEC INC. AND SHALL NOT BE REPRODUCED OR TRANSMITTED IN ANY FORM OR BY ANY MEANS, ELECTRONIC OR MECHANICAL, INCLUDING PHOTOCOPYING, RECORDING, OR BY ANY INFORMATION STORAGE AND RETRIEVAL SYSTEM, WITHOUT THE EXPRESS WRITTEN CONSENT OF SAMTEC INC.

MATERIAL:
 CONTACT: PHOS BRONZE
 510 EXTRA HARD TEMPER
 INSULATOR: 30% GLASS-FILLED LCP
 COLOR: BLACK
 MAX REFINISH: 25%

samtec

520 PARK EAST BLVD. NEW ALBANY, INDIANA 47150
 PHONE (812) 944-6733 P.O. BOX 1147
 CODE 55322

MADE BY: BRATCHER 7-24-95
 SQT-1XX-XX-XXX-X-XXX-XXX
 SHEET 1 OF 3