

MICRO SWITCH

FREEPORT, ILLINOIS, U.S.A.
A DIVISION OF HONEYWELL

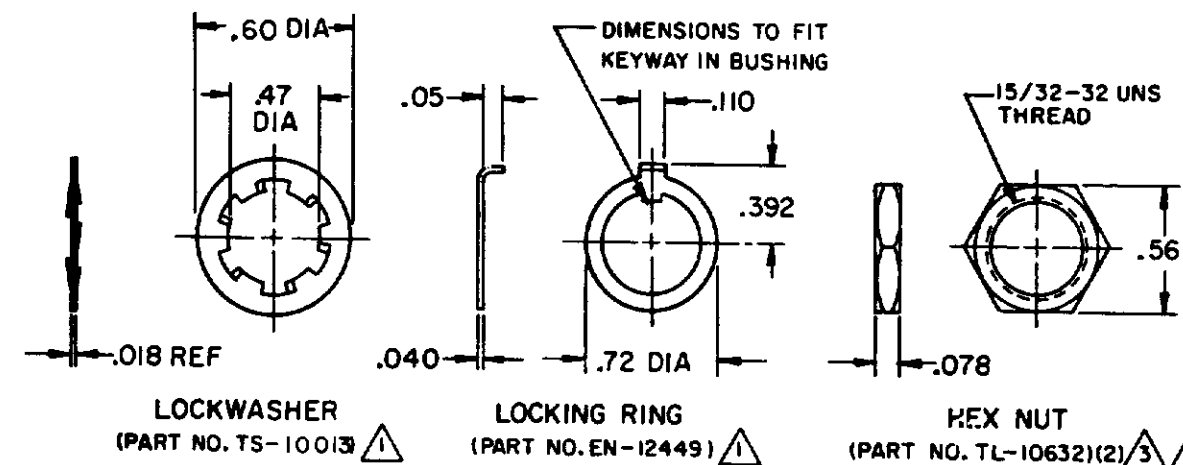
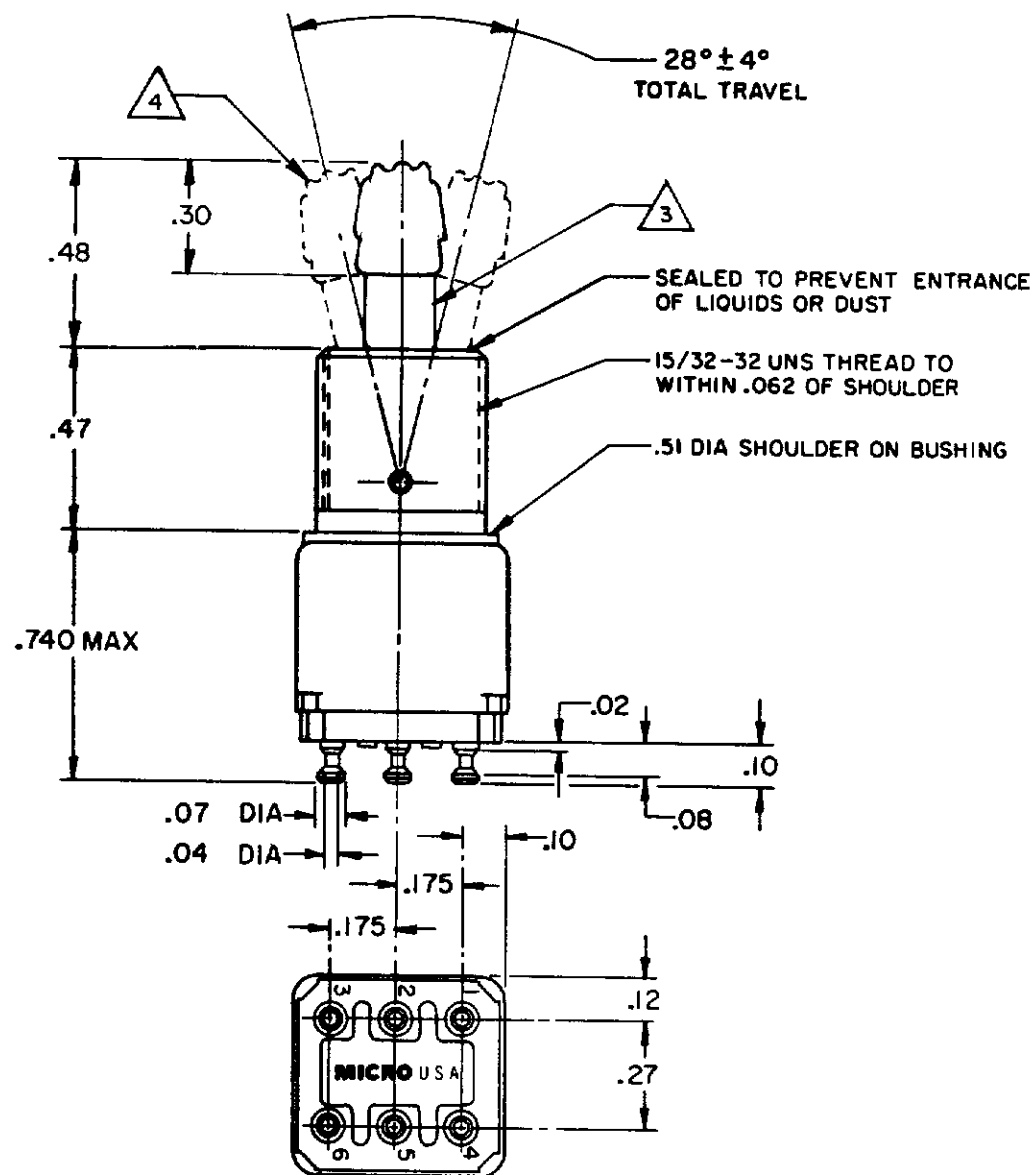
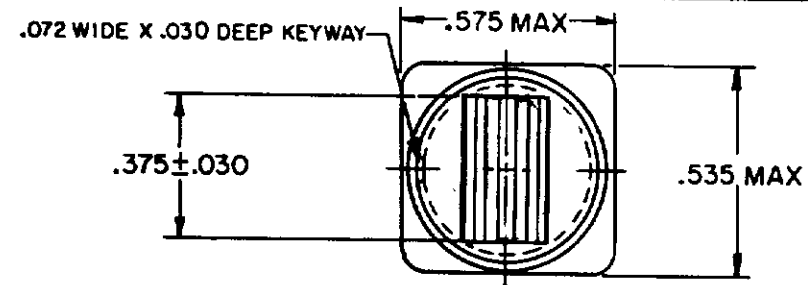
FED. MFG. CODE 91929

SWITCH - TOGGLE

CATALOG LISTING
12TW411 SERIES

CHART 1

THIS DRAWING COVERS A PROPRIETARY ITEM AND IS THE PROPERTY OF MICRO SWITCH, A DIVISION OF HONEYWELL. THIS DRAWING IS NOT TO BE COPIED OR USED WITHOUT THE APPROVAL OF MICRO SWITCH.



| CATALOG LISTING | ONE EXTREME POSITION (KEYWAY) | | CENTER POSITION | OTHER EXTREME POSITION (OPPOSITE KEYWAY) | |
|-----------------|-------------------------------|-----|-----------------|--|--------|
| | 2-1 | 5-4 | | 2-3 | 5-6 |
| 12 TW411-1 | ON | | OFF | | ON |
| 12 TW411-2 | OFF | | NONE | | ON |
| 12 TW411-3 | ON | | NONE | | ON |
| 12 TW411-5 | MOM ON | | OFF | | ON |
| 12 TW411-7 | MOM ON | | OFF | | MOM ON |
| 12 TW411-8 | MOM ON | | NONE | | ON |
| 12 TW411-205 | ON | | OFF | | MOM ON |

CATALOG LISTING
 12TW411 SERIES CHART 1
 PAGE 1 OF 1
 RELEASE NO CO-78465 REPLACES
 ISSUE 3
 CHECK
 REVISIONS
 A 885 CO-34110 EWP 21 JAN 75
 B 885 INST 8-78 HWP 10 JUN 94
 L J F
 DRAWN
 L J F 10 JUN 94 CHECK KAG 23 JUN 94 CHECK

| CHARACTERISTICS | ELECTRICAL DATA | SCALE 2 TO 1 |
|-----------------|----------------------|----------------------------|
| | CONTACT ARRANGEMENT | DO NOT SCALE PRINT |
| | CODE L117 5A-125 VAC | UNLESS OTHERWISE NOTED |
| | | DIMENSIONS ARE IN INCHES |
| | | TOLERANCES ARE |
| | | ONE PLACE : .01 : .030 |
| | | TWO PLACE : .001 : .015 |
| | | THREE PLACE : .0001 : .005 |
| | | ANGLES |
| | | WEIGHT .025 LB MAX |

NOTE -
 1 FURNISHED UNASSEMBLED
 2 - TERMINALS ARE PLATED FOR SOLDERING
 3 MATTE FINISH
 4 DULL BLACK FINISH