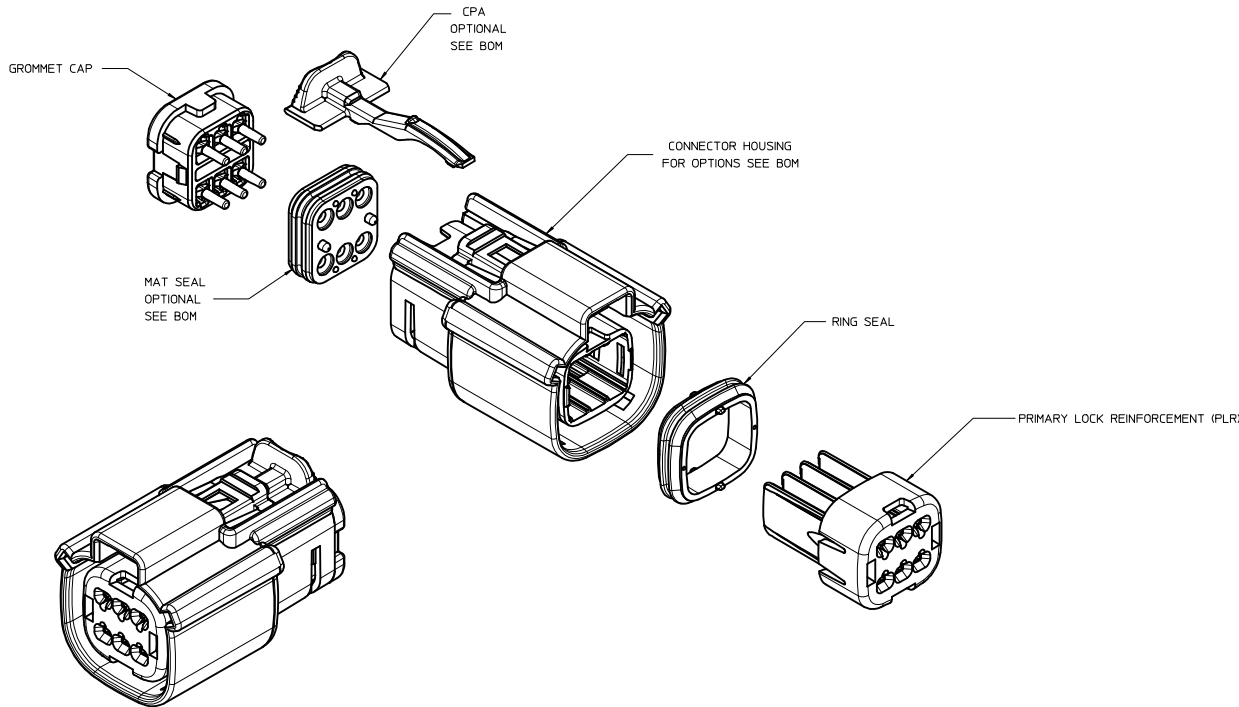


TABLE OF CONTENTS	
SHEET NO.	SHEET DESCRIPTION
1	NOTES
2	KEY CONFIGURATIONS
3	RECEPTACLE SEALED ASSEMBLY
4	BACKSHELL NOTES
5	BACKSHELL
6	BACKSHELL CONFIGURATIONS
7-8	BOM



NOTES: VALID UNLESS OTHERWISE SPECIFIED

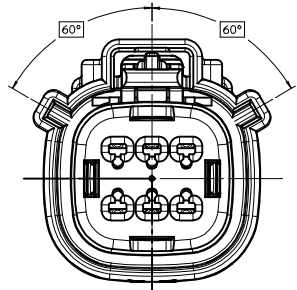
1. GENERAL:
 - a. APPLICATION SPECIFICATION SEE: AS-33472-100
 CONTAINS: PRODUCT INTRODUCTION, PRODUCT SUMMARY, CONNECTOR ASSEMBLY, PACKAGING INFORMATION, CONNECTOR MATING, SERVICE INSTRUCTIONS, ELECTRICAL CONTINUITY CHECKING CRITERIA, AND TROUBLESHOOTING
 -DESIGNED TO MATE WITH DEVICE CONNECTION AS SPECIFIED IN DRAWING EWCAP 150-S-006-2-202, AVAILABLE AT <http://ewcap.uscarteams.org/>
 -DESIGNED TO MATE WITH BLADE SEALED ASSEMBLY AS SPECIFIED IN DRAWING SD-33482-061
 -FOR 15mm RECEPTACLE TERMINALS TO BE USED WITH THIS ASSEMBLY SEE MOLEX DRAWING SD-33012-002
 - SYSTEM TO BE USED WITH WIRE WITHIN DIAMETER RANGE OF 1.2mm TO 2.69mm.
 -ASSEMBLY SHIPPED WITH PLR AND CPA IN PRE-LOCK POSITION (SEE SECTION Z-Z PRE-LOCK)
 -IN THE EVENT THAT THE PLR IS FOUND IN THE SEATED (FINAL LOCK) POSITION, REFER TO MOLEX SPECIFICATION PS-34646-001, AVAILABLE AT www.molex.com <http://www.molex.com>
 -ASSEMBLY CONFORMS TO SAE/USCAR-2 REV.4 WITH THE FOLLOWING EXCEPTIONS:
 ENGAGEMENT FORCE TO MOVE CPA FROM PRE-LOCK TO FINAL LOCK POSITION WHEN UNMATED: 40N MIN.
 DISENGAGEMENT FORCE TO MOVE CPA FROM FINAL LOCK TO PRE-LOCK POSITION: 3N MIN, 40N MAX
 TERMINAL INSERTION FORCE FOR WIRE DIAMETER ABOVE 2.5mm NOT EXCEEDING 2.69mm SHALL NOT EXCEED 40 NEWTONS.
 PLR REMOVAL FROM FINAL LOCK TO PRE-LOCK POSITION SHALL NOT EXCEED 130 NEWTONS.
 - b. PRODUCT SPECIFICATION SEE: PS-33472-000
 CONTAINS: PRODUCT INTRODUCTION, PRODUCT SUMMARY, RATINGS (CURRENT, TEMPERATURE, SEALING, AND FLAMMABILITY), AND PRODUCT VALIDATION.
 - c. PACKAGING SPECIFICATION PER MOLEX DRAWING PK-31300-993
 - d. PARTS MUST BE IN COMPLIANCE TO MOLEX CHEMICAL SUBSTANCES FOR PRODUCTS AND PACKAGING SPECIFICATION ES-40000-5016
 - e. DATA MUST BE SUBMITTED UNDER THE MOLEX PART NUMBER TO IMDS (COMPANY ID:1525)
 - f. FOR INFORMATION ON 2X3 RECEPTACLE SEALED ASSEMBLY WITH CLIPSLOT SEE SD-33472-071
2. DESIGN - MATERIALS:
 - a. SEE BOM TABLE.
3. DESIGN - GEOMETRY:
 - a. THIS IS A 100% CAD GENERATED PART. THE CAD MATHEMATICAL DATA IS THE MASTER FOR THIS PART. FOR DIMENSIONAL OR ANY INFORMATION NOT SHOWN ON THIS DRAWING, ANALYZE THE CAD MODEL.
 - b. GEOMETRIC DIMENSIONS AND TOLERANCES PER ASME Y14.5M - 1994
 - c. EDGES AND UNDIMENSIONED DETAILS PER ISO137B
 - d. CORNERS SHOWN AS SHARP TO BE R 0.2 MAX.
 - e. LETTERING SHALL BE 0.15 MAX RAISED IN 0.25 MAX RECESS PAD. THIS INCLUDES RECYCLING CODE, CAVITY ID, VENDOR IDENTIFICATION, AND CUSTOMER MATERIAL NUMBER.
 - f. VISUAL DEFECTS SHALL MEET COSMETIC STANDARD PS-45499-002 (Class B)
 - g. LASER MARKING: TBD

INSPECTION NUMBER LOG
 LAST NUMBER USED:
 ADDED:
 REMOVED:

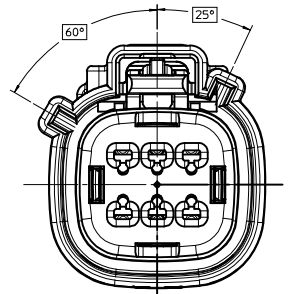
X9	UPDATED BACKSHELL INFORMATION
X8	ADD NEW P/N 33472-0681
X7	UPDATED BACKSHELL
X6	RENAMED BACKSHELLS
X5	ADD NEW P/N 33472-0678 33472-0679 33472-0680
X4	UPDATED VIEWS
X3	UPDATED NOMENCLATURE SHEET 3
X2	ADD NEW P/N 33472-0677
X1	UPDATED NOTES
X	REDRAWN, ADDED BACKSHELL

ENTER DESCRIPTION IEC NO: UAU2013-1966 DRAWN/CUNNINGHAM 2013/06/11 CHKD: APPR: VKOSHY 2013/06/20	QUALITY SYMBOLS	GENERAL TOLERANCES (UNLESS SPECIFIED)	DIMENSION STYLE	SCALE	DESIGN UNITS	THIRD ANGLE PROJECTION
	▽=0	4 PLACES ± 0.10	MM ONLY	3:1	METRIC	☉ □
	▽=0	3 PLACES ± 0.10	mm INCH	DRAWN BY DATE		
	▽=0	2 PLACES ± 0.10	DRAFT WHERE APPLICABLE MUST REMAIN WITHIN DIMENSIONS	DGRIF1 ITHS 06-05-03		
			CHECKED BY DATE	TITLE		
			DGRIF1 ITHS 06-05-03	MX150 2X3 RECEPTACLE SEALED ASSEMBLY MAT SEAL		
			APPROVED BY DATE	molex		
			VKOSHY 2010/03/04	SD-33472-061		
			MATERIAL NO.	DOCUMENT NO.	SHEET NO.	
			SEE BOM	SD-33472-061	1 OF 8	
			SIZE	THIS DRAWING CONTAINS INFORMATION THAT IS PROPRIETARY TO MOLEX INCORPORATED AND SHOULD NOT BE USED WITHOUT WRITTEN PERMISSION		
			D			

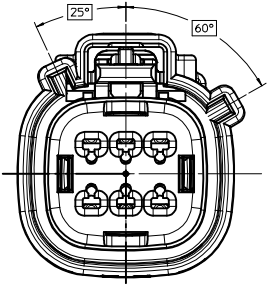
KEY CONFIGURATIONS



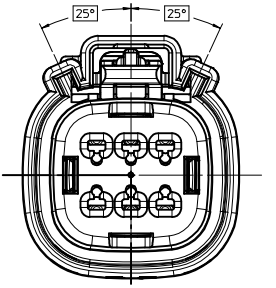
KEY A



KEY B



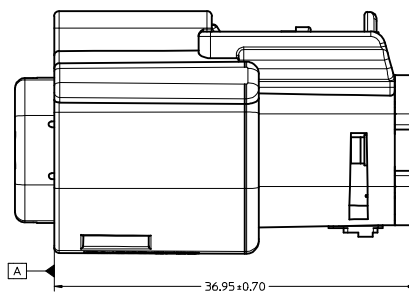
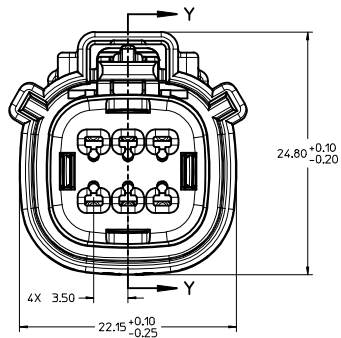
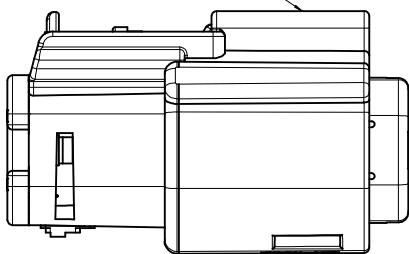
KEY C



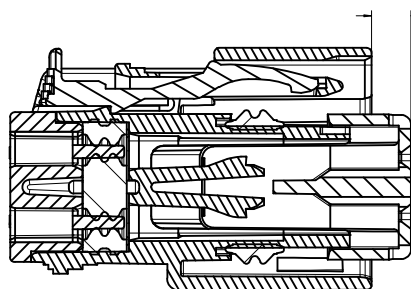
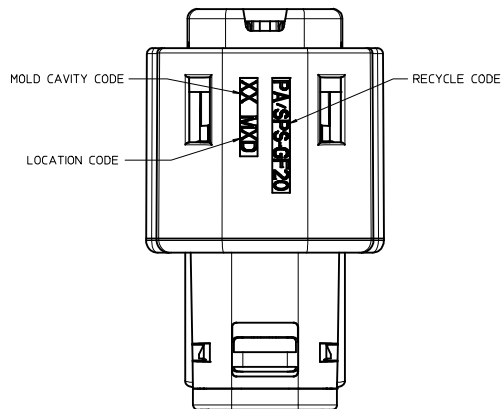
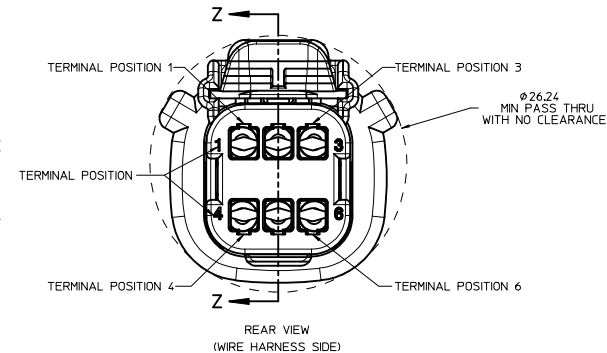
KEY D

ENTER DESCRIPTION EC NO: UAU2013-1966 DRAWN: CUNNINGHAM 2013/06/11 CHKD: X APPR: VKOSHY 2013/06/20	QUALITY SYMBOLS	GENERAL TOLERANCES (UNLESS SPECIFIED)	DIMENSION STYLE	SCALE	DESIGN UNITS	THIRD ANGLE PROJECTION
	▽=0	mm INCH	MM ONLY	4:1	METRIC	☉
	▽=0	4 PLACES ± 0.10	DRAWN BY DATE	TITLE		
	▽=0	3 PLACES ± 0.05	DGRIFITHS 06-05-03	MX150 2X3 RECEPTACLE SEALED ASSEMBLY MAT SEAL		
	ANGULAR ± 3°	DRAFT WHERE APPLICABLE MUST REMAIN WITHIN DIMENSIONS	MATERIAL NO.	DATE	DOCUMENT NO.	SHEET NO.
			SEE BOM	2010/03/04	SD-33472-061	2 OF 8
			THIS DRAWING CONTAINS INFORMATION THAT IS PROPRIETARY TO MOLEX INCORPORATED AND SHOULD NOT BE USED WITHOUT WRITTEN PERMISSION			

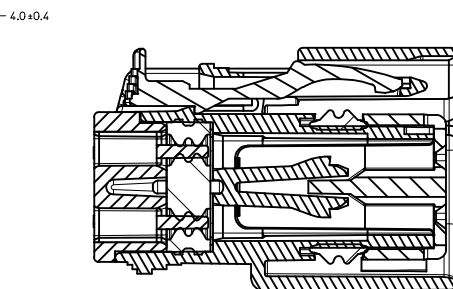
LASER MARKING ON THIS SURFACE
SEE NOTE 3g.



RECEPTACLE SEALED ASSEMBLY



PRIMARY LOCK REINFORCEMENT (PLR) SHOWN
IN PRE-STAGED POSITION
SECTION Z-Z



PRIMARY LOCK REINFORCEMENT (PLR) SHOWN
IN FINAL-LOCK POSITION
SECTION Y-Y

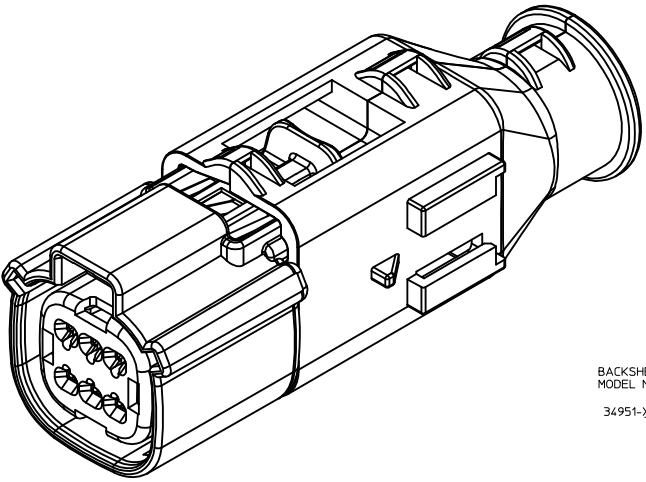
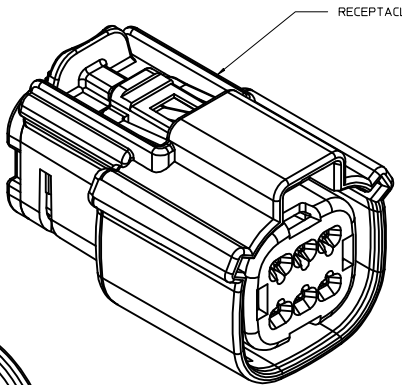
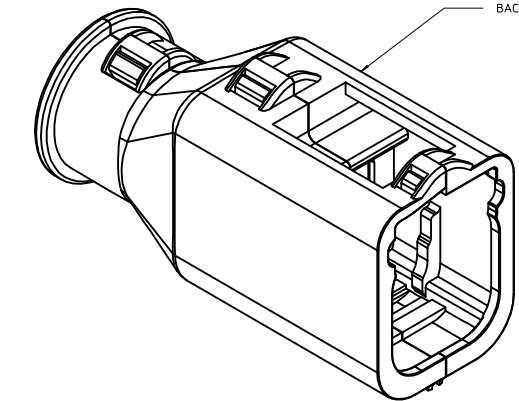
ENTER DESCRIPTION IEC NO. UAU2013-1966 DRAWN/CUNNINGHAM 2013/06/11 CHKD: APPR:VKOSHY 2013/06/20	QUALITY SYMBOLS	GENERAL TOLERANCES (UNLESS SPECIFIED)	DIMENSION STYLE	SCALE	DESIGN UNITS	THIRD ANGLE PROJECTION	
	∇=0 ∇=0 ∇=0	mm INCH 4 PLACES ± ± 3 PLACES ± ± 2 PLACES ±0.10 ± ± 1 PLACE ±0.3 ± ± 0 PLACE ± ±	MM ONLY	4:1	METRIC	DATE DATE DATE	
	DRAFT WHERE APPLICABLE MUST REMAIN WITHIN DIMENSIONS	ANGULAR ± 3 °	DRAWN BY CHECKED BY APPROVED BY	DATE DATE DATE	TITLE MX150 2X3 RECEPTACLE SEALED ASSEMBLY MAT SEAL	MATERIAL NO. SEE BOM	DOCUMENT NO. SD-33472-061
	SIZE D	SHEET NO. 3 OF 8	THIS DRAWING CONTAINS INFORMATION THAT IS PROPRIETARY TO MOLEX INCORPORATED AND SHOULD NOT BE USED WITHOUT WRITTEN PERMISSION				

BACKSHELL NOTES

BACKSHELL NOTES: VALID UNLESS OTHERWISE SPECIFIED

1. GENERAL:

- a. APPLICATION SPECIFICATION SEE: AS-34951-001
 - DESIGNED TO MATE WITH RECEPTACLE SEALED ASSEMBLY AS SPECIFIED IN DRAWING SD-33472-061
 - SYSTEM TO BE USED WITH WIRE WITHIN DIAMETER RANGE OF 1.2 mm TO 2.69 mm.
 - COMPONENTS ARE OPTIONAL AND MUST BE PURCHASED SEPARATELY
 - BACKSHELL DESIGN IS OWNED BY SCHLEMMER
 - FOR ADDITIONAL INFORMATION SEE THE BACKSHELL COMPONENT DRAWING SD-34951-0001

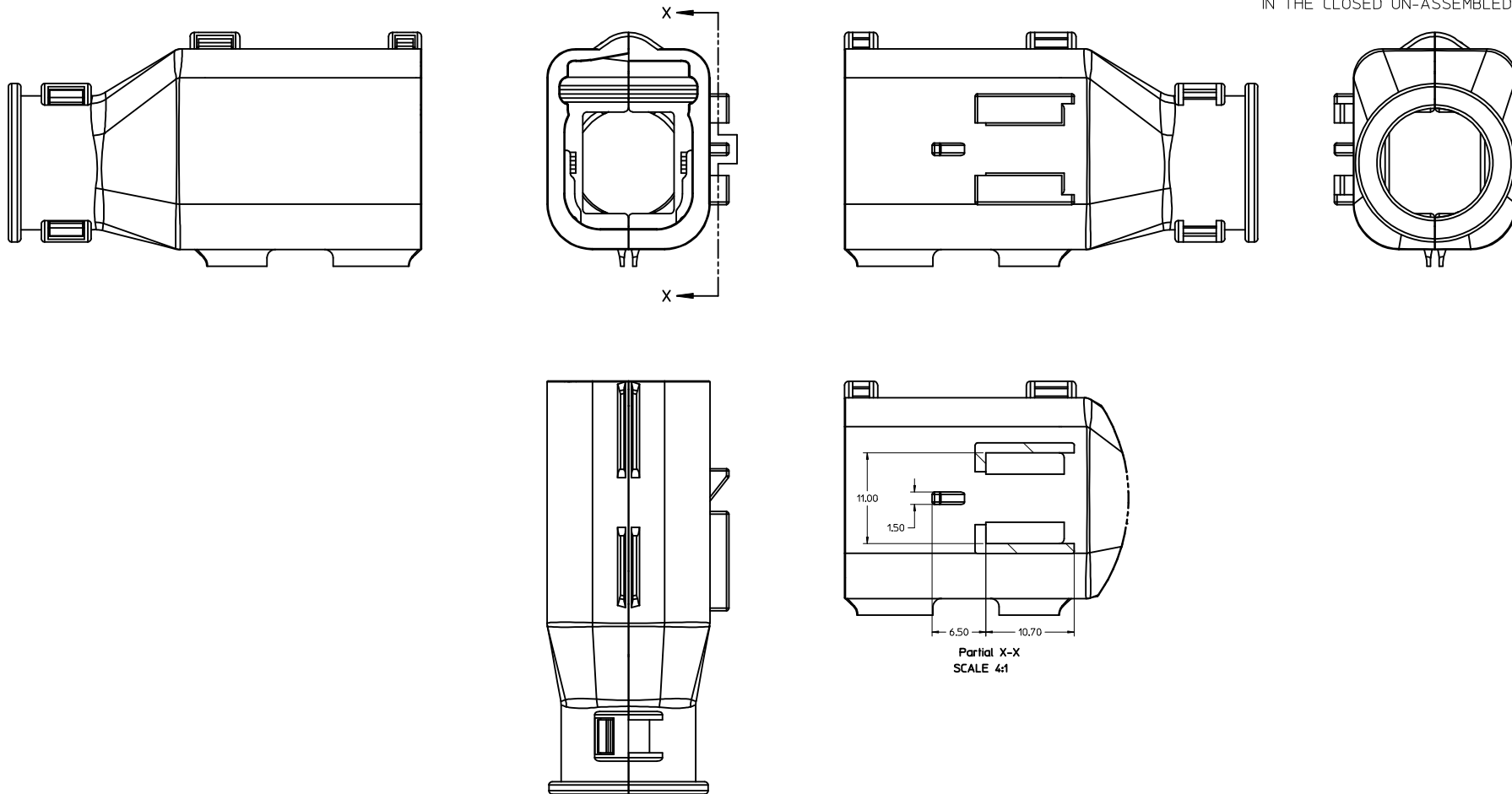


- BACKSHELL CUSTOMER MODEL NUMBER LEGEND
- 34951-XXXX
- CUSTOMER MODEL COMPONENTS
 - 0 - BACKSHELL ONLY
 - 1 - BACKSHELL & MX150 HOUSING KEY A ASSEMBLY
 - 2 - BACKSHELL & MX150 HOUSING KEY B ASSEMBLY
 - 3 - BACKSHELL & MX150 HOUSING KEY C ASSEMBLY
 - 4 - BACKSHELL & MX150 HOUSING KEY D ASSEMBLY
 - BACKSHELL FEATURES
 - 1 - WITH RIBS
 - 2 - WITHOUT RIBS
 - MX150 CIRCUIT SIZE 04, 06, 08, 12, 16, 20

ENTER DESCRIPTION DEC NO: UAU2013-1966 DRAWN/CUNNINGHAM 2013/06/11 CHKD: APPR: VKOSHY 2013/06/20	QUALITY SYMBOLS ∇=0 ∇=0 ∇=0	GENERAL TOLERANCES (UNLESS SPECIFIED) mm INCH 4 PLACES ± --- ± --- 3 PLACES ± --- ± --- 2 PLACES ± 0.10 ± --- 1 PLACE ± 0.3 ± --- 0 PLACE ± ± ANGULAR ± 3 ° DRAFT WHERE APPLICABLE MUST REMAIN WITHIN DIMENSIONS	DIMENSION STYLE MM ONLY DRAWN BY DATE DGRIFITHS 06-05-03 CHECKED BY DATE DGRIFITHS 06-05-03 APPROVED BY DATE VKOSHY 2010/03/04	SCALE 4:1 DESIGN UNITS METRIC THIRD ANGLE PROJECTION	TITLE MX150 2X3 RECEPTACLE SEALED ASSEMBLY MAT SEAL molex	MATERIAL NO. SEE BOM	DOCUMENT NO. SD-33472-061	SHEET NO. 4 OF 8
	THIS DRAWING CONTAINS INFORMATION THAT IS PROPRIETARY TO MOLEX INCORPORATED AND SHOULD NOT BE USED WITHOUT WRITTEN PERMISSION							

20 19 18 17 16 15 14 13 12 11 10 9 8 7 6 5 4 3 2 1

BACKSHELL
THE VIEWS ON THIS SHEET ARE
IN THE CLOSED UN-ASSEMBLED POSITION

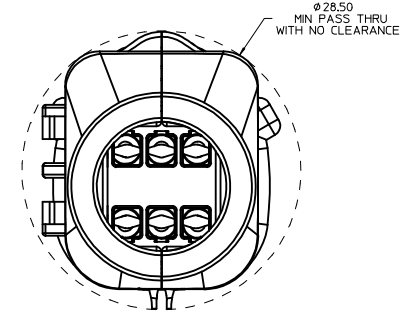
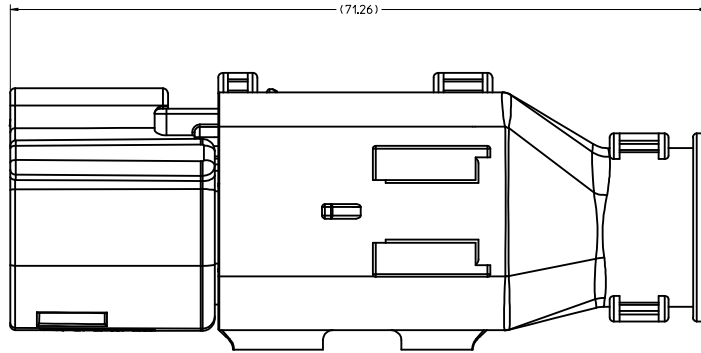


ENTER DESCRIPTION IEC NO. UAU2013-1966 DRAWN/CUNNINGHAM 2013/06/11 CHKD: APPR:VKOSHY 2013/06/20 REVISIONS 1 2 3	QUALITY SYMBOLS ∇=0 ∇=0 ∇=0	GENERAL TOLERANCES (UNLESS SPECIFIED) mm INCH 4 PLACES ± --- ± --- 3 PLACES ± --- ± --- 2 PLACES ± 0.10 ± --- 1 PLACE ± 0.3 ± --- 0 PLACE ± ±	DIMENSION STYLE MM ONLY	SCALE 4:1	DESIGN UNITS METRIC	THIRD ANGLE PROJECTION	
	DRAWN BY DGRIFITHS	DATE 06-05-03	CHECKED BY DGRIFITHS	DATE 06-05-03	APPROVED BY VKOSHY	DATE 2010/03/04	TITLE MX150 2X3 RECEPTACLE SEALED ASSEMBLY MAT SEAL
	ANGULAR ± 3 °	DRAFT WHERE APPLICABLE MUST REMAIN WITHIN DIMENSIONS	MATERIAL NO. SEE BOM	DOCUMENT NO. SD-33472-061	SHEET NO. 5 OF 8	THIS DRAWING CONTAINS INFORMATION THAT IS PROPRIETARY TO MOLEX INCORPORATED AND SHOULD NOT BE USED WITHOUT WRITTEN PERMISSION	
	SIZE D						

19 18 17 16 15 14 13 12 11 10 9 8 7 6 5 4 3 2 1

20 19 18 17 16 15 14 13 12 11 10 9 8 7 6 5 4 3 2 1

BACKSHELL CONFIGURATIONS



RECEPTACLE SEALED ASSEMBLY WITH RECEPTACLE BACKSHELL

ENTER DESCRIPTION EEC NO: UAU2013-1966 DRAWN: CUNNINGHAM 2013/06/11 CHKD: X APPR: VKOSHY 2013/06/20	QUALITY SYMBOLS ▽=0 ▽=0 ▽=0	GENERAL TOLERANCES (UNLESS SPECIFIED) mm INCH 4 PLACES ± --- ± --- 3 PLACES ± --- ± --- 2 PLACES ± 0.10 ± --- 1 PLACE ± 0.3 ± --- 0 PLACE ± ±	DIMENSION STYLE MM ONLY	SCALE 4:1	DESIGN UNITS METRIC	THIRD ANGLE PROJECTION	
	DRAFT WHERE APPLICABLE MUST REMAIN WITHIN DIMENSIONS	MATERIAL NO. SEE BOM	DRAWN BY DGRIFITHS	DATE 06-05-03	TITLE MX150 2X3 RECEPTACLE SEALED ASSEMBLY MAT SEAL	DOCUMENT NO. SD-33472-061	SHEET NO. 6 OF 8
	ANGULAR ± 3 °	MATERIAL NO. SEE BOM	CHECKED BY DGRIFITHS	DATE 06-05-03	APPROVED BY VKOSHY	DATE 2010/03/04	moxle
	THIS DRAWING CONTAINS INFORMATION THAT IS PROPRIETARY TO MOLEX INCORPORATED AND SHOULD NOT BE USED WITHOUT WRITTEN PERMISSION	MATERIAL NO. SEE BOM	APPROVED BY VKOSHY	DATE 2010/03/04	TITLE MX150 2X3 RECEPTACLE SEALED ASSEMBLY MAT SEAL	DOCUMENT NO. SD-33472-061	SHEET NO. 6 OF 8

19 18 17 16 15 14 13 12 11 10 9 8 7 6 5 4 3 2 1

DESCRIPTION	PART NUMBER	KEY	CPA	M	1	2	3	4	5	6	STATUS	COMMENTS	BACKSHELL WITH RIBS	BACKSHELL WITHOUT RIBS					
VOID KEY	33472-0640																		
KEY D, GREEN	33472-0639		D		M	1	2	3	4	5	6	NOT RECOMMENDED	34951-0610	34951-0620					
KEY C, BROWN	33472-0638		C		M	1	2	3	4	5	6	NOT RECOMMENDED	34951-0610	34951-0620					
KEY B, LIGHT GRAY	33472-0637	B			M	1	2	3	4	5	6		34951-0610	34951-0620					
KEY A, BLACK	33472-0636	A			M	1	2	3	4	5	6	SALEABLE	34951-0610	34951-0620					
VOID KEY	33472-0635																		
KEY D, W/O MAT SEAL, GREEN	33472-0634		D									NOT RECOMMENDED	NOT VALIDATED	34951-0610	34951-0620				
KEY C, W/O MAT SEAL, BROWN	33472-0633		C									NOT RECOMMENDED	NOT VALIDATED	34951-0610	34951-0620				
KEY B, W/O MAT SEAL, LIGHT GRAY	33472-0632	B										NOT RECOMMENDED	NOT VALIDATED	34951-0610	34951-0620				
KEY A, W/O MAT SEAL, BLACK	33472-0631	A										NOT RECOMMENDED	NOT VALIDATED	34951-0610	34951-0620				
VOID KEY	33472-0630																		
KEY D, W/ CPA, GREEN	33472-0629		D	CPA	M			3	4			NOT RECOMMENDED	34951-0610	34951-0620					
KEY C, W/ CPA, BROWN	33472-0628		C	CPA	M			3	4			NOT RECOMMENDED	34951-0610	34951-0620					
KEY B, W/ CPA, LIGHT GRAY	33472-0627	B		CPA	M			3	4				34951-0610	34951-0620					
KEY A, W/ CPA, BLACK	33472-0626	A		CPA	M			3	4			SALEABLE	34951-0610	34951-0620					
VOID KEY	33472-0625																		
KEY D, GREEN	33472-0624		D		M			3	4			NOT RECOMMENDED	34951-0610	34951-0620					
KEY C, BROWN	33472-0623		C		M			3	4			NOT RECOMMENDED	34951-0610	34951-0620					
KEY B, LIGHT GRAY	33472-0622	B			M			3	4				34951-0610	34951-0620					
KEY A, BLACK	33472-0621	A			M			3	4			SALEABLE	34951-0610	34951-0620					
VOID KEY	33472-0620																		
KEY D, W/ CPA, GREEN	33472-0619		D	CPA	M			3				NOT RECOMMENDED	34951-0610	34951-0620					
KEY C, W/ CPA, BROWN	33472-0618		C	CPA	M			3				NOT RECOMMENDED	34951-0610	34951-0620					
KEY B, W/ CPA, LIGHT GRAY	33472-0617	B		CPA	M			3					34951-0610	34951-0620					
KEY A, W/ CPA, BLACK	33472-0616	A		CPA	M			3				SALEABLE	34951-0610	34951-0620					
VOID KEY	33472-0615																		
KEY D, GREEN	33472-0614		D		M			3				NOT RECOMMENDED	34951-0610	34951-0620					
KEY C, BROWN	33472-0613		C		M			3				NOT RECOMMENDED	34951-0610	34951-0620					
KEY B, LIGHT GRAY	33472-0612	B			M			3					34951-0610	34951-0620					
KEY A, BLACK	33472-0611	A			M			3				SALEABLE	34951-0610	34951-0620					
VOID KEY	33472-0610																		
KEY D, W/ CPA, GREEN	33472-0609		D	CPA	M							NOT RECOMMENDED	SEE P/N 33472-0671	34951-0610	34951-0620				
KEY C, W/ CPA, BROWN	33472-0608		C	CPA	M							NOT RECOMMENDED	SEE P/N 33472-0670	34951-0610	34951-0620				
KEY B, W/ CPA, LIGHT GRAY	33472-0607	B		CPA	M								34951-0610	34951-0620					
KEY A, W/ CPA, BLACK	33472-0606	A		CPA	M							SALEABLE	34951-0610	34951-0620					
VOID KEY	33472-0605																		
KEY D, GREEN	33472-0604		D		M							NOT RECOMMENDED	SEE P/N 33472-0669	34951-0610	34951-0620				
KEY C, BROWN	33472-0603		C		M							NOT RECOMMENDED	SEE P/N 33472-0668	34951-0610	34951-0620				
KEY B, LIGHT GRAY	33472-0602	B			M								34951-0610	34951-0620					
KEY A, BLACK	33472-0601	A			M							SALEABLE	34951-0610	34951-0620					
ASSEMBLY DESCRIPTION	ASSEMBLY PART NUMBER	A	B	C	D	C	D	CPA	M	1	2	3	4	5	6	STATUS	COMMENTS	BACKSHELL WITH RIBS	BACKSHELL WITHOUT RIBS

DESCRIPTION	COLOR	MATERIAL
RING SEAL	BURNT ORANGE	INHERENTLY LUBRICATED SILICONE
PLR	NATURAL	SPS/NYLON GF20
GROMMET CAP	BLACK	SPS/NYLON GF20
MAT SEAL	LIGHT BLUE	INHERENTLY LUBRICATED SILICONE
CPA	RED	PBT GF30
HOUSING KEYING OPTION D	STONE GRAY	SPS/NYLON GF20
HOUSING KEYING OPTION C	DARK GRAY	SPS/NYLON GF20
HOUSING KEYING OPTION D	GREEN	SPS/NYLON GF20
HOUSING KEYING OPTION C	BROWN	SPS/NYLON GF20
HOUSING KEYING OPTION B	LIGHT GRAY	SPS/NYLON GF20
HOUSING KEYING OPTION A	BLACK	SPS/NYLON GF20

BOM/APPLICABLE COMPONENTS TABLE

ABBREVIATION	COMPONENT
A	HOUSING KEY A
B	HOUSING KEY B
C	HOUSING KEY C
D	HOUSING KEY D
GC	GROMMET CAP
M	MAT SEAL
R	RING SEAL
P	PLR, STANDARD
CPA	CPA
BKS	BACKSHELL

ENTER DESCRIPTION IEC NO. UAU2013-1966 DRAWN/CUNNINGHAM 2013/06/11 CHKD: APPR:VKOSHY 2013/06/20 REV:	QUALITY SYMBOLS ▽=0 ▽=0 ▽=0	GENERAL TOLERANCES (UNLESS SPECIFIED) mm INCH 4 PLACES ± ± 3 PLACES ± ± 2 PLACES ±0.10 ± ± 1 PLACE ±0.3 ± ± 0 PLACE ± ±	DIMENSION STYLE MM ONLY DRAWN BY DATE DGRIFFI THS 06-05-03 CHECKED BY DATE DGRIFFI THS 06-05-03 APPROVED BY DATE VKOSHY 2010/03/04	SCALE DESIGN UNITS METRIC THIRD ANGLE PROJECTION	TITLE MX150 2X3 RECEPTACLE SEALED ASSEMBLY MAT SEAL molex MATERIAL NO. SEE BOM DOCUMENT NO. SD-33472-061 SHEET NO. 7 OF 8
	DRAFT WHERE APPLICABLE MUST REMAIN WITHIN DIMENSIONS				
	THIS DRAWING CONTAINS INFORMATION THAT IS PROPRIETARY TO MOLEX INCORPORATED AND SHOULD NOT BE USED WITHOUT WRITTEN PERMISSION				
	SIZE D				

KEY A, W/ CPA, BLACK	33472-0681	A					CPA	M	2										SALEABLE		34951-0610	34951-0620	
KEY A, BLACK	33472-0680	A					CPA	M	1	2	3								SALEABLE		34951-0610	34951-0620	
KEY A, W/ CPA, BLACK	33472-0679	A					CPA	M	1	2	3								SALEABLE		34951-0610	34951-0620	
KEY B, LIGHT GRAY	33472-0678	B						M					5	6					SALEABLE		34951-0610	34951-0620	
KEY B, LIGHT GRAY	33472-0677	B						M	1				5						SALEABLE		34951-0610	34951-0620	
KEY B, W/ CPA, LIGHT GRAY	33472-0676	B					CPA	M	1				5						SALEABLE		34951-0610	34951-0620	
KEY A, W/ CPA, BLACK	33472-0675	A					CPA	M											SALEABLE		34951-0610	34951-0620	
KEY A, W/ CPA, BLACK	33472-0674	A					CPA	M											SALEABLE		34951-0610	34951-0620	
KEY A, BLACK	33472-0673	A						M											SALEABLE		34951-0610	34951-0620	
KEY B, LIGHT GRAY	33472-0672	B						M					5						SALEABLE		34951-0610	34951-0620	
KEY D, W CPA, STONE GRAY	33472-0671						D	CPA	M										TOOLED BUT NOT VALIDATED		34951-0610	34951-0620	
KEY C, W/ CPA, DARK GRAY	33472-0670						C	CPA	M										SALEABLE		34951-0610	34951-0620	
KEY D, STONE GRAY	33472-0669						D	M											TOOLED BUT NOT VALIDATED		34951-0610	34951-0620	
KEY C, DARK GRAY	33472-0668						C	M											SALEABLE		34951-0610	34951-0620	
KEY A, BLACK	33472-0667	A						M	1		3		5	6					SALEABLE		34951-0610	34951-0620	
KEY A, BLACK	33472-0666	A						M		2			5	6					SALEABLE		34951-0610	34951-0620	
KEY A, BLACK	33472-0665	A						M	1										SALEABLE		34951-0610	34951-0620	
KEY A, BLACK	33472-0664	A						M					4	5	6				SALEABLE		34951-0610	34951-0620	
KEY A, BLACK	33472-0663	A						M					5	6					SALEABLE		34951-0610	34951-0620	
KEY A, BLACK	33472-0662	A						M	2				5						SALEABLE		34951-0610	34951-0620	
KEY A, BLACK	33472-0661	A						M	2										SALEABLE		34951-0610	34951-0620	
KEY A, W/ CPA, BLACK	33472-0660	A					CPA	M	1	2	3	4	5	6					SALEABLE		34951-0610	34951-0620	
KEY A, BLACK	33472-0659	A						M		3		5	6						SALEABLE		34951-0610	34951-0620	
KEY A, BLACK	33472-0658	A						M		3									SALEABLE		34951-0610	34951-0620	
VOID KEY	33472-0657																						
KEY D, W/ CPA, GREEN	33472-0656						D	CPA	M	1		3	4	6					NOT RECOMMENDED		34951-0610	34951-0620	
KEY C, W/ CPA, BROWN	33472-0655						C	CPA	M	1		3	4	6					NOT RECOMMENDED		34951-0610	34951-0620	
KEY B, W/ CPA, LIGHT GRAY	33472-0654	B						CPA	M	1		3	4	6					SALEABLE		34951-0610	34951-0620	
KEY A, W/ CPA, BLACK	33472-0653	A						CPA	M	1		3	4	6					SALEABLE		34951-0610	34951-0620	
VOID KEY	33472-0652																						
KEY D, GREEN	33472-0651						D	M	1		3	4	6						NOT RECOMMENDED		34951-0610	34951-0620	
KEY C, BROWN	33472-0650						C	M	1		3	4	6						NOT RECOMMENDED		34951-0610	34951-0620	
KEY B, LIGHT GRAY	33472-0649	B						M	1		3	4	6						SALEABLE		34951-0610	34951-0620	
KEY A, BLACK	33472-0648	A						M	1		3	4	6						SALEABLE		34951-0610	34951-0620	
VOID KEY	33472-0647																						
KEY D, W/ CPA, GREEN	33472-0646						D	CPA	M	1		3	4						NOT RECOMMENDED		34951-0610	34951-0620	
KEY C, W/ CPA, BROWN	33472-0645						C	CPA	M	1		3	4						NOT RECOMMENDED		34951-0610	34951-0620	
KEY B, W/ CPA, LIGHT GRAY	33472-0644	B						CPA	M	1		3	4						SALEABLE		34951-0610	34951-0620	
KEY A, W/ CPA, BLACK	33472-0643	A						CPA	M	1		3	4						SALEABLE		34951-0610	34951-0620	
KEY A, BLACK	33472-0642	A						M				4							SALEABLE		34951-0610	34951-0620	
KEY A, BLACK	33472-0641	A						M		2	3	4	5						SALEABLE		34951-0610	34951-0620	
ASSEMBLY DESCRIPTION	ASSEMBLY PART NUMBER	A	B	C	D	C	D	CPA	M	1	2	3	4	5	6					STATUS	COMMENTS	BACKSHELL WITH RIBS	BACKSHELL WITHOUT RIBS

DESCRIPTION	COLOR	MATERIAL
RING SEAL	BURNT ORANGE	INHERENTLY LUBRICATED SILICONE
PLR	NATURAL	SPS/NYLON GF20
GROMMET CAP	BLACK	SPS/NYLON GF20
MAT SEAL	LIGHT BLUE	INHERENTLY LUBRICATED SILICONE
CPA	RED	PBT GF30
HOUSING KEYING OPTION D	STONE GRAY	SPS/NYLON GF20
HOUSING KEYING OPTION C	DARK GRAY	SPS/NYLON GF20
HOUSING KEYING OPTION D	GREEN	SPS/NYLON GF20
HOUSING KEYING OPTION C	BROWN	SPS/NYLON GF20
HOUSING KEYING OPTION B	LIGHT GRAY	SPS/NYLON GF20
HOUSING KEYING OPTION A	BLACK	SPS/NYLON GF20

ABBREVIATION	COMPONENT
A	HOUSING KEY A
B	HOUSING KEY B
C	HOUSING KEY C
D	HOUSING KEY D
GC	GROMMET CAP
M	MAT SEAL
R	RING SEAL
P	PLR, STANDARD
CPA	CPA
BKS	BACKSHELL

ENTER DESCRIPTION EEC NO. UAU2013-1966 DRAWN/CUNNINGHAM 2013/06/11 CHKD: APPR:VKOSHY 2013/06/20 REV DESCRIPTION	QUALITY SYMBOLS ∇=0 ∇=0 ∇=0	GENERAL TOLERANCES (UNLESS SPECIFIED) mm INCH 4 PLACES ± .10 ± .005 3 PLACES ± .15 ± .005 2 PLACES ± 0.10 ± .005 1 PLACE ± 0.3 ± .005 0 PLACE ± ±	DIMENSION STYLE MM ONLY	SCALE DESIGN UNITS METRIC	THIRD ANGLE PROJECTION
	DRAWN BY DATE DGRIF1 ITHS 06-05-03 CHECKED BY DATE DGRIF1 ITHS 06-05-03 APPROVED BY DATE VKOSHY 2010/03/04	MATERIAL NO. SEE BOM	DOCUMENT NO. SD-33472-061	SHEET NO. 8 OF 8	