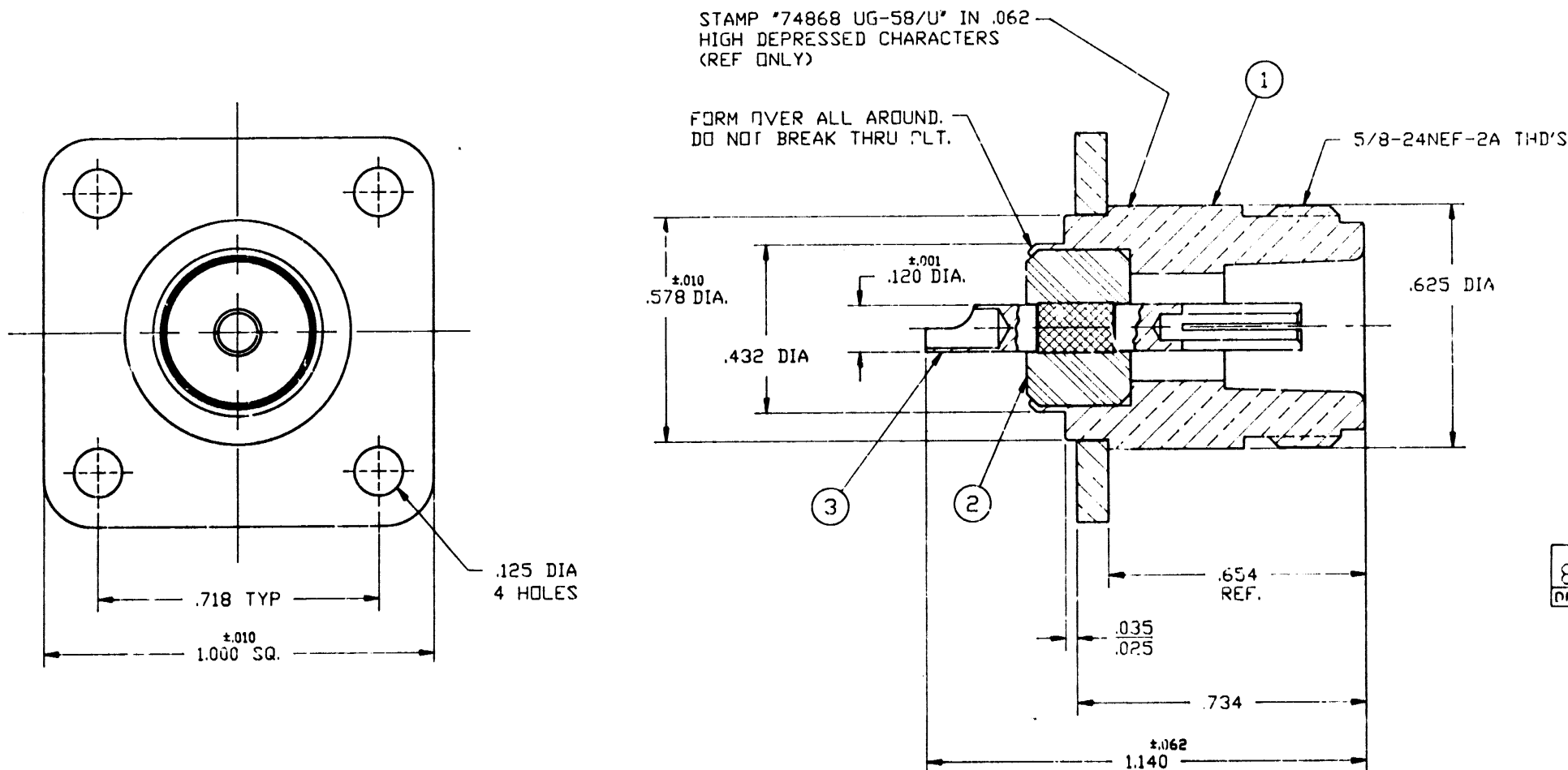


DO NOT SCALE THIS DRAWING

O.S.

REVISIONS				
SYM	DESCRIPTION	DATE	E.C.O. NO.	APPR.
A	OFFICIAL ENG. RELEASE TO MFG.	3/22/50	2556	
AC	MOTOROLA SPEC. WAS REV. E	1/13/92	38720	DL D
AD	ITEM 3 CONTACT WAS 82-10649 ADDED NOTES 2,3 & 4	5/12/92	38945	JM/I
AE	CHG'D. NOTE 1; ADDED PLATE LETTERS; ITEM # 1 FINISH WAS SEE S/A.		39297	DR



82-24
DRAWING NUMBER ISSUE
AE

NOTES:

1. PLATING MUST CONFORM TO AMPHENOL SPEC. 349-50560. CONTACT IS SILVER PLATED, ALL OTHER METAL PARTS ARE ASTROPLATED (REF).
2. PACKAGE THIS CONNECTOR IN BAG 999-226.
3. THIS CONNECTOR IS PACKAGED FULLY ASSEMBLED.
4. CONNECTOR MUST CONFORM TO AMPHENOL SPEC. 349-50551, SECTION 304.

PART NO.	QUAN	UOM	DESCRIPTION	CODE	FINISH
82-11377-F	1	3	CONTACT		NOTE 1
82-768	1	2	INSULATOR		
82-10507-16	1	1	BODY/FLANGE SUB ASSY		NOTE 1

LIST OF MATERIAL

H:\DEPT611\N\082\ASSY\24		UNLESS OTHERWISE SPECIFIED DIMENSIONS ARE IN INCHES. TOLERANCES NOT OTHERWISE SPECIFIED ARE 2 PLACE DECIMAL ±.015 (0.381 mm)		DRAWN BY TERRI ALBERA 9-13-90		TITLE RECEPTACLE TYPE 'N' UG-58/U		Amphenol Corporation RF/Microwave Operations Danbury, Conn. U.S.A.	
REMOVE ALL BURRS, BREAK CORNERS AND SHARP EDGES .005 MAXIMUM UNLESS OTHERWISE SPECIFIED	NEXT ASSY	USED ON	3 PLACE DECIMAL ±.006 (0.127 mm)	ANGLES ± 1°	CHECKED K.S. 5-21-83	SCALE 4:1		SHEET OF	
NOTICE - These drawings specifications or other data (1) are, and remain the property of Amphenol Corp. (2) must be returned upon request, and (3) are confidential and are not to be disclosed to any person other than those to whom they are given by Amphenol Corp. The furnishing of these drawings specifications, or other data by Amphenol Corp., or by any other person to anyone for any purpose is not to be regarded by implication or otherwise as in any manner licensing, granting rights or permitting such holder or any other person to manufacture, use or sell any product, process or design, patented or otherwise that may in any way be related to or disclosed by said drawings, specifications or other data.	MATERIAL	SPECIFICATION	REFERENCE DRAWING NO. HAZELTINE RC-1144 ISS. 'A' RE49F559B REB 49079 Rev 'A' MOTOROLA #09C82741A04, REV. F	ENGINEER H.H. 5-24-83	QUALITY ASSURANCE K. GOELLER 5-24-83	DRAWING NO. 74868		ISSUE AE	
	FINISH			MFG ENG D. FUSARD 5-24-83	DRAWING SIZE C		DRAWING NO. 82-24		