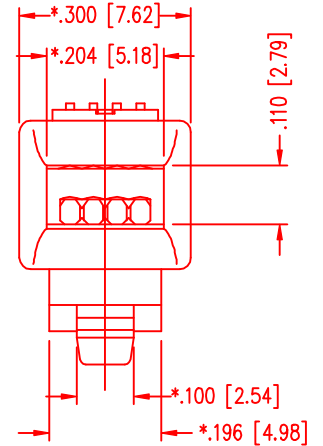
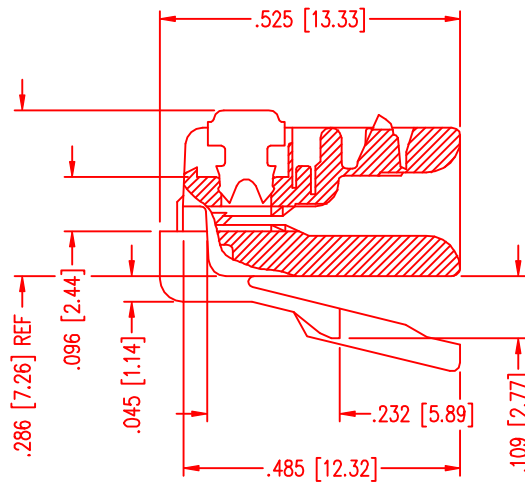
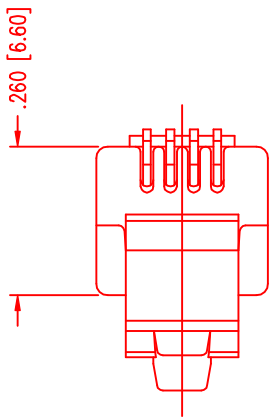
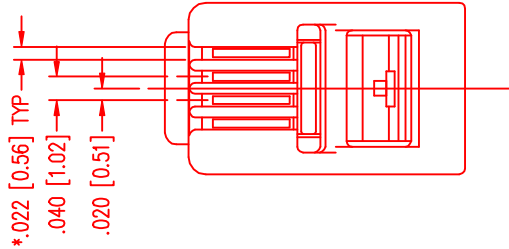


REV.	REVISION CHANGES
A1	CHANGED PLATING THICKNESS

PART NO. 937-30-SP-3044

FOUR CONDUCTOR/FOUR POSITION LINE CORD MODULE;
 CLEAR; FOR FLAT OR OVAL CABLE; FOR CONDUCTORS
 WITH MAXIMUM OUTSIDE DIAMETER OF .038 [.965]

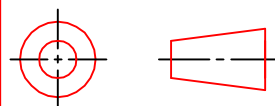


**SPECIFICATIONS OF STEWART CONNECTOR'S
 MODULAR PLUGS**

- CONTACT MATERIAL: _____ 8% PHOSPHOR BRONZE
- CONTACT PLATING: _____ 30 MICRO-INCH (.76 MICRON)
 SELECTIVE 24 CARAT HARD GOLD PLATE IN CONTACT AREA
 OVER 100 MICRO-INCH (2.54 MICRON) MINIMUM NICKEL PLATE
 PER CURRENT SELECTIVE GOLD PLATING REQUIREMENTS.
- PLUG MATERIAL: _____ POLYCARBONATE
- PLUG TOLERANCES AND DIMENSIONS: _____ COMPLIES WITH F.C.C REQUIREMENTS
 ALL OTHER DIM'S ±.005 (±0.127MM)
 DIM'S WITH "*" TO BE CENTRAL ABOUT CENTER LINE
- FLAME AUTO EXTINGUISH LEVEL: _____ 94-V0 (U.L. RECOGNIZED-FILE
 NO. E132408 (N))
- OPERATION TEMPERATURE: _____ -40°C TO +125°C
- INSERTION/EXTRACTION LIFE: _____ 1000 CYCLES (USING STEWART
 CONNECTOR JACKS)
- CONTACT RESISTANCE: _____ 10 MILLOHMS MAX. (USING
 STEWART CONNECTOR JACKS)
- CURRENT/VOLTAGE: _____ 30 VAC/42 VDC AT 1.5 AMPS

**FOR REFERENCE
 ONLY**

THIRD ANGLE PROJECTION



THIS DRAWING AND THE SUBJECT MATTER SHOWN THEREON ARE CONFIDENTIAL AND THE PROPRIETARY PROPERTY OF STEWART CONNECTOR SYSTEMS ("SCS") AND SHALL NOT BE REPRODUCED, COPIED OR USED IN ANY MANNER WITHOUT PRIOR WRITTEN CONSENT OF "SCS". THE SUBJECT MATTER MAY BE PATENTED OR A PATENT MAY BE PENDING. © SCS