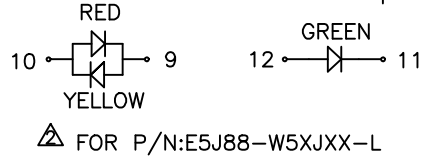
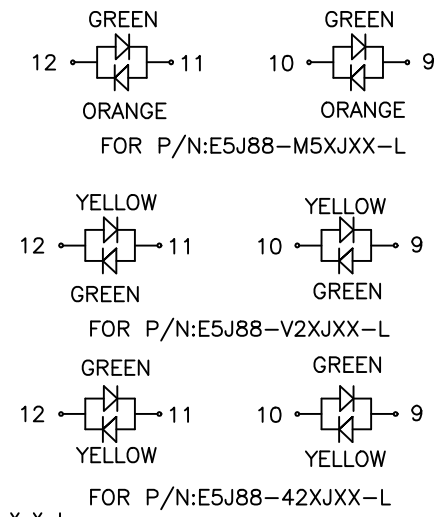
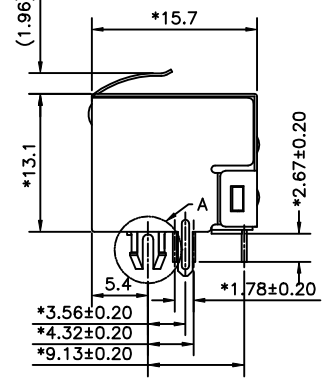
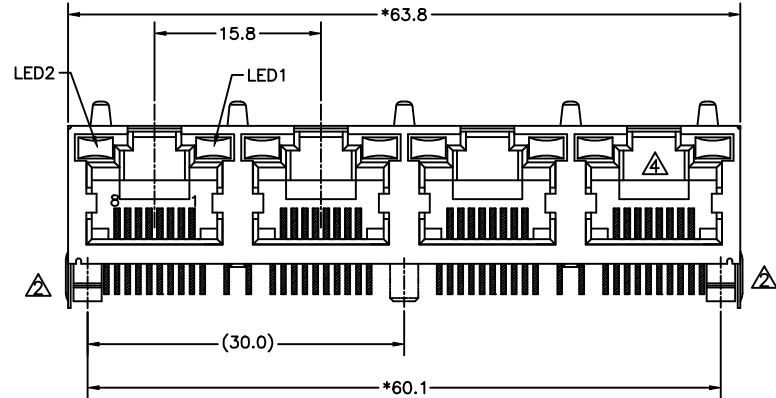
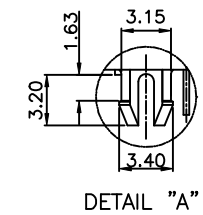
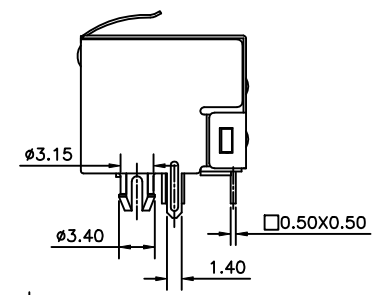
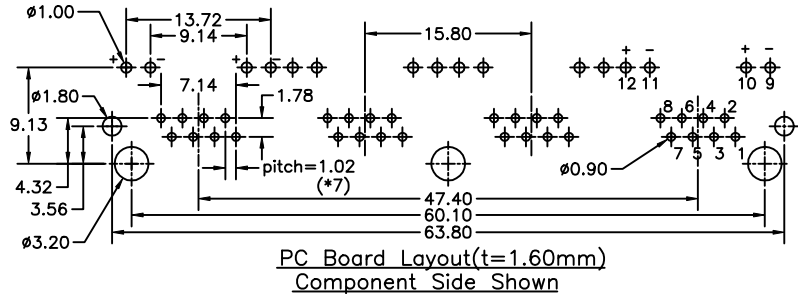


REVISION RECORD				
REV	ECO	DESCRIPTION	DRFT	CHKD
▲		ADD P/N	YANGLAN 07/14/05*	
▲		ADD P/N	YANGLAN 08/04/05*	
▲		Erase Logo	JIE 08/29/05*	
▲		Erase Logo	YANGLAN 10/31/05*	



NOTES:

ELECTRICAL:

- VOLTAGE RATING : 125 VAC RMS.
- CURRENT RATING : 1.5 AMP.
- CONTACT RESISTANCE : 30 MILLIOHMS MAX.
- INSULATION RESISTANCE: 1000 MEGOHMS MIN @ 500 VDC.
- DIELECTRIC STRENGTH : 1000 VAC RMS 60Hz, 1MIN.
- LED RATINGS: FORWARD VOLTAGE: 2.2 VOLTS TYPICAL. REVERSE VOLTAGE: 5 VOLTS MAXIMUM
- OPERATING: 750 CYCLES MIN.

MECHANICAL:

- HOUSING MATERIAL : FR52 UL94V-0. COLOR-BLACK.
- INSERT MATERIAL : FR52 UL94V-0. COLOR-BLACK.
- BACK PLATE MATERIAL : FR52 COLOR-BLACK.
- LED SIZE : 3.2*2.0*7.0*P=2.54mm.
- SHIELD MATERIAL : COPPER ALLOY 0.25mm THICKNESS PLATING NI.
- CONTACT MATERIAL : PHOSPHOR BRONZE 0.35mm THICKNESS OR 0.46mm.
- PLATING : GOLD PLATING OVER NICKEL.
- PCB RETENTION PRE-SOLDER : 1 LB MIN.
- PCB RETENTION POST-SOLDER: 10 LBS MIN.

ENVIRONMENTAL:

- STORAGE : -40°C TO +85°C.
 - OPERATION: -40°C TO +85°C.
 - SOLDERING TEMPERATURE: 255~265°C 5~10SECONDS.
- MATES WITH MODULAR PLUG CONFORMING TO FCC PART 68, SUBPART F. UL FILE No:E163191

M5-LED1&LED2:G+O TOP TABS LEFT&RIGHT NO TABS SHIELD
 V2-LED1&LED2:Y+G TOP TABS LEFT&RIGHT NO TABS SHIELD
 22-LED1& LED2:GREEN TOP TABS SHIELD
 32-LED1:YELLOW LED2:GREEN TOP TABS SHIELD
 42-LED1& LED2:G+Y TOP TABS SHIELD
 W5-LED1 R+Y& LED2: GREEN NO TAB SHIELD

PLATING: 1-3u" 2-6u" 3-15u" 4-30u" 5-50u"
 1-PLATE Tin SHIELD,STAMP PIN,LED LONG 7.00
 2-PLATE Ni SHIELD,STAMP PIN,LED LONG 7.00
 3-PLATE Tin SHIELD,ROUND PIN,LED LONG 7.00
 4-PLATE Ni SHIELD,ROUND PIN,LED LONG 7.00
 S-4 PORTS,W/O MIDDLE POLE&SHIELD W/O BEHIND LEG.
 H-4 PORTS,SHIELD W/O BEHIND LEG.

MM (INCH)		DFTO YANGLAN DATE 07/04/05*
TOLERANCES EXCEPT AS NOTED		CHKDASHIELLY DATE 2005/11/3
		MFO DATE
MM		APPV LUSHENG DATE 2005/11/3
.0 ± 0.20	±	
.00 ± 0.15	±	
.000 ± 0.075	±	
ANGLES ±	QTY :	
THIRD ANGLE PROJECTION	FINISH :	
	SCALE : 2:1	

FULL RISE ELECTRONIC CO., LTD		
TITLE		
RJ45 SIDE ENTRY LED GANG JACK 4 PORTS		
DRAWING NO. GE5J3202-LA	SIZE	REV
/PART NO. SEE NOTE	A3	4
DO NOT SCALE DRAWING		SHEET X OF Y