

.100" IDC CABLE STRIPS

HCMD, HCMS
HCSD, HCSS

Mates with:

TSW, MTSW, TST, EW, BST, LCW, ZST, MTLW, TSM

Features:

- Low Profile
- Skinny side locks
- Dual beam contacts
- Single & double row
- High temp insulator
- Odd lead counts
- Customs our specialty
- Easy assembly

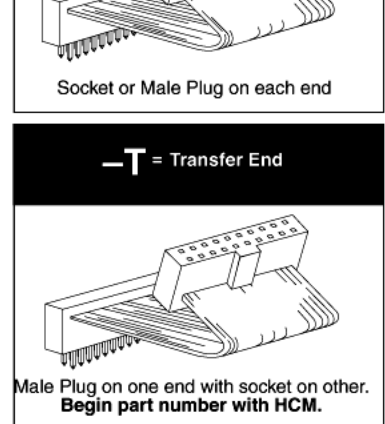
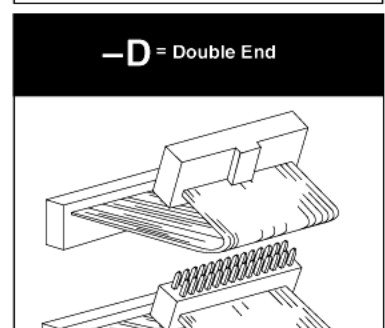
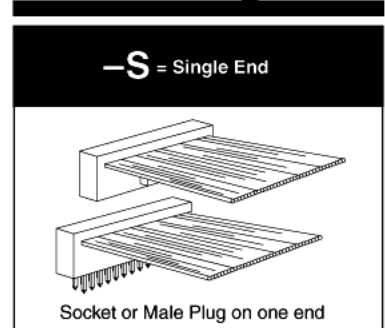
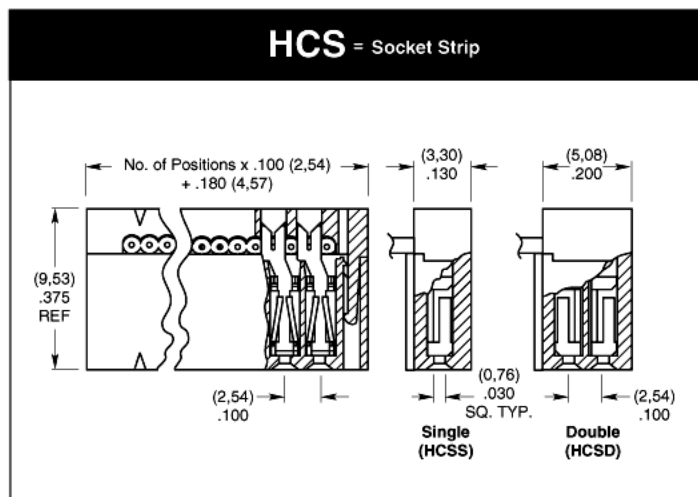
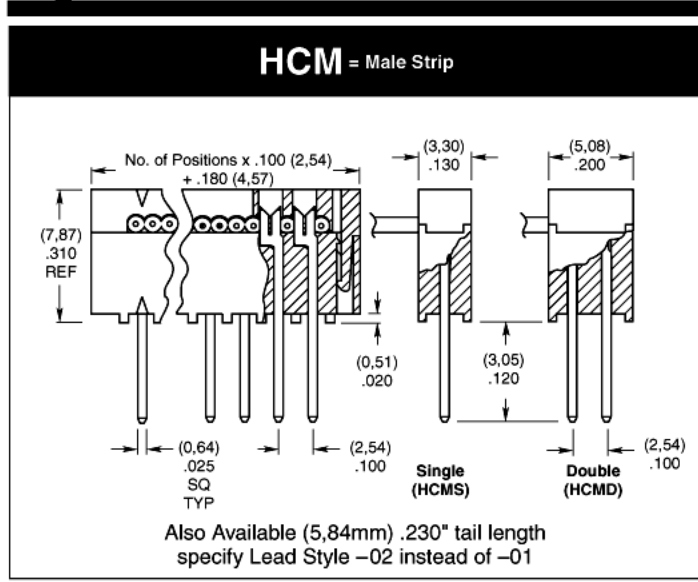
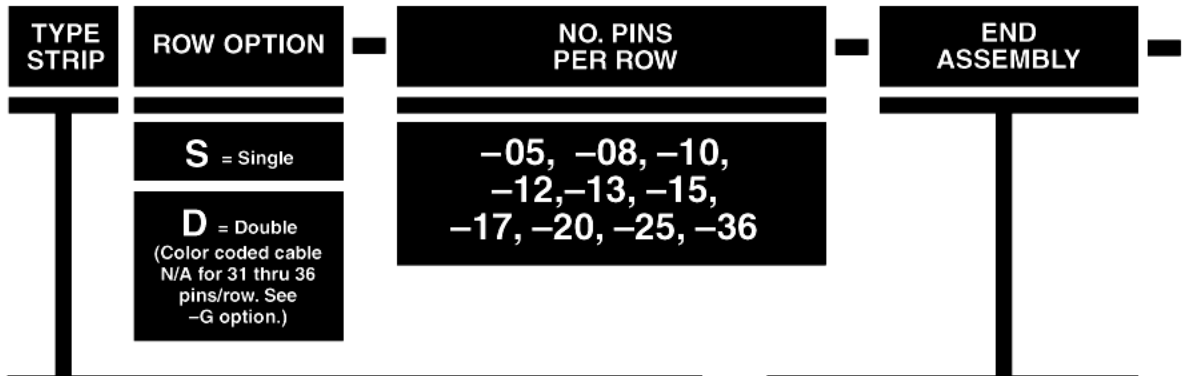
**Specifications:
HCSD, HCSS**

Insulator Material:
Black Liquid Crystal Polymer
Flammability Rating:
UL 94V-O
Insulation Resistance:
5000 M
Temperature Range:
-65°C to +80°C
Withstanding Voltage:
1000 VRMS @ 60 Hz
Contact: Phosphor Bronze
Plating:
10µ" (0,25µm) on contact area, 150µ" (3,81µm) Sn on balance over 50µ" (1,27µm) Ni.
Current Rating: 1A
Contact Resistance:
10 m max
Lead Size Range:
.024" (0,61mm) SQ to .026" (0,66mm) SQ
Lead Insertion Depth:
.185" (4,70mm) to .250" (6,35mm)
Insertion Force:
6 oz avg (1,67N) average with .025" (0,64mm) SQ probe
Withdrawal Force:
3 oz avg (0,83N) average with .025" (0,64mm) SQ probe
Wire: 28 AWG 7/36 stranded Tinned Copper

**Specifications:
HCMD, HCMS**

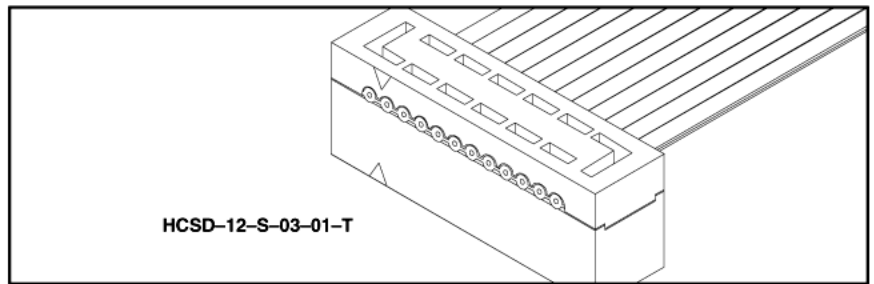
Insulator Material:
Black Liquid Crystal Polymer
Flammability Rating:
UL 94V-O
Insulation Resistance:
5000 M
Temperature Range:
-65°C to +80°C
Withstanding Voltage:
1000 VRMS @ 60 Hz
Terminal: Phosphor Bronze
Plating:
Sn over 50µ" (1,27µm) Ni
Current Rating: 1A
Wire: 28 AWG 7/36 stranded Tinned Copper

Note: IDC assemblies are non-standard, non-returnable.



Due to technical progress, all designs, specifications and components are subject to change without notice.

WWW.SAMTEC.COM



.100" IDC CABLE STRIPS HCMD, HCMS HCSD, HCSS

ASSEMBLED LENGTH	01 PLATING OPTION	NOTCH POLARIZATION	OTHER OPTIONS
<p>-“XX” = Assembled Length</p> <p>Assembled Length in INCHES ($\pm 1/8"$) 2 inches minimum</p>	<p>-S = 10μ" (0,25μm) Gold on contact area or tail, Tin on balance (Standard on HCSS & HCSD. Leave blank)</p> <p>-T = Tin (Standard on HCMS & HCMD. Leave blank)</p>	<p>-N = Notch Polarization</p> <p>Required for HCSS and HCSD. (Not available on HCMS or HCMD, unless Transfer, then only the socket is polarized.)</p>	

-P “XX”
= Position Polarization

Single Double

Specify “XX” as position. For Double the same position will be polarized on both ends. (Not available on HCM, unless Transfer, then only the socket is polarized)

-ST “X”
= Stripped & Tinned

Specify Suffix from table. All dimensions are $\pm 1/16"$ (1,59mm). Not available in 28 positions and higher.

-ST8	3/8" (9,18)
-ST4	1/4" (6,35)
-ST2	1/2" (12,70)
-ST3	3/8" (9,53)

Specify “XX” as number of conducts to be broken out.

-B “XX”
= Breakout

Breakout starts with Number 1 lead indicated by brown wire or red stripe. Shown on top side.

-RW
= Reversed Wiring

#1 wire opposite position #1

-S “XX”
= Daisy Chain Single

Single Row Connectors
Outer Most (End of Assembly)

When mating double row connector with two single row connectors, the outer most single will be connected to Conductor #1 and the inside single to Conductor #2.

-D “XX”
= Daisy Chain, Double

Double Row Strips
Outer Most (End of Assembly)

-W “XX”
= Wiring Reversed Daisy Chain, Single

Same as -S “XX” except outer strip connected to conductor #2 and inside strip connected to conductor #1.

-R
= Reversed

-M
= Middle Reversed

Requires -SXX, -WXX or -DXX

-O
= Outside Reversed

Requires -SXX, -WXX or -DXX

-G
= Gray Cable

Standard cable is color coded. Specify -G for Gray cable with one red edge.

Due to technical progress, all designs, specifications and components are subject to change without notice.