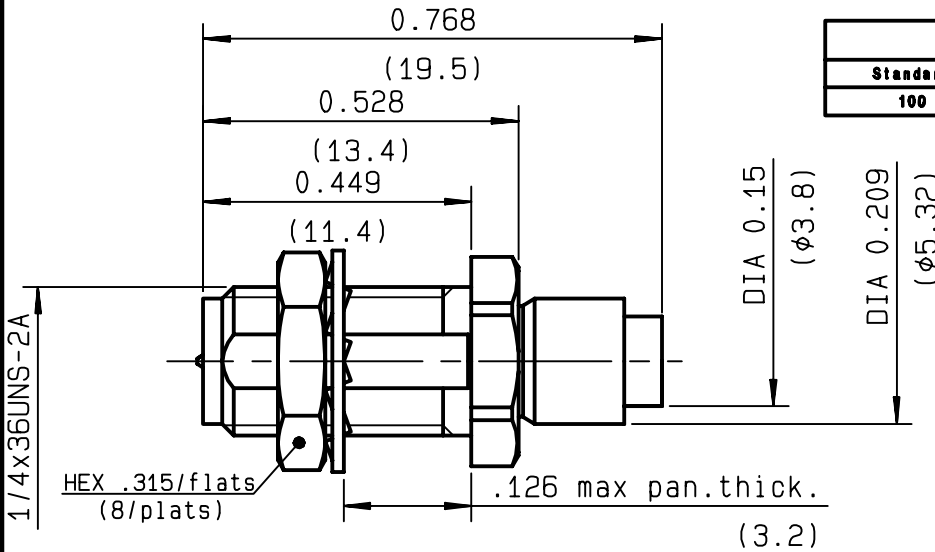
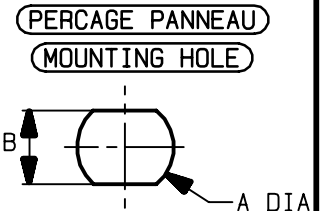


**RP SMA STR.BULK.JACK REVERSE CRIMP TYPE
CABLE 2/50S**

**R300.124.235
SERIES REV POLARITY**



PACKAGING		
Standard	Unit	Other
100	-	Contact us



	MM		INCH	
	maxi	mini	maxi	mini
A	6.5	6.4	0.256	0.252
B	5.8	5.7	0.228	0.224

NOMINAL IMPEDANCE	50 Ω
FREQUENCY RANGE	0-18 GHz
TEMPERATURE RATING	-65/+165 °C
V.S.W.R	NA + x F(GHz)Maxi
RF INSERTION LOSS	NA √F(GHz) dB Maxi
VOLTAGE RATING	335 Veff Maxi
DIELECTRIC WITHSTANDING VOLTAGE	1000 Veff Mini
INSULATION RESISTANCE	5000 MΩMini
HERMETIC SEAL	NA Atm.cm ³ /s
LEAKAGE (pressurized only)	NA
MECHANICAL DURABILITY	500 Cycles
WEIGHT	gr
SPECIFICATION	

CABLES : **KX 21**
RG 178
RG 178 LC
RG 196

OTHERS CHARACTERISTICS

CABLE RETENTION	45 N Mini
CENTER CONTACT RETENTION	
Axial force - mating end	27 N Mini
Axial force - opposite end	27 N Mini
Torque	NA cm.N Mini
RECOMMENDED TORQUES	
Mating	NA cm.N
Panel nut	150 cm.N
Clamp nut	NA cm.N

CONNECTOR PARTS	MATERIALS	FINISH	(all values are given in micrometers)
BODY	BRASS	NICKEL 2	
OUTER CONTACT			
CENTER CONTACT	BRASS	GOLD 1.3 OVER NICKEL 2	
INSULATOR	PTFE	-	
GASKET		-	
OTHERS PIECES			

MASTRIANO

ISSUE 0306A01	CREATION DATE 28/02/2001	FILE PART-NUMBER 96-0400-521
-------------------------	------------------------------------	--



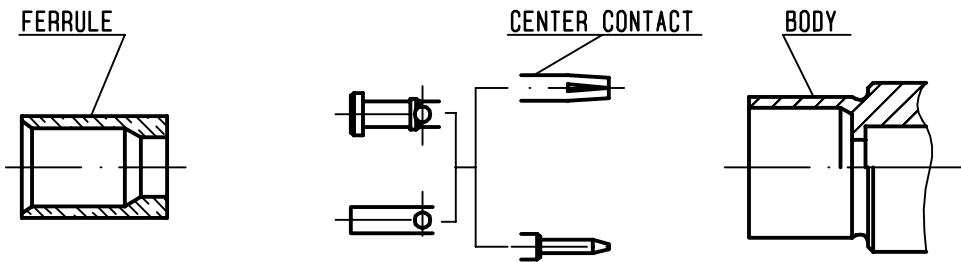
The information given here is subject to change without notice.
Design changes may be in order to improve the product .

Connect to the future



R300.124.235

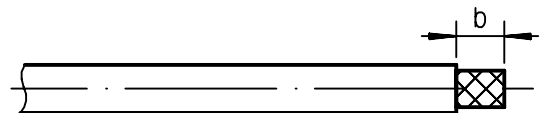
ISSUE **0306A01** SERIES
REV POLARITY



①

Strip the cable .

-
-
-
-

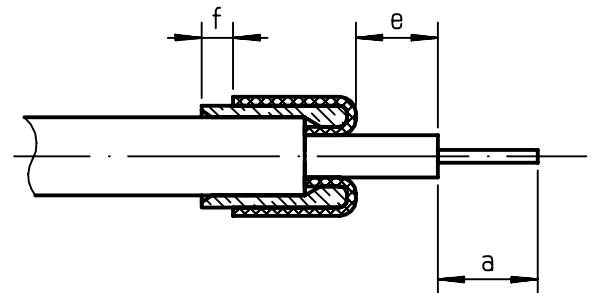


Stripping	a	b	c	d	e
inch	0.118	0.394	0	0.059	0.197
mm	3	10		1.5	5

②

Slide ferrule onto cable until it bottoms against jacket .
Fold braid back and trim off extra braid .
Trim the inner conductor as shown .

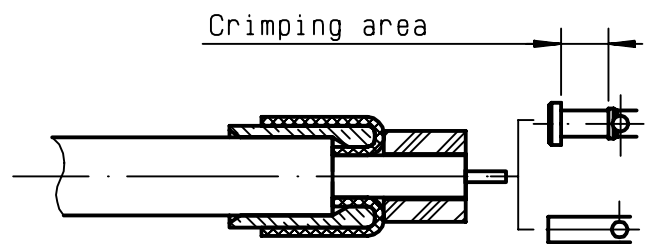
-



③

Slide the spacer .
Slide on the center contact until it bottoms against cable dielectric .
Solder the contact .

-
-
-
-



④

Slide sub-assembly into the connector body with the ferrule .
Crimp the body , crimping tool R 282 211 000 (Hex. : 0.178) or crimping tool R 282 293 000 (M22520/5-01) + dies R 282 235 009 (M22520/5-09)

