

## Multistandard Video-IF and Quasi Parallel Sound Processing

### Description

The TDA4470 is an integrated bipolar circuit for multistandard video/sound IF (VIF/SIF) signal processing in TV/VCR and multimedia applications. The circuit processes all TV video IF signals with negative

modulation (e.g., B/G standard), positive modulation (e.g., L standard) and the AM, FM/NICAM sound IF signals.

### Features

- 5 V supply voltage; low power consumption
- Active carrier generation by FPLL principle (frequency-phase-locked-loop) for true synchronous demodulation
- Very linear video demodulation, good pulse response and excellent intermodulation figures
- VCO circuit operates at picture carrier frequency, the VCO frequency is switchable for L'-mode
- Alignment-free AFC without external reference circuit, polarity of the AFC curve is switchable
- VIF-AGC for negative modulated signals (peak sync. detection) and for positive modulation (peak white/black level detector)
- Tuner AGC with adjustable take over point
- Alignment-free quasi parallel sound (QPS) mixer for FM/NICAM sound IF signals
- Intercarrier output signal is gain controlled (necessary for digital sound processing)
- Complete alignment-free AM demodulator with gain controlled AF output
- Separate SIF-AGC with average detection
- Two independent SIF inputs
- Parallel operation of the AM demodulator and QPS mixer (for NICAM-L stereo sound)
- Package and relevant pinning is compatible with the single standard version TDA4472, which simplifies the design of an universal IF module

**Package:** SDIP28, SO28

### Ordering Information

Extended Type Number	Package	Remarks
TDA4470-DSD	SDIP28	
TDA4470-DFLG3	SO28	Delivery in taped form

## Block Diagram

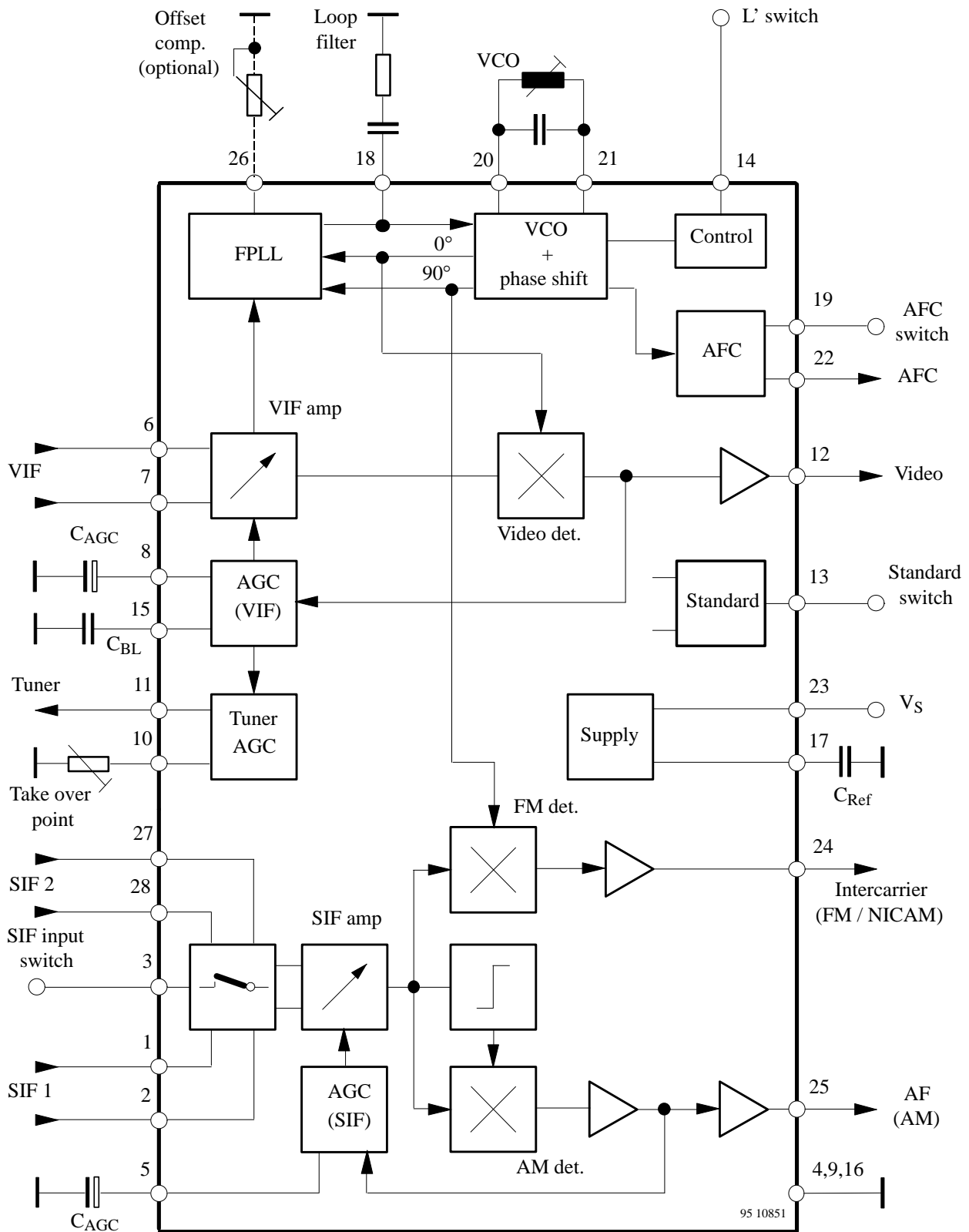


Figure 1. Block diagram

## Circuit Description

### Vision IF Amplifier

The video IF signal (VIF) is fed through a SAW filter to the differential input (Pin 6-7) of the VIF amplifier. This amplifier consists of three AC-coupled amplifier stages. Each differential amplifier is gain controlled by the automatic gain control (VIF-AGC). The output signal of the VIF amplifier is applied to the FPLL carrier generation and the video demodulator.

### Tuner-and VIF-AGC

At Pin 8, the VIF-AGC charges/discharges the AGC capacitor to generate a control voltage for setting the gain of the VIF amplifier and tuner in order to keep the video output signal at a constant level. Therefore, in the case of all negative modulated signals (e.g., B/G standard) the sync. level of the demodulated video signal is the criterion for a fast charge/discharge of the AGC capacitor. For positive modulation (e.g., L standard) the peak white level of video signal controls the charge current. In order to reduce reaction time for positive modulation, where a large time constant is needed, an additional black level detector controls the discharge current in the event of decreasing VIF input signal. The control voltage (AGC voltage at Pin 8) is transferred to an internal control signal, and is fed to the tuner AGC to generate the tuner AGC current at Pin 11 (open collector output). The take over point of the tuner AGC can be adjusted at Pin 10 by a potentiometer or an external dc voltage (from interface circuit or microprocessor).

### FPLL, VCO and AFC

The FPLL circuit (frequency phase locked loop) consists of a frequency and phase detector to generate the control voltage for the VCO tuning. In the locked mode, the VCO is controlled by the phase detector and in unlocked mode, the frequency detector is superimposed. The VCO operates with an external resonance circuit (L and C parallel) and is controlled by internal varicaps. The VCO control voltage is also converted to a current and represents the AFC output signal at Pin 22. At the AFC switch (Pin 19) three operating conditions of the AFC are possible: AFC curve "rising" or "falling" and AFC "off".

A practicable VCO alignment of the external coil is the adjustment to zero AFC output current at Pin 22. At center frequency the AFC output current is equal to zero. Furthermore, at Pin 14, the VCO center frequency can be switched for setting to the required L' value (L' standard).

The optional potentiometer at Pin 26 allows an offset compensation of the VCO phase for improved sound quality (fine adjustment). Without a potentiometer (open circuit at Pin 26), this offset compensation is not active.

The oscillator signal passes a phase shifter and supplies the in-phase signal (0°) and the quadrature signal (90°) of the generated picture carrier.

### Video Demodulation and Amplifier

The video IF signal, which is applied from the gain controlled IF amplifier, is multiplied with the inphase component of the VCO signal. The video demodulator is designed for low distortion and large bandwidth. The demodulator output signal passes an integrated low pass filter for attenuation of the residual vision carrier and is fed to the video amplifier. The video amplifier is realized by an operational amplifier with internal feedback and 8 MHz bandwidth (-3 dB). A standard dependent dc level shift in this stage delivers the same sync. level for positive and negative modulation. An additional noise clipping is provided. The video signal is fed to VIF-AGC and to the video output buffer. This amplifier with a 6 dB gain offers easy adaptation of the sound trap. For nominal video IF modulation the video output signal at Pin 12 is 2 V<sub>pp</sub>.

### Sound IF Amplifier and SIF-AGC

The SIF amplifier is nearly identical with the 3-stage VIF amplifier. Only the first amplifier stage exists twice and is switchable by a control voltage at Pin 3. Therefore with a minimal external expense it is possible to switch between two different SAW filters. Both SIF inputs features excellent cross-talk attenuation and an input impedance which is independent from the switching condition.

The SIF-AGC is related to the average level of AM- or FM-carrier and controls the SIF amplifier to provide a constant SIF signal to the AM demodulator and QPS mixer.

### AM Demodulator

The alignment-free AM demodulator is realized by a synchronous detector. The modulated SIF signal from the SIF amplifier output is multiplied in phase with the limited SIF signal (AM is removed). The AF signal of the demodulator output is fed to the output amplifier and to the SIF-AGC. For all TV standards with negative video modulation (e.g., B/G standard), the AF output signal (Pin 25) is switched off by the standard switch.

### Quasi-Parallel-Sound (QPS) Mixer

The QPS mixer is realized by a multiplier. The SIF signal (FM or NICAM carrier) is converted to the intercarrier frequency by the regenerated picture carrier (quadrature signal) which is provided from the VCO. The intercarrier signal is fed via an output amplifier to Pin 24.

## Standard Switch

To have equal polarity of the video output signal the polarity can be switched in the demodulation stage in accordance with the TV standard. Additionally a standard dependent dc level shift in the video amplifier delivers the same sync. level. In parallel to this, the correct VIF-AGC is selected for positive or negative modulated VIF signals. In the case of negative modulation (e.g., B/G standard) the AM output signal is switched off. For positive modulation (L standard) the AM demodulator and QPS mixer is active. This condition allows a parallel operation of the AM sound signal and the NICAM-L stereo sound.

## L' Switch

With a control voltage at Pin 14 the VCO frequency can be switched for setting to the required L' value (L' standard). Also a fine adjustment of the L'-VCO center frequency is possible via a potentiometer. The L' switch is only active for positive modulated video IF-signals (standard switch in L mode).

## AFC Switch

The AFC output signal at Pin 22 can be controlled by a switching voltage at Pin 19. It is possible to select an AFC output signal with a rising- or falling AFC curve and to switch off the AFC.

## VCR Mode

For the VCR mode in a TV set (external video source selected), it is recommendable to switch off the IF circuit. With an external switching voltage at Pin 6 or 7, the IF amplifiers are switched off and all signal output levels at Pins 12, 24, and 25 are according to the internal dc voltage.

## Internal Voltage Stabilizer

The internal bandgap reference ensures constant performance independent of supply voltage and temperature.

## Pin Description

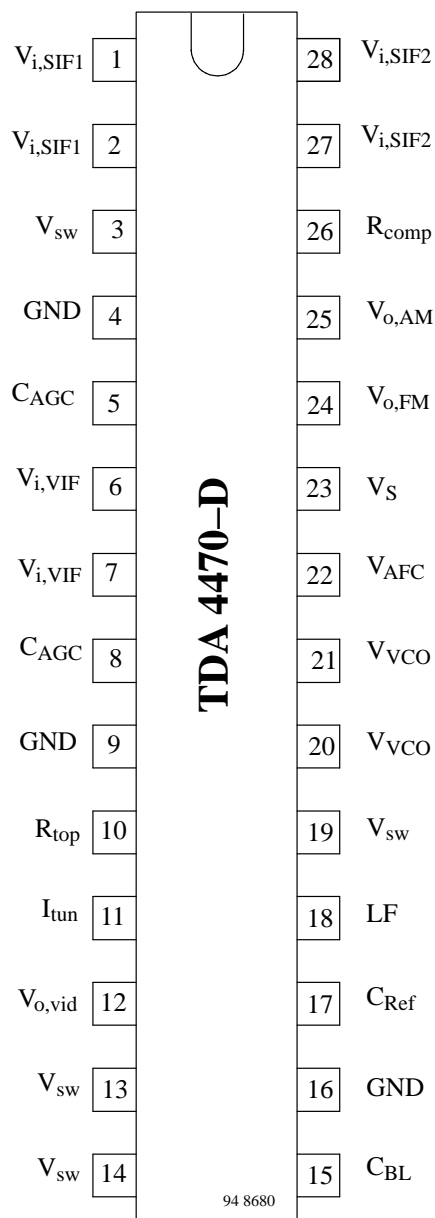


Figure 2. Pinning

Pin	Symbol	Function
1, 2	$V_{i, SIF1}$	SIF1 input (symmetrical)
3	$V_{sw}$	Input selector switch
4, 9, 16	GND	Ground
5	$C_{AGC}$	SIF-AGC (time constant)
6, 7	$V_{i, VIF}$	VIF input (symmetrical)
8	$C_{AGC}$	VIF-AGC (time constant)
10	$R_{top}$	Take over point, tuner AGC
11	$I_{tun}$	Tuner AGC output current
12	$V_{o, vid}$	Video output
13	$V_{SW}$	Standard switch
14	$V_{SW}$	L' switch
15	$C_{bl}$	Black level capacitor
17	$C_{ref}$	Internal reference voltage
18	LF	Loop filter
19	$V_{sw}$	AFC switch
20, 21	$V_{VCO}$	VCO circuit
22	$V_{AFC}$	AFC output
23	$V_S$	Supply voltage
24	$V_{O, FM}$	Intercarrier output
25	$V_{O, AM}$	AF output – AM sound
26	$R_{comp}$	Offset compensation
27, 28	$V_{i, SIF2}$	SIF 2 input (symmetrical)

## Absolute Maximum Ratings

Reference point Pin 4 (9, 16), unless otherwise specified

Parameters	Symbol	Value	Unit
Supply voltage Pin 23 SDIP28 package SO28 package	$V_S$ $V_S$	9.0 6.0	V V
Supply current Pin 23	$I_S$	93	mA
Power dissipation SDIP28 package SO28 package	P P	840 560	mW mW
Output currents Pins 12, 24 and 25	$I_{out}$	5	mA
External voltages Pins 1, 2, 5 to 8, 10, 12, 14, 17, 18 and 24 to 28 Pins 15, 20 and 21 Pin 11 Pins 3, 13, 19 and 22	$V_{ext}$	+4.5 +3.5 +13.5 $V_S$	V V V V
Junction temperature	$T_j$	+125	°C
Storage temperature	$T_{stg}$	-25 to +125	°C
Electrostatic handling *) all pins	$V_{ESD}$	± 300	V

\*) Equivalent to discharging a 200 pF capacitor through a 0 Ω resistor.

## Operating Range

Parameters	Symbol	Value	Unit
Supply voltage range Pin 23 SDIP28 package SO28 package	$V_S$ $V_S$	4.5 to 9.0 4.5 to 6.0	V V
Ambient temperature	$T_{amb}$	-10 to +85	°C

## Thermal Resistance

Parameters	Symbol	Maximum	Unit
Junction ambient, when soldered to PCB SDIP28 package SO28 package	$R_{thJA}$ $R_{thJA}$	55 75	K/W K/W

## Electrical Characteristics

$V_S = +5\text{ V}$ ,  $T_{\text{amb}} = +25^\circ\text{C}$ ; reference point Pin 4 (9, 16), unless otherwise specified

Parameters	Test Conditions / Pins	Symbol	Min.	Typ.	Max.	Unit
<b>DC-supply</b> Pin 23						
Supply voltage – SDIP28 – SO28		$V_S$	4.5	5.0	9.0	V
		$V_S$	4.5	5.0	5.5	V
Supply current		$I_S$		85	93	mA
<b>VIF-input</b> Pin 6-7						
Input sensitivity, (RMS value)	For FPLL locked	$v_{\text{in}}$		80	120	$\mu\text{V}_{\text{RMS}}$
Input impedance	See note 1	$R_{\text{in}}$		1.2		$\text{k}\Omega$
Input capacitance	See note 1	$C_{\text{in}}$		2		pF
<b>VIF-AGC</b> Pins 8 and 15						
IF gain control range		$G_V$	60	65		dB
AGC capacitor	Pin 8	$C_{\text{AGC}}$		2.2		$\mu\text{F}$
Black level capacitor	Pin 15	$C_{\text{BL}}$		100		nF
Switching voltage: VCR mode	See note 2	$V_{\text{sw}}$		4.0		V
Switching current: VCR mode	See note 2	$I_{\text{sw}}$		50		$\mu\text{A}$
<b>Tuner-AGC</b> Pins 10 and 11 see note 3						
Available tuner-AGC current		$I_{\text{tun}}$	1	2	4	mA
Allowable output voltage		$V_{11}$	0.3		13.5	V
IF slip – tuner AGC	Current $I_{\text{tun}}$ : 10 to 90%	$\Delta G_{\text{IF}}$		8	10	dB
IF input signal for minimum take over point	$R_{\text{top}} = 10\text{ k}\Omega$ ( $V_{\text{top}} = 4.5\text{ V}$ )	$v_{\text{in}}$			4	mV
IF input signal for maximum take over point	$R_{\text{top}} = 0$ , ( $V_{\text{top}} = 0.8\text{ V}$ )	$v_{\text{in}}$	40			mV
Variation of the take over point by temperature	$\Delta T_{\text{amb}} = 55^\circ\text{C}$ VIF-AGC: $G_V = 46\text{ dB}$	$\Delta v_{\text{in}}$		2	3	dB
<b>FPLL and VCO</b> Pins 18, 20, 21 and 26 see note 4						
Max. oscillator frequency	For carrier generation	$f_{\text{vco}}$	70			MHz
Vision carrier capture range	$f_{\text{vco}} = 38.9\text{ MHz}$ , $C_{\text{vco}} = 8.2\text{ pF}$	$\Delta f_{\text{cap}}$	$\pm 1.5$	$\pm 2$		MHz
Oscillator drift (free running) as function of temperature	See note 5, $\Delta T_{\text{amb}} = 55^\circ\text{C}$ , $C_{\text{vco}} = 8.2\text{ pF}$ , $f_{\text{vco}} = 38.9\text{ MHz}$	$\Delta f/\Delta T$			-0.3	%
<b>Video output</b> Pin 12						
Output current – source – sink		$\pm I_{12}$			5 3	mA mA
			2			
Output resistance	See note 1	$R_{\text{out}}$			100	$\Omega$
Video output signal	Peak-to-peak value	$v_{\text{o,vid}}$	1.8	2.0	2.2	$\text{V}_{\text{pp}}$
Difference of the video signals	Between B/G and L	$\Delta v_{\text{o,vid}}$			10	%
Sync. level		$V_{\text{sync}}$		1.2		V
Zero carrier level for neg. modulation, ultra white level	$V_{13} = V_S$ $V_8 = 3\text{ V}$	$V_{\text{DC}}$		3.4		V
Zero carrier level for pos. modulation, ultra black level	$V_{13} = 0$ $V_8 = 3\text{ V}$	$V_{\text{DC}}$		1.15		V
Supply voltage influence on the ultra white and ultra black level		$\Delta V/V$		1		%/V
Video bandwidth (-3 dB)	$R_L \geq 1\text{ k}\Omega$ , $C_L \leq 50\text{ pF}$	B	6	8		MHz

Parameters	Test Conditions / Pins	Symbol	Min.	Typ.	Max.	Unit
Video frequency response over the AGC range		$\Delta B$			2.0	dB
Differential gain error		DG		2	5	%
Differential phase error		DP		2	5	deg
Intermodulation 1.07 MHz	See note 6	$\alpha_{IM}$	52	60		dB
Video signal to noise ratio	Weighted, CCIR-567	$S/N$	56	60		dB
Residual vision carrier fundamental wave 38.9 MHz and second harmonic 77.8 MHz		$V_{res1}$		2	10	mV
Lower limiting level	Below sync level	$\Delta V_{lim1}$		400		mV
Upper limiting level	Above ultra white level	$\Delta V_{lim2}$		600		mV
Ripple rejection	See note 1, Pin 23/Pin 12	RR	35			dB
<b>Standard switch</b> Pin 13						
Control voltage for mode 1: neg. modulated video-IF signals and AM/NICAM sound	See note 7	$V_{SW}$	2.0		$V_S$	V
Control voltage for mode 2: pos. modulated video-IF signals and AM/L-NICAM sound		$V_{SW}$	0		0.8	V
Switching current		$I_{SW}$		$\pm 100$		$\mu A$
<b>AFC output</b> Pin 22						
Control slope		$\Delta I/\Delta f$		0.7		$\mu A/kHz$
Frequency drift by temperature	Related to the picture carrier frequency			0.25	0.6	%
Output voltage upper limit lower limit		$V_{AFC}$	$V_S - 0.4$		0.4	V V
Output current		$I_{AFC}$		$\pm 0.2$		mA
<b>AFC switch</b> Pin 19						
Control voltage: AFC "off"		$V_{SW}$	0		0.8	V
AFC curve rising			1.5		2.5	V
AFC curve falling	See note 8		3.5		$V_S$	V
Switching current		$I_{SW}$		$\pm 100$		$\mu A$
<b>L' switch</b> Pin 14						
Control voltage: L' frequency + L'-VCO alignment		$V_{SW}$	0		3.0	V
L standard	See note 9		3.4		$V_S$	V
Switching current	$V_{SW} = 0$	$I_{SW}$		700		$\mu A$
<b>SIF inputs</b> Pin 1-2, 27-28						
Input sensitivity (RMS value)	Output signal at Pin 24/25: -3 dB	$V_{in}$		80	120	$\mu V_{RMS}$
Input impedance	See note 1	$R_{in}$		1.2		k $\Omega$
Input capacitance	See note 1	$C_{in}$		2		pF
<b>SIF-AGC</b> Pin 5						
IF gain control range		$G_V$	60	65		dB
AGC capacitor		$C_{AGC}$		10		$\mu F$
<b>Intercarrier output-FM</b> Pin 24 see note 10						
DC output voltage		$V_{DC}$		2		V



Parameters	Test Conditions / Pins	Symbol	Min.	Typ.	Max.	Unit
Output resistance	See note 1	$R_{out}$		150		$\Omega$
Sound IF output voltage (5.5 MHz output voltage)	$v_{in} = 10 \text{ mV}$	$v_{out}$	180	250	350	mV <sub>RMS</sub>
Weighted signal to noise ratio: (CCIR 468)	Ref. signal: $v_{in} = 10 \text{ mV}$ ; FM dev. = $\pm 27 \text{ kHz}$ $f_{mod} = 1 \text{ kHz}$ ; tested with the double FM demod. U2860B; B/G modulated VIF signal Black screen: Channel 1/2 Grid pattern: Channel 1/2 Grey screen 50%: Channel 1/2	S/N S/N S/N		60/58 54/52 60/57		dB dB dB
Ripple rejection	See note 1, Pin 23/Pin 24	RR	35			dB
<b>AF output-AM</b>	Pin 25			see note 11		
DC output voltage		$V_{DC}$		2.2		V
Output resistance	See note 1	$R_{out}$		150		$\Omega$
AF output voltage		$v_{oAF}$	400	500	630	mV <sub>RMS</sub>
Total harmonic distortion	$m = 54\%$ $f_{mod} = 1 \text{ kHz}$ and $12.5 \text{ kHz}$	THD		1	2	%
Signal to noise ratio	Reference: $m = 54\%$ , $f_{mod} = 1 \text{ kHz}$ , 22 kHz low pass filter	S/N		65		dB
Ripple rejection	See note 1, Pin 23/Pin 25	RR	28			dB
<b>SIF input selector switch</b>	Pin 3					
Control voltage: input 1 active input 2 active	See note 12	$V_{SW}$	2.0 0		$V_S$ 0.8	V V
Switching current		$I_{SW}$		$\pm 100$		$\mu\text{A}$

## Notes

- 1.) This parameter is given as an application information and not tested during production.
- 2.) In VCR mode the VIF- and SIF path is switched off.
- 3.) Adjustment of turn over point (delayed tuner AGC) with external resistor  $R_{top}$  or external voltage  $V_{top}$  possible.
- 4.) Resonance circuit of VCO ( $f_o = 38.9 \text{ MHz}$ ):  $C_{VCO} = 8.2 - 10 \text{ pF}$ ,  
Coil  $L_{VCO}$  with unloaded Q-factor  $Q_o \geq 60$  for an oscillator voltage  $\geq 100 \text{ mV}_{RMS}$  at Pin 20 – 21  
(e.g. TOKO coil 7 KM, 292 XNS - 4051Z)
- 5.) The oscillator drift is related to the picture carrier frequency, at external temperature-compensated LC circuit.
- 6.)  $\alpha (1.07) = 20 \log (4.43 \text{ MHz component}/1.07 \text{ MHz component})$ ;  $\alpha (1.07)$  value related to black-white signal  
input signal conditions: picture carrier = 0 dB, colour carrier = -6 dB, sound carrier = -24 dB
- 7.) Without external control at Pin 13 the IC automatically operates in mode 1:  
 $\Rightarrow$  negative modulated video-IF signals and FM/NICAM sound signals.
- 8.) Without control voltage at Pin 19 falling AFC curve is automatically selected.
- 9.) With open circuit at Pin 14 the L' switch is not active.
- 10.) Picture carrier  $PC = 38.9 \text{ MHz}$ ; sound carrier  $SC_1 = 33.4 \text{ MHz}$ ,  $SC_2 = 33.16 \text{ MHz}$ ;  
 $PC/SC_1 = 13 \text{ dB}$ ;  $PC/SC_2 = 20 \text{ dB}$ ; PC unmodulated (equivalent to sync. peak level).
- 11.) Sound carrier  $SC = 32.4 \text{ MHz}$ , modulated with  $f_{mod} = 1 \text{ kHz}$ ,  $m = 54\%$ ;  $v_{in} = 10 \text{ mV}$
- 12.) Without control voltage at Pin 3 the SIF input 1 is automatically selected.

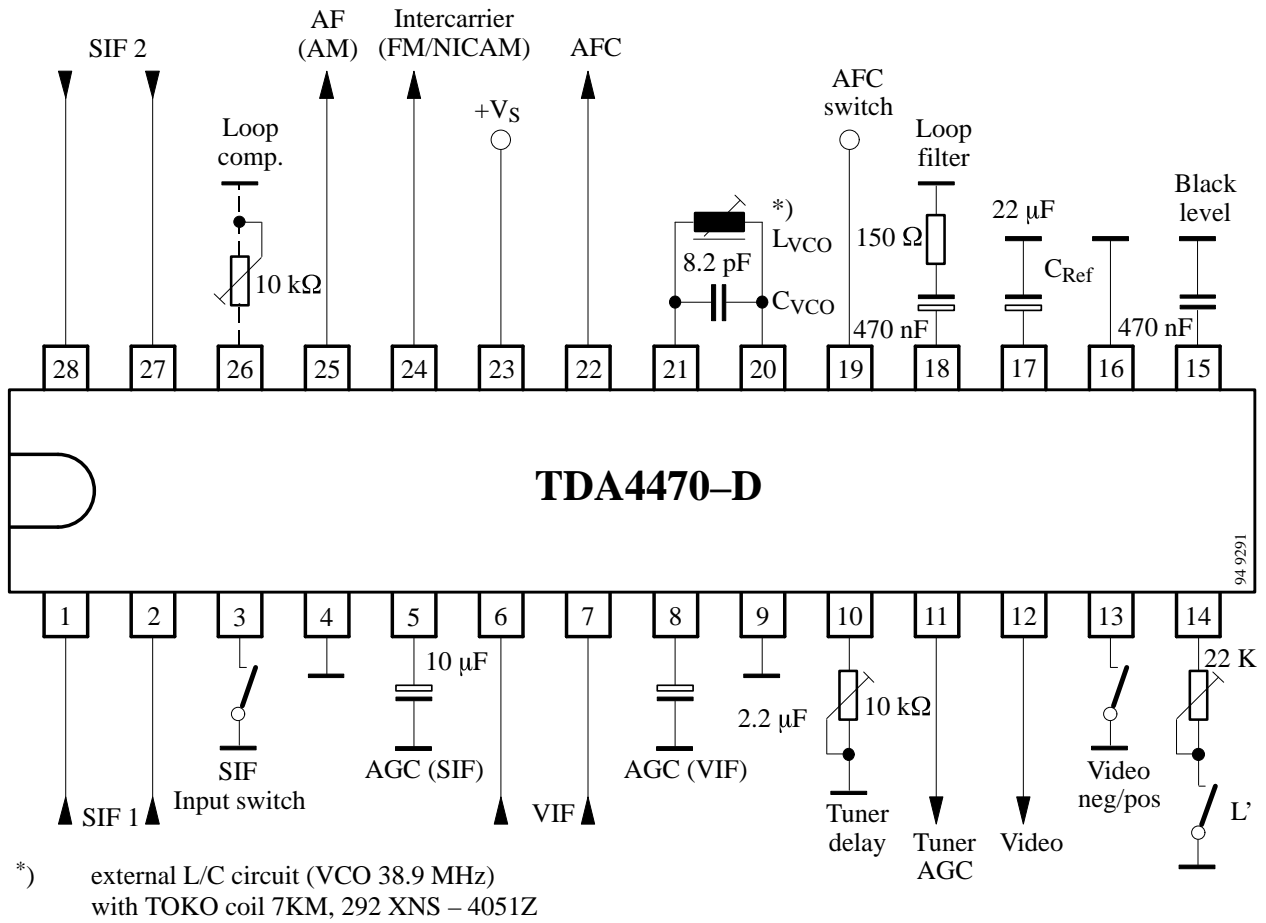


Figure 3. Test circuit

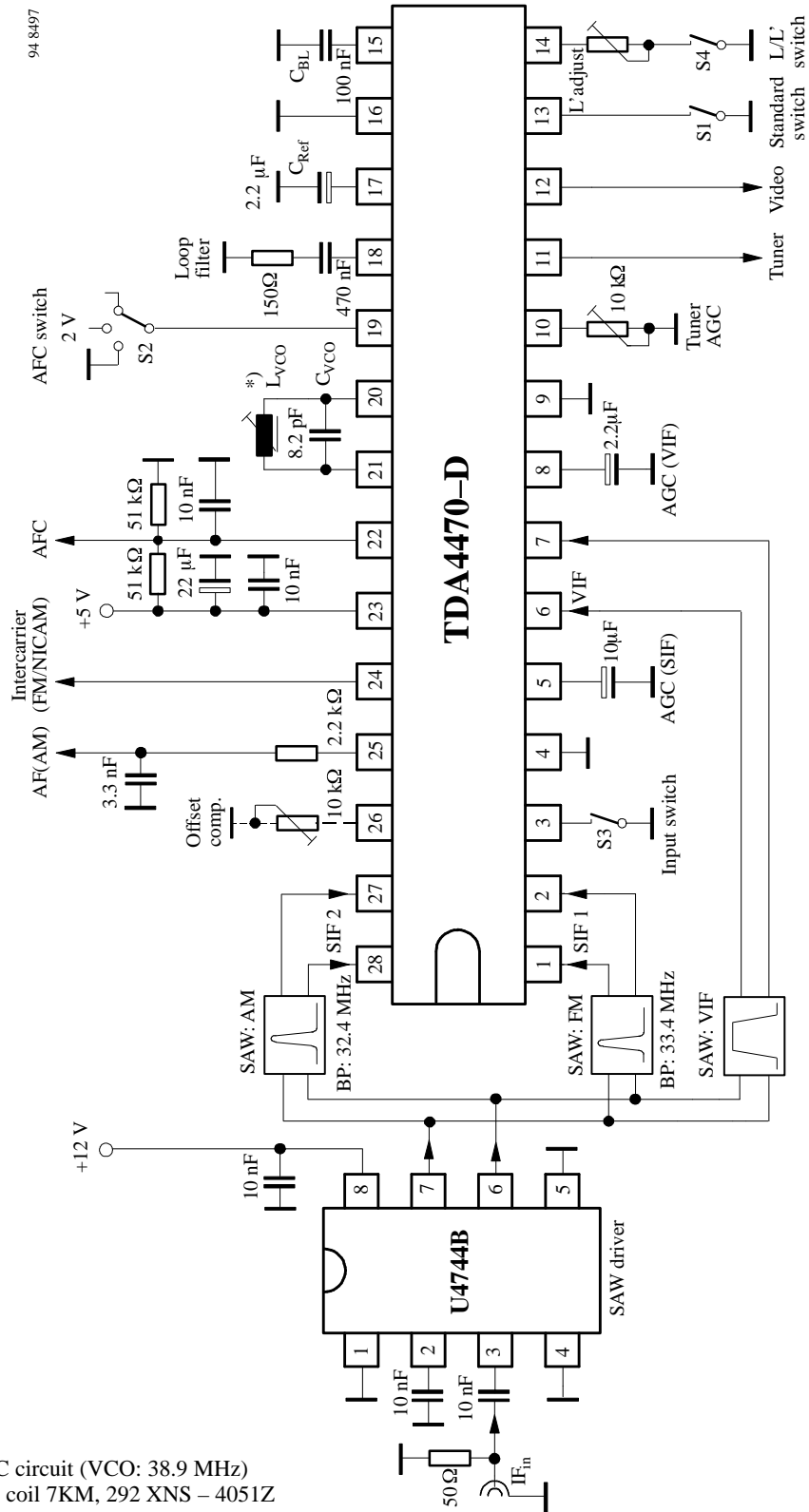


Figure 4. Basic application circuit

## Internal Pin Configuration

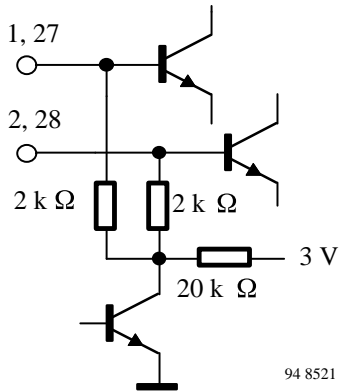


Figure 5. Sound IF inputs (Pin 1-2, 27-28)

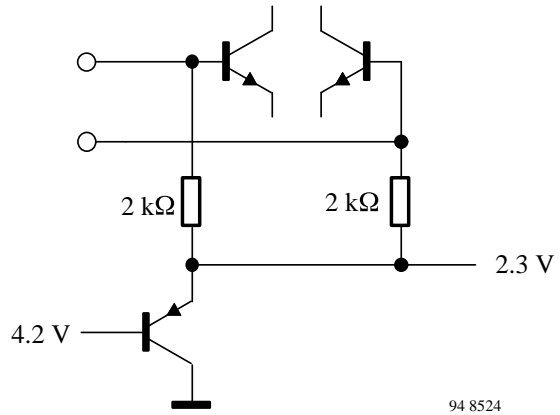


Figure 8. Video IF input (Pin 6-7)

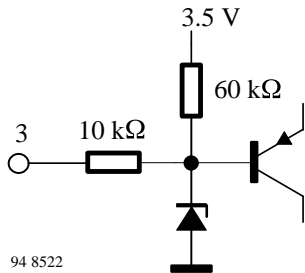


Figure 6. Input selector switch (Pin 3)

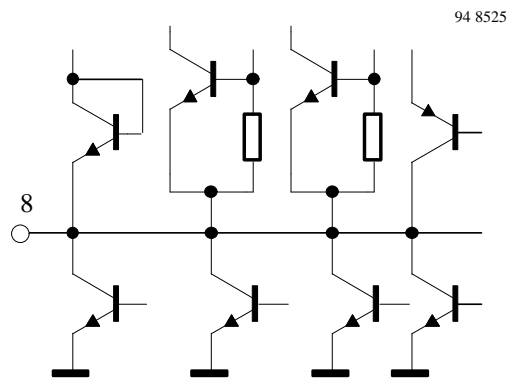


Figure 9. VIF-AGC time constant (Pin 8)

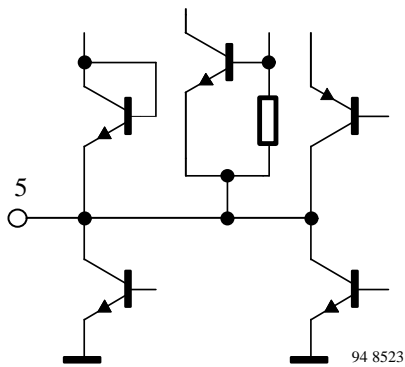


Figure 7. SIF-AGC time constant (Pin 5)

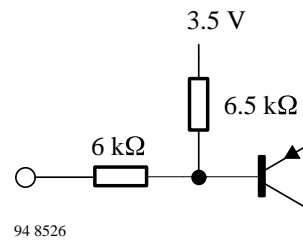


Figure 10. Tuner AGC – take over point (Pin 10)

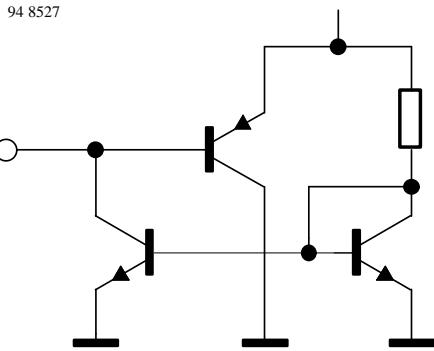


Figure 11. Tuner AGC – output (Pin 11)

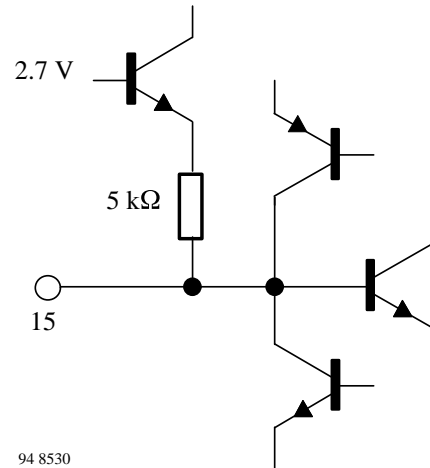


Figure 14. Black level capacitor (Pin 15)

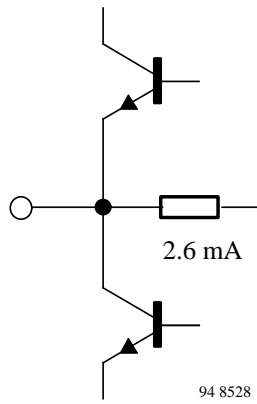


Figure 12. Video output (Pin 12)

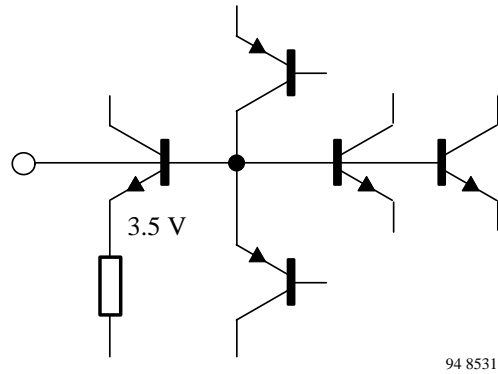


Figure 15. Internal reference voltage (Pin 17)

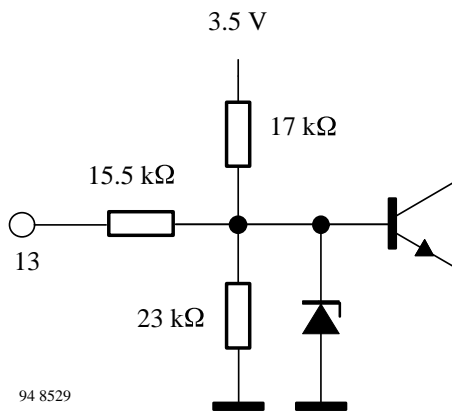


Figure 13. Standard switch (Pin 13)

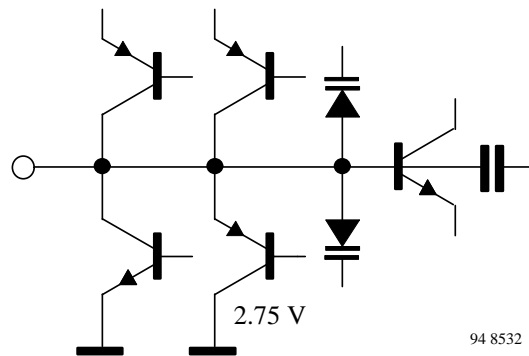


Figure 16. Loop filter (Pin 18)

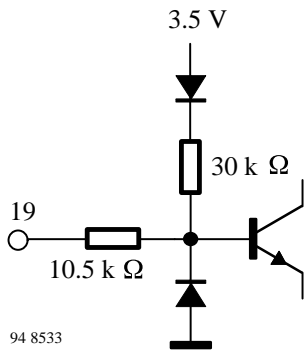


Figure 17. AFC switch (Pin 19)

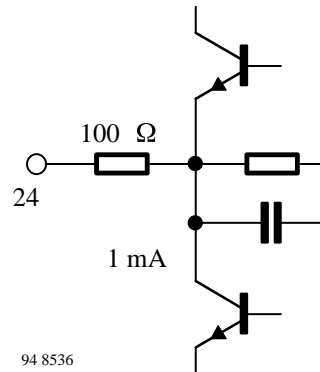


Figure 20. Intercarrier output (Pin 24)

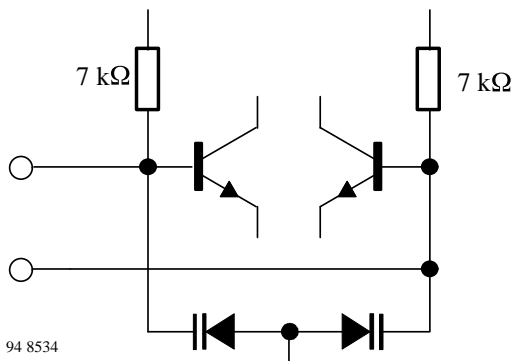


Figure 18. VCO (Pin 20-21)

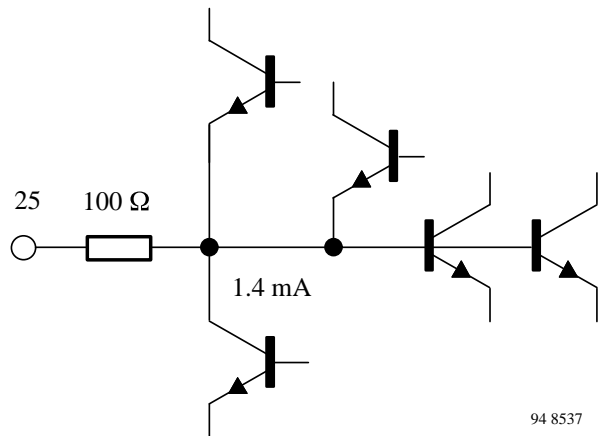


Figure 21. AF output AM sound (Pin 25)

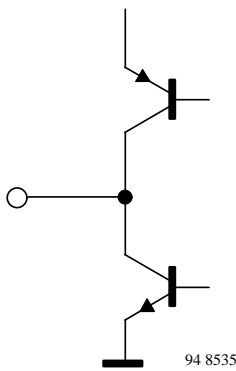


Figure 19. AFC output (Pin 22)

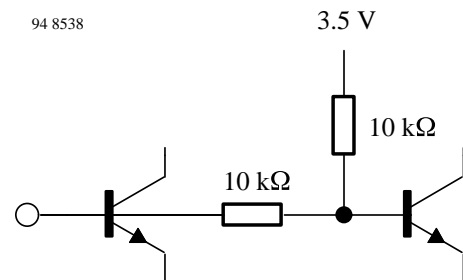
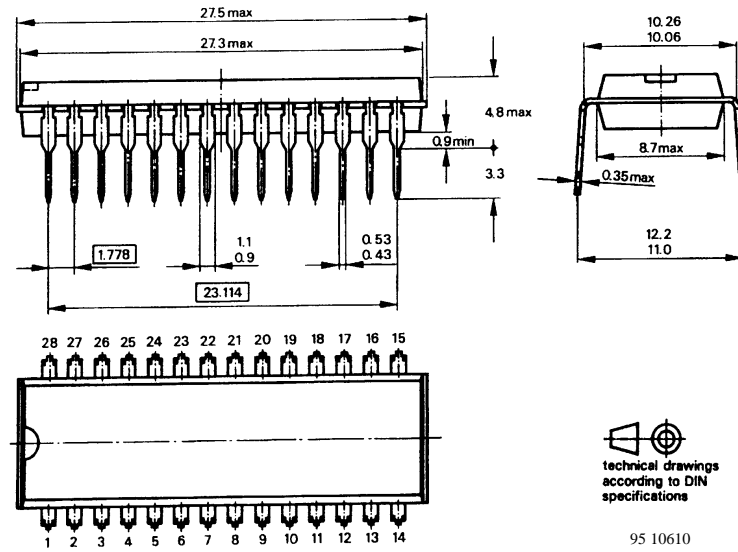


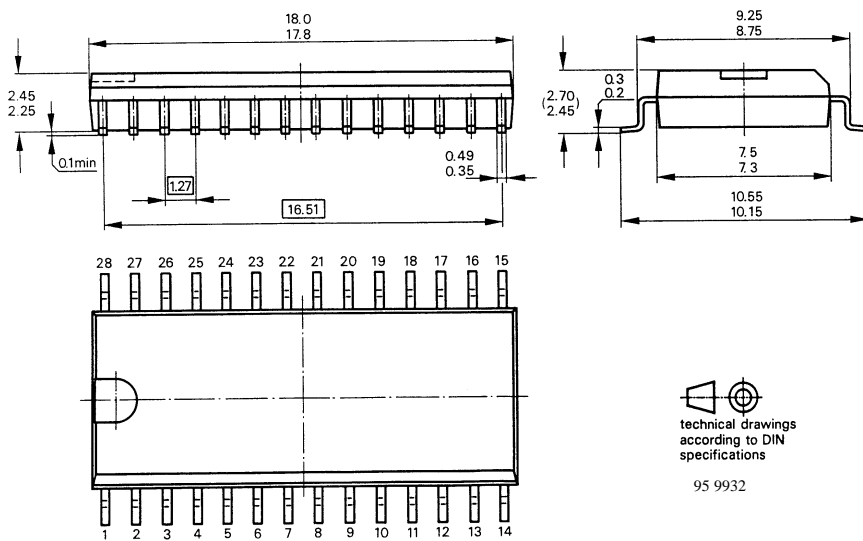
Figure 22. VCO offset compensation (Pin 26)

**Dimensions in mm**

Package: SDIP28



Package: SO28



## Ozone Depleting Substances Policy Statement

It is the policy of **TEMIC TELEFUNKEN microelectronic GmbH** to

1. Meet all present and future national and international statutory requirements.
2. Regularly and continuously improve the performance of our products, processes, distribution and operating systems with respect to their impact on the health and safety of our employees and the public, as well as their impact on the environment.

It is particular concern to control or eliminate releases of those substances into the atmosphere which are known as ozone depleting substances (ODSs).

The Montreal Protocol (1987) and its London Amendments (1990) intend to severely restrict the use of ODSs and forbid their use within the next ten years. Various national and international initiatives are pressing for an earlier ban on these substances.

**TEMIC TELEFUNKEN microelectronic GmbH** semiconductor division has been able to use its policy of continuous improvements to eliminate the use of ODSs listed in the following documents.

1. Annex A, B and list of transitional substances of the Montreal Protocol and the London Amendments respectively
2. Class I and II ozone depleting substances in the Clean Air Act Amendments of 1990 by the Environmental Protection Agency (EPA) in the USA
3. Council Decision 88/540/EEC and 91/690/EEC Annex A, B and C (transitional substances) respectively.

**TEMIC** can certify that our semiconductors are not manufactured with ozone depleting substances and do not contain such substances.

**We reserve the right to make changes to improve technical design and may do so without further notice.**

Parameters can vary in different applications. All operating parameters must be validated for each customer application by the customer. Should the buyer use TEMIC products for any unintended or unauthorized application, the buyer shall indemnify TEMIC against all claims, costs, damages, and expenses, arising out of, directly or indirectly, any claim of personal damage, injury or death associated with such unintended or unauthorized use.

TEMIC TELEFUNKEN microelectronic GmbH, P.O.B. 3535, D-74025 Heilbronn, Germany  
Telephone: 49 (0)7131 67 2831, Fax number: 49 (0)7131 67 2423