

RED INDICATES ORIGINAL

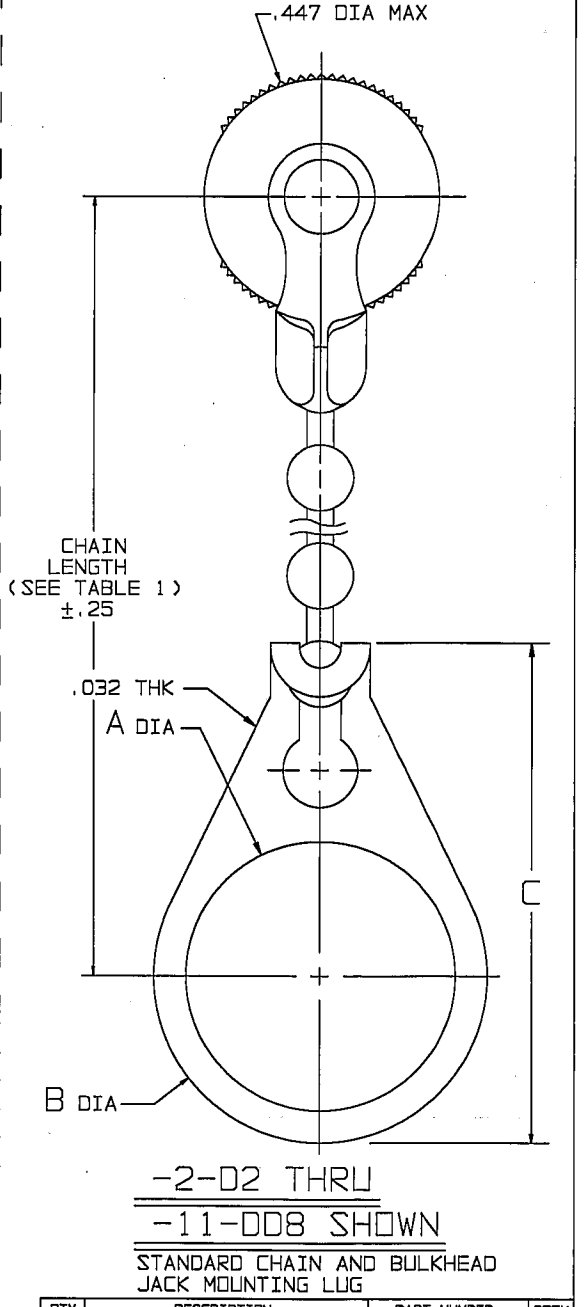
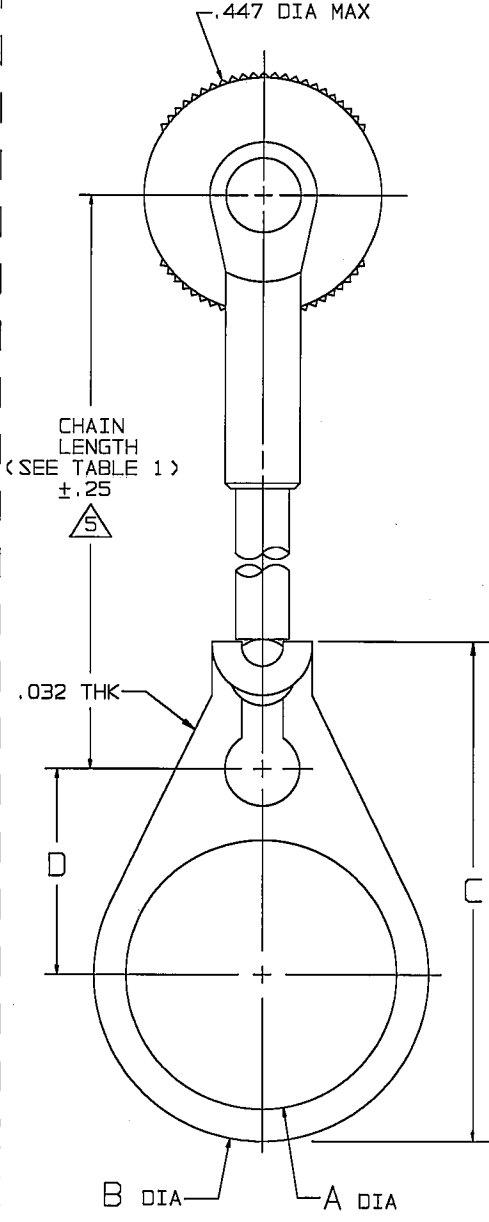
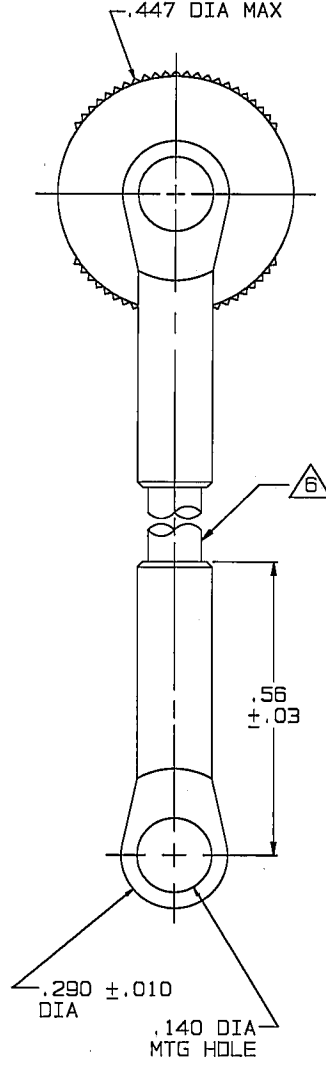
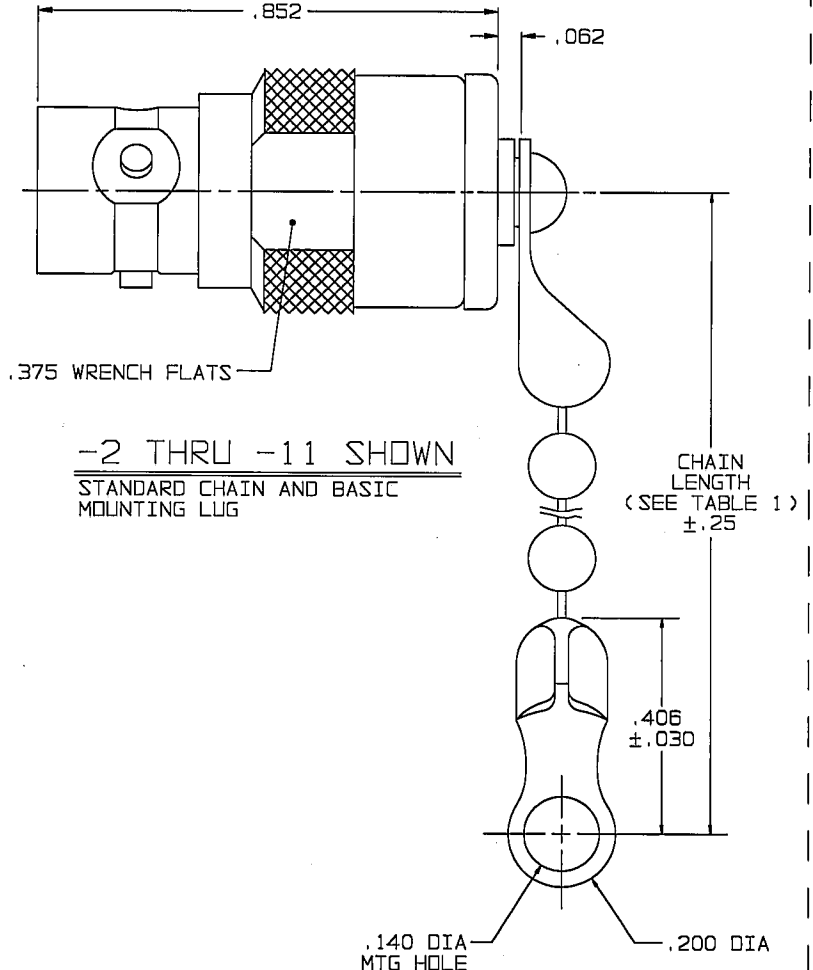
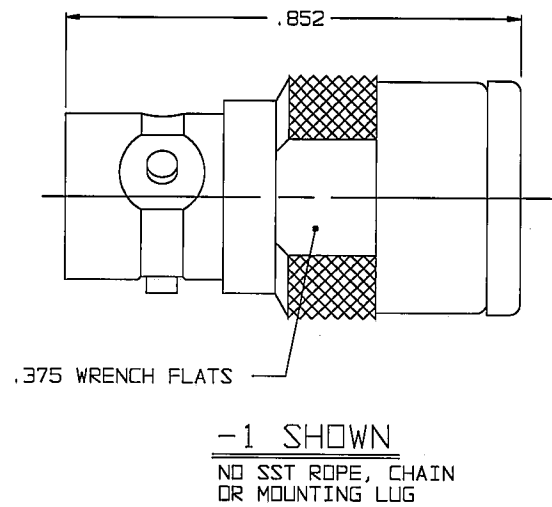
DATA CONTAINED IN THIS DOCUMENT IS PROPRIETARY TO TROMPETER ELECTRONICS, INC. AND SHALL NOT BE DISCLOSED, COPIED OR USED FOR REPRODUCTION OR MANUFACTURE WITHOUT EXPRESS WRITTEN PERMISSION.

REVISIONS			1-0067	SH 1
REV	ED	DESCRIPTION	OWN	APPROVED
A	12356	REVISED GENERAL UPDATE; SEE ECC	DKC	<i>[Signature]</i>

DASH NO	DESCRIPTION
-1	CAP (NO CHAIN)
-2	CAP WITH 2.5 INCH BRASS CHAIN
-3	CAP WITH 2.5 INCH NYLON CHAIN
-4	CAP WITH 3.0 INCH BRASS CHAIN
-5	CAP WITH 3.0 INCH NYLON CHAIN
-6	CAP WITH 6.0 INCH BRASS CHAIN
-7	CAP WITH 6.0 INCH NYLON CHAIN
-8	CAP WITH 4.0 INCH BRASS CHAIN
-9	CAP WITH 4.0 INCH NYLON CHAIN
-10	CAP WITH 10.0 INCH BRASS CHAIN
-11	CAP WITH 10.0 INCH NYLON CHAIN
-12	CAP WITH 2.5 INCH SST ROPE
-13	CAP WITH 3.0 INCH SST ROPE
-14	CAP WITH 6.0 INCH SST ROPE
-15	CAP WITH 4.0 INCH SST ROPE
-16	CAP WITH 7.0 INCH SST ROPE
-17	CAP WITH 4.5 INCH SST ROPE

MODEL NO	LTR CODE	TYPE
RFI157	A	3-LUG
RFI157FL	B	4-LUG
RFI1357	C	THREADED

DASH NO	*A* DIA	*B* DIA	*C* DIM	*D* DIM	INCH	MM	INCH	MM	INCH	MM	INCH	MM	INCH	MM	INCH	MM
-02	.630	.750	1.066	.450	.005	0.13	.290	7.37	.406	10.31	.567	14.40	.878	22.30	10.0	254.00
-03	.505	.625	.941	.388	.010	0.25	.295	7.49	.419	10.64	.610	15.49	.925	23.50		
-04	.439	.562	.878	.355	.030	0.76	.300	7.62	.437	11.10	.625	15.88	.941	23.90		
-05	.380	.500	.816	.325	.032	0.81	.317	8.05	.439	11.15	.630	16.00	1.003	25.48		
-06	.317	.437	.753	.295	.062	1.58	.325	8.26	.447	11.35	.687	17.45	1.066	27.08		
-07	.281	.406	.722	.278	.140	3.56	.330	8.38	.450	11.43	.722	18.34	2.5	63.50		
-08	.610	.750	1.066	.450	.200	5.08	.355	9.02	.500	12.70	.750	19.05	3.0	76.20		
-09	.567	.687	1.003	.419	.278	7.06	.380	9.65	.56	14.22	.816	20.73	6.0	152.40		
-DDB	.330	.450	.925	.300	.281	7.14	.388	9.86	.562	14.28	.852	21.64	7.0	177.80		



- Ⓟ 1/16 DIA BLACK NYLON JACKET OVER 3/64, 7 X 7 SST ROPE
- Ⓟ NOTE THAT CHAIN LENGTH FOR SST ROPE WITH MOUNTING LUG OPTION IS NOT MEASURED TO CENTER OF BULKHEAD MOUNTING LUG
- 4. EXAMPLE OF COMPLETE MODEL NO:
RFI157-2-03
BASIC MODEL NO BULKHEAD JACK MOUNTING LUG (OPTIONAL) (SEE TABLE 3)
 CHAIN/ROPE MATL AND LENGTH (SEE TABLE 1)
- 3. MALE 3 & 4-LUG & THREADED STYLE SUBMINIATURE RFI DUST CAP WITH OR WITHOUT CHAIN OR JACKETED STAINLESS STEEL ROPE AND MOUNTING OPTION
- 2. FINISH: TFS-1A (NICKEL)
- 1. ALL DIM ARE IN INCHES

QTY	DESCRIPTION	PART NUMBER	ITEM
TOL UNLESS SPECIFIED .005 ± .0005 ± ANGLES	TROMPETER ELECTRONICS, INC.	RFI157/RFI157FL/RFI157FL/RFI157FL/RFI1357/RFI1357	
OWN DKC 5-20-88	MATERIAL	CODE IDENT 14949	DRAWING NO. 1-0067
CHK TAM 5-29-88			REV A
ENGR			
APPR			

SCALE 6/1 DATE 8-18-89 SHEET 1 OF 2