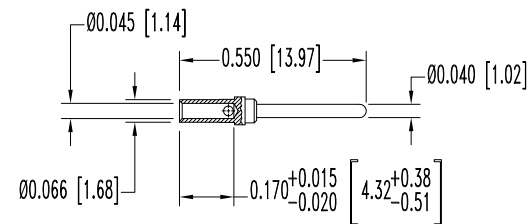
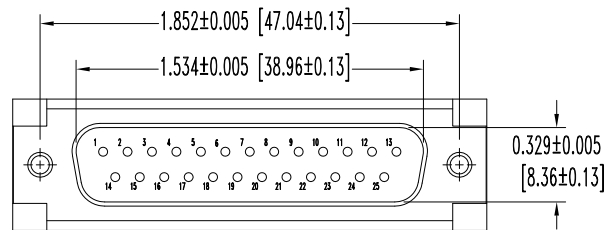
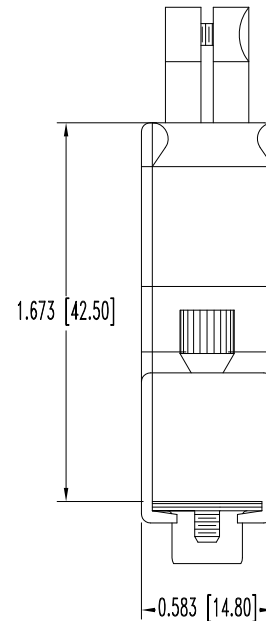
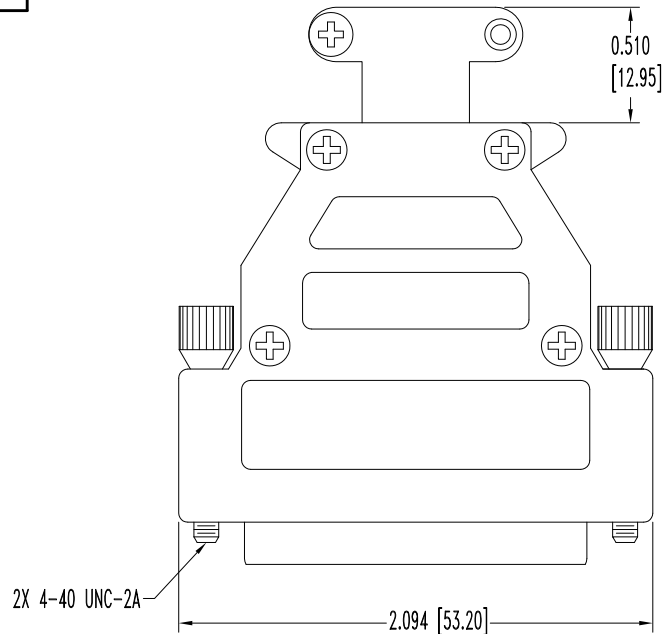


SK9278

THIS DRAWING CONTAINS INFORMATION PROPRIETARY TO POSITRONIC AND ITS SUBSIDIARIES. POSITRONIC BELIEVES THE DATA ON THIS DRAWING TO BE RELIABLE, SINCE THE TECHNICAL INFORMATION IS GIVEN FREE OF CHARGE, THE USER EMPLOYS SUCH INFORMATION AT HIS OWN DISCRETION AND RISK. POSITRONIC ASSUMES NO RESPONSIBILITY FOR RESULTS OBTAINED OR DAMAGES INCURRED FROM USE OF SUCH INFORMATION IN WHOLE OR IN PART.

DATE	REV	REVISION RECORD	APP	DR	CK
2-27-08	NC	ECO 29070	RCW	YK	COLE



25X MALE CONTACT
ENLARGED

NOTES:

- MATERIALS AND FINISHES:
INSULATOR: GLASS FILLED DAP PER ASTM-D-5948, SDG-F, UL94V-0, COLOR GREEN.
CONTACTS: PRECISION MACHINED BRASS, GOLD FLASH OVER NICKEL FINISH.
SHELLS: STEEL WITH TIN PLATE.
HOOD: ZINC, DIE CAST.
JACKSCREWS: STEEL WITH NICKEL PLATE.
CABLE CLAMPS: ZINC, DIE CAST.
SCREWS: STEEL WITH NICKEL PLATE.
- ELECTRICAL CHARACTERISTICS:
CONTACT CURRENT RATING: 7.5 AMPERES NOMINAL.
INITIAL CONTACT RESISTANCE: 0.005 OHMS MAXIMUM.
INSULATOR RESISTANCE: 5 G OHMS.
WORKING VOLTAGE: 300 V r.m.s.
- TEMPERATURE RANGE: -55°C TO +125°C.
- DIMENSIONS ARE IN INCHES [MILLIMETERS].

	POSITRONIC INDUSTRIES INC. www.connectpositronic.com		FSCM 28198
	 DECIMAL TOL. ± 0.015 [0.38]	ORD SERIES	SCALE N.T.S.
 ANGULAR TOL. ± 5°	TITLE ORD25M10GEX		
DATE 2-27-08	DRAWING NUMBER SK9278	APPROVED BY R WILLIAMS	REV. NC