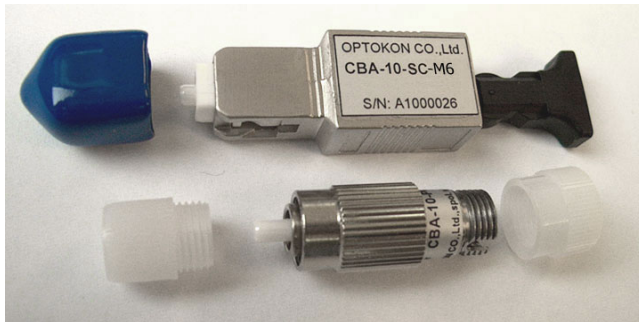


Plug-Type (Male/Female) Attenuators CBA series – Multimode

Description:

The plug-type CBA series multimode attenuators are used directly on the ends of fiberoptic jumpers prior to installation in adapters. These attenuators provide a fixed level of attenuation made by fiber core offset. The CBA series multimode attenuators are available for SC, FC, ST and LC connectors. Operational wavelength range is 850 or 1300 nm.



Features:

- Precise attenuation
- Multimode performance
- Operational wavelength 850 or 1300 nm
- Attenuation range 2 – 10 dB
- Easy installation
- High power endurance

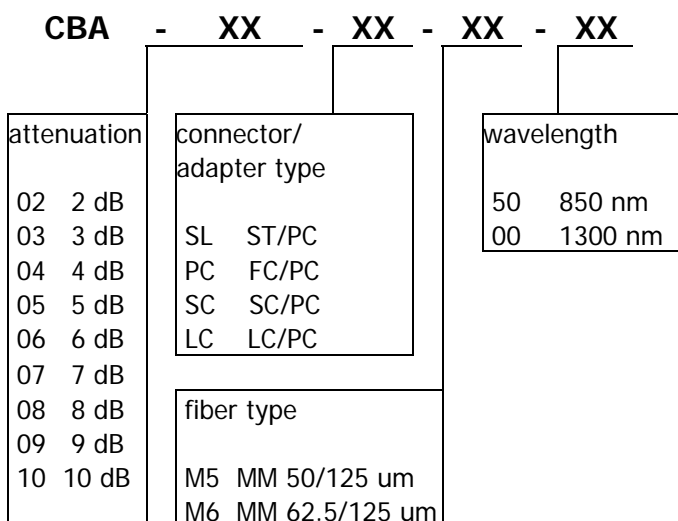
Application:

- Fiberoptic systems
- Receiver padding for optical receiver protection
- Optical power equalization
- Linearity and dynamic range testing in laboratory equipment
- Optical margin testing
- BER testing

Specifications:

Parameter	
Attenuation range	2 -10 dB
Operational wavelength	850 -1300 nm
Stability	
attenuation range 2 to 5 dB	±0.8 dB
attenuation range 6 to 10 dB	±1.0 dB
Return loss	>30 dB
Power durability	150 mW
Operating temperature	-25 to 70 °C
Storage temperature	-40 to 80 °C

Ordering Code:



Samples of Attenuators



CBA-10-PC-M6-50



CBA-10-SC-M6-50



CBA-10-LC-M6-00



CBA-10-SL-M6-50

LC® and ST® are trademark of Lucent Technologies, Inc.