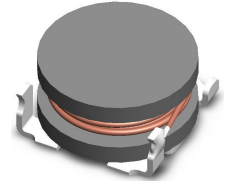
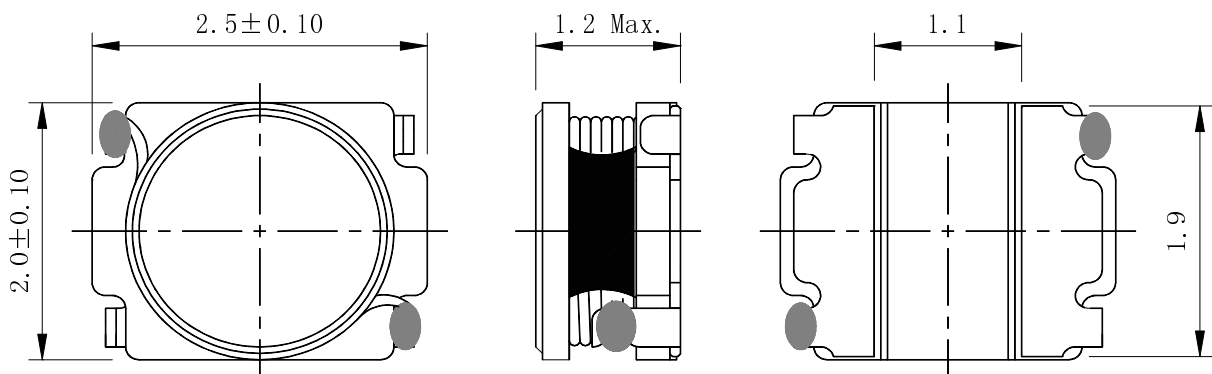


Type: CDH25D11
◆ Product Description

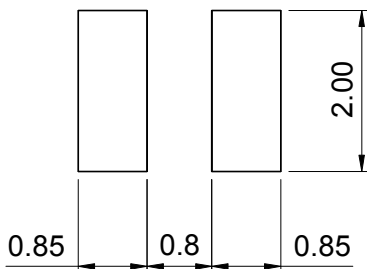
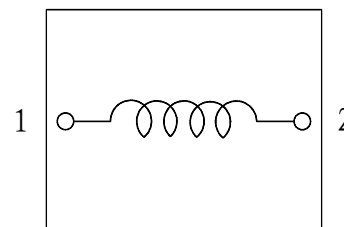
- 2.6×2.1 mm Max.(L×W),1.2mm Max. Height.
- Inductance range: 0.47~10 μ H.
- Rated current range: 0.44~1.80A.
- In addition to the standard versions of inductors shown here, custom inductors are available to meet your exact requirements.


◆ Feature

- Magnetically unshielded construction.
- Ideally used in Mobile phone,PDA,MP3,DSC/DVC,Portable DVD etc as DC-DC Converter inductors.
- RoHS Compliance.

◆ Dimensions (mm)


* Dimensions without tolerance are approx.

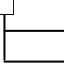
◆ Land Pattern (mm)

◆ Schematics (Bottom)


Type: CDH25D11
◆ Specification

Part Name ※	Stamp	Inductance 1MHz (μ H)	D.C.R. Max.(Typ.) (Ω)	Saturation Current (A) ※1	Temperature Rise Current (A) ※2
CDH25D11HF-R47N□	A	0.47 \pm 30%	68.9m(55.1m)	3.05(3.81)	1.80(2.00)
CDH25D11HF-1R0N□	B	1.0 \pm 30%	0.108(86.4m)	2.20(2.75)	1.40(1.58)
CDH25D11HF-1R5N□	C	1.5 \pm 30%	0.165(0.132)	1.78(2.23)	1.15(1.30)
CDH25D11HF-2R2M□	D	2.2 \pm 20%	0.195(0.156)	1.39(1.74)	1.02(1.15)
CDH25D11HF-3R3M□	E	3.3 \pm 20%	0.301(0.241)	1.14(1.42)	0.80(0.89)
CDH25D11HF-4R7M□	F	4.7 \pm 20%	0.468(0.374)	0.98(1.22)	0.60(0.67)
CDH25D11HF-6R8M□	G	6.8 \pm 20%	0.730(0.584)	0.82(1.02)	0.48(0.55)
CDH25D11HF-100M□	J	10.0 \pm 20%	0.983(0.786)	0.68(0.85)	0.44(0.52)

※ Description of part name

CDH25D11HF-R47N□



B: Box
C: Carrier Tape

※1. Saturation Current: The DC current at which the inductance decreases to 70% of its nominal value.

※2. Temperature Rise Current: The DC current at which the temperature rise is $\Delta t=40^{\circ}\text{C}$ ($T_a=20^{\circ}\text{C}$).