

SPECIFICATIONS

DDR Connector

Mechanical

Contact Retention Force: 0.75Lbs (0.34kgf) min. per Contact
Durability: 25 Cycles
Dram Board Insertion Force: 3 oz max. per Contact

AU392 Series

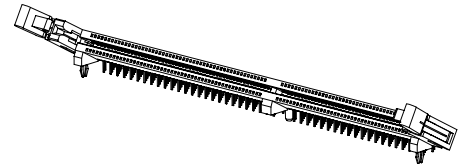
30 Degree, T/H Reverse Type
1.27mm [.050"] Pitch
184 Pos.

Electrical

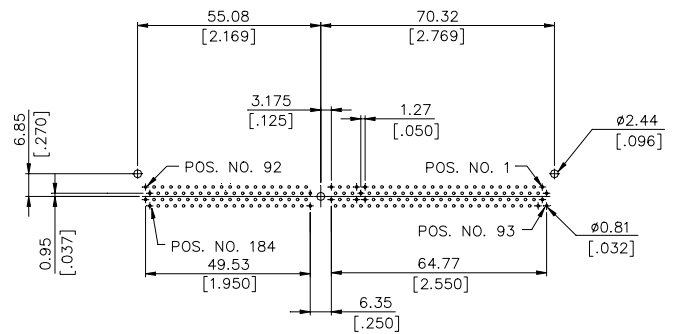
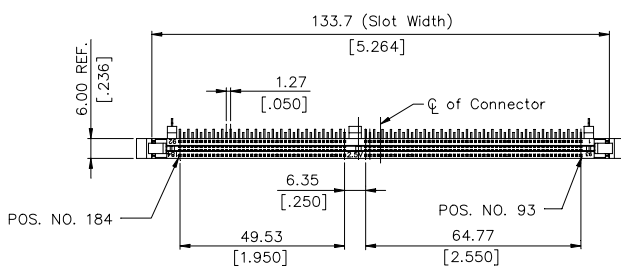
Voltage Raging: 250V AC
Current Rating: 1.0A max., 30°C max., in Temperature Rise
Insulation Resistance: 1000MΩ min. initial
Dielectric Withstanding Voltage: 500V AC at Sea Level
Low Level Contact Resistance: 30mΩ max. initial

Physical

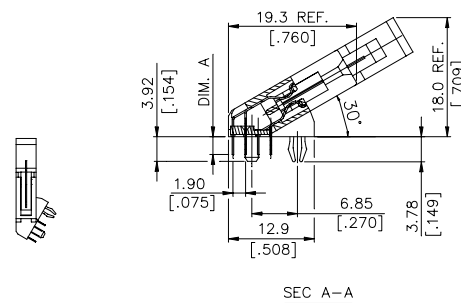
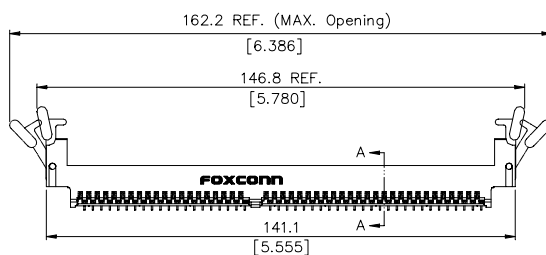
Housing: Thermoplastic, UL 94V-0 rated in Black Color
Contact: Copper alloy
Ejector: Thermoplastic, UL 94V-0 rated in Ivory or Natural Color
Metal Hold Down: Copper alloy
Operating Temperature: -55°C to +105°C



DRAWING



RECOMMENDED P.C.B. LAYOUT



SEC A-A

ORDERING INFORMATION

PRODUCT NO.: AU392** - A5A

Memory Socket with Contact Pitch of .050" ———— Extension Code
 30 Degree Type ———— Contact Area Plating
 No. of Pos. ———— 1=Gold Flash
 92=184 Pos. ———— 2=20u" Gold
 Tail Length ———— 3=30u" Gold
 0=3.15 [.124] ———— 6=10u" Gold
 1=2.67 [.105] ———— 7=15u" Gold
 ———— F=Gold Flash (Lead Free)
 ———— J=10u" Gold (Lead Free)
 ———— V=15u" Gold (Lead Free)
 ———— X=20u" Gold (Lead Free)
 ———— H=30u" Gold (Lead Free)

AU3920*-A5A	184	2.5V	3.15 [.124]
AU3921*-A5A		2.5V	2.67 [.105]
P/N	POS.	VOLTAGE MARKING	DIM. A