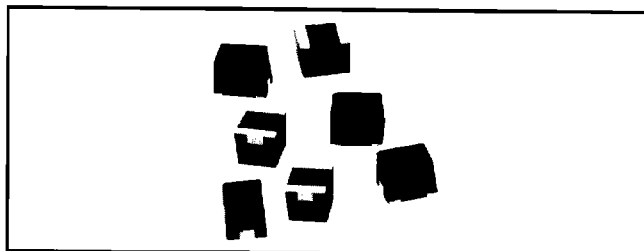




Inductors

Surface Mount, Molded, Shielded



FEATURES

- Molded construction provides superior strength and moisture resistance.
- Tape and reel packaging for automatic handling, 2000/reel, EIA 481.
- Compatible with vapor phase, infrared and wave soldering methods.
- Shielded construction minimizes coupling to other components.

ELECTRICAL SPECIFICATIONS

Inductance Range: .01μH to 100μH.

Inductance Tolerance: ± 20% for .01μH to .82μH.
± 10% for 1.0μH to 100μH standard. 2%, 3%, and 5% (also 1% on some values) tolerances available.

Temperature Range: - 55°C to + 125°C.

Coilform Material: Non-magnetic for .01μH to .10μH.
Powdered Iron for .12μH to 100μH.

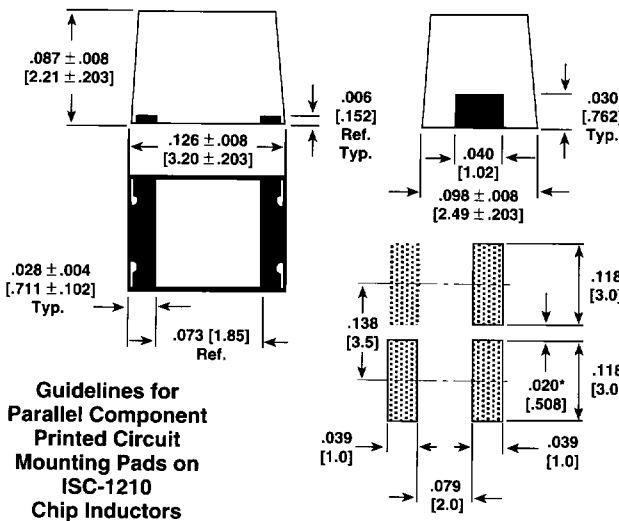
TEST EQUIPMENT

- H/P 4342A Q meter with Vishay Dale test fixture or equivalent.
- H/P 4191A RF Impedance Analyzer (for SRF measurements).
- Wheatstone Bridge.

STANDARD ELECTRICAL SPECIFICATIONS						
IND. (μH)	TOL.	Q MIN.	TEST FREQ. L & Q (MHz)	SELF-RESONANT FREQ. MIN. (MHz)	DCR MAX. (Ohms)	RATED DC CURRENT (mA)
.010	±20%	50	50.0	1000.0	.10	810
.012	±20%	50	50.0	1000.0	.11	750
.015	±20%	50	50.0	1000.0	.12	720
.018	±20%	50	50.0	1000.0	.13	690
.022	±20%	45	50.0	1000.0	.15	640
.027	±20%	45	50.0	1000.0	.17	610
.033	±20%	45	50.0	1000.0	.18	585
.039	±20%	40	50.0	1000.0	.24	530
.047	±20%	40	50.0	1000.0	.26	495
.056	±20%	40	50.0	1000.0	.28	485
.068	±20%	40	50.0	1000.0	.35	475
.082	±20%	38	50.0	900.0	.45	460
.100	±20%	36	50.0	700.0	.50	450
.12	±20%	40	25.2	500.0	.20	630
.15	±20%	40	25.2	470.0	.20	600
.18	±20%	40	25.2	400.0	.24	580
.22	±20%	40	25.2	330.0	.30	565
.27	±20%	40	25.2	310.0	.33	500
.33	±20%	40	25.2	280.0	.36	475
.39	±20%	40	25.2	230.0	.40	465
.47	±20%	40	25.2	220.0	.44	460
.56	±20%	40	25.2	200.0	.46	455
.68	±20%	40	25.2	180.0	.48	450
.82	±20%	40	25.2	160.0	.50	450
1.0	±10%	30	7.96	120.0	.60	400
1.2	±10%	30	7.96	110.0	.65	390
1.5	±10%	30	7.96	90.0	.75	370
1.8	±10%	30	7.96	85.0	.85	350
2.2	±10%	30	7.96	65.0	.90	320
2.7	±10%	30	7.96	60.0	1.00	290
3.3	±10%	30	7.96	60.0	1.10	270
3.9	±10%	30	7.96	58.0	1.20	250
4.7	±10%	30	7.96	52.0	1.25	220
5.6	±10%	30	7.96	50.0	1.40	210
6.8	±10%	30	7.96	40.0	1.60	205
8.2	±10%	30	7.96	35.0	1.65	195
10.0	±10%	30	2.52	30.0	2.00	185
12.0	±10%	30	2.52	24.0	2.30	175
15.0	±10%	30	2.52	20.0	2.50	165
18.0	±10%	30	2.52	17.0	2.70	155
22.0	±10%	30	2.52	16.0	3.10	150
27.0	±10%	30	2.52	14.5	3.30	125
33.0	±10%	30	2.52	14.5	5.10	115
39.0	±10%	30	2.52	14.0	5.90	105
47.0	±10%	30	2.52	13.0	8.00	100
56.0	±10%	30	2.52	11.5	10.00	95
68.0	±10%	30	2.52	11.0	10.00	90
82.0	±10%	30	2.52	11.0	11.00	85
100.0	±10%	30	.796	6.0	12.00	80

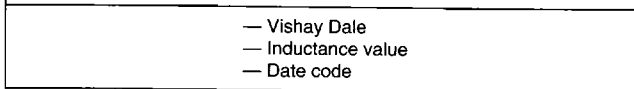
DIMENSIONAL CONFIGURATIONS

[Numbers in brackets indicate millimeters]



*Recommended minimum spacing between components.

PART MARKING



HOW TO ORDER

ISC-1210 MODEL	10μH INDUCTANCE VALUE	± 10% INDUCTANCE TOLERANCE
-------------------	-----------------------------	----------------------------------