



# Product Change Notification



Product Group: SFERNICE / Jan. 18th , 2010 / PCN-SF / FL 092- 2010 Rev 0 / page 1/4

## M63 & M70 TRIMMERS

**DESCRIPTION OF CHANGE:** Color change. See drawings below.

**CLASSIFICATION OF CHANGE:** Form Fit Function

**REASON FOR CHANGE:** Raw Material Obsolescence / Synergy with all Vishay Sfernice Trimmers color

**EXPECTED INFLUENCE ON QUALITY/RELIABILITY/PERFORMANCE:** None.

**PRODUCT CATEGORY:** Trimmers

**PART NUMBERS/SERIES/FAMILIES AFFECTED:** M63 & M70. P/Ns list on pages 3 & 4

M63xB40	M63xTx
M70xB25	M70xTx

**VISHAY BRAND(s):** Vishay Spectrol

**TIME SCHEDULE:**

Last Time Buy Date : March 31<sup>st</sup> 2010  
Last Time Shipment Date : August 31<sup>st</sup> 2010

M63 New color Production start May 2010  
M70 New color Production start July 2010

**SAMPLE AVAILABILITY :** Available on request starting W12 2010

**PRODUCT IDENTIFICATION :** Color

**QUALIFICATION DATA :** available on request W12 2010 (Data sheets will be updated)

**This PCN is considered approved, without further notification, unless we receive specific customer concerns before Feb 26th 2010 or as specified by contract.**

**ISSUED BY:** Frederic Lovera / Product Marketing Mgr. Frederic.lovera@vishay.com

**For further information, please contact CS or our Regional Marketing Vishay office.**

**CONTACT INFORMATION:**

**The Americas**

**VISHAY SPECTROL**  
4051 Greystone Drive  
Ontario, CA 91761 USA

George KANELAS  
Tel : (909) 923 3313 ext. 114

**Europe**

**VISHAY-Division SFERNICE**  
BP 1159, 199 Bd de la Madeleine  
06003 NICE CEDEX FRANCE

Frederic Lovera  
Tel : (33) 493 37 29 50

**Asia**

**VISHAY Intertechnology  
Asia Pte. LTD**  
25Tampiness Street 92

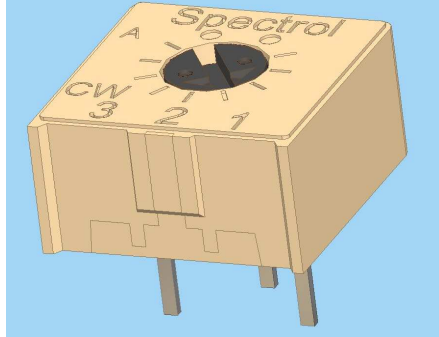
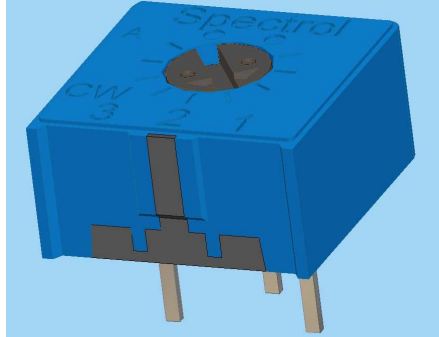
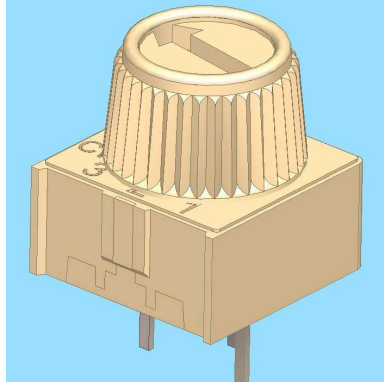
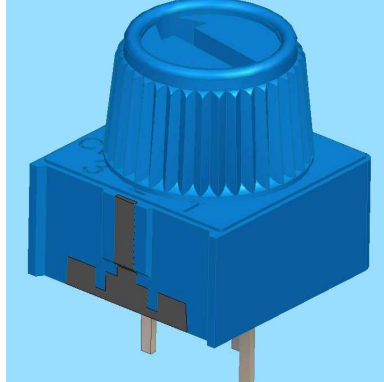
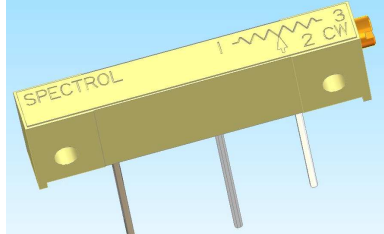

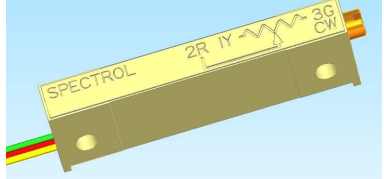
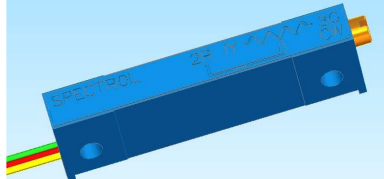
Vincent ONG  
Tel : (65) 6780 7746



# Product Change Notification



Product Group: SFERNICE / Jan. 18th , 2010 / PCN-SF / FL 092- 2010 Rev 0 / page 2/4

Old M63	New M63
	
Old M63 T607	New M63 T607
	
Old M70Y	New M70Y
	
Old M70L	New M70L
	



# Product Change Notification



Product Group: SFERNICE / Jan. 18th , 2010 / PCN-SF / FL 092- 2010 Rev 0 / page 3/4

Part Number	Description	Part Number	Description
M63M101KB30T607	63 M 100U 10% T607 BO100 e3	M63P102KB40T614	63 P 1K 10% T614 BO200 e3
M63M101KB40	63 M 100U 10% BO200 e3	M63P103KB30Q105	63 P 10K 10% 8-989 BO100 e3
M63M102KB30Q105	63 M 1K 10% 8-990 BO100 e3	M63P103KB30T607	63 P 10K 10% T607 BO100 e3
M63M102KB30T607	63 M 1K 10% T607 BO100 e3	M63P103KB30T640	63 P 10K 10% T640 BO100 e3
M63M102KB40	63 M 1K 10% BO200 e3	M63P103KB40	63 P 10K 10% BO200 e3
M63M103KB30T607	63 M 10K 10% T607 BO100 e3	M63P103KB40T607	63 P 10K 10% T607 BO200 e3
M63M103KB30T640	63 M 10K 10% T640 BO100 e3	M63P103KB40T614	63 P 10K 10% T614 BO200 e3
M63M103KB40	63 M 10K 10% BO200 e3	M63P104KB30Q105	63 P 100K 10% 8-989 BO100 e3
M63M103KB40T614	63 M 10K 10% T614 BO200 e3	M63P104KB30T607	63 P 100K 10% T607 BO100 e3
M63M104KB30T607	63 M 100K 10% T607 BO100 e3	M63P104KB30T640	63 P 100K 10% T640 BO100 e3
M63M104KB40	63 M 100K 10% BO200 e3	M63P104KB40	63 P 100K 10% BO200 e3
M63M104KB40T614	63 M 100K 10% T614 BO200 e3	M63P104KB40T614	63 P 100K 10% T614 BO200 e3
M63M105KB30T607	63 M 1M 10% T607 BO100 e3	M63P105KB30T607	63 P 1M 10% T607 BO100 e3
M63M105KB40	63 M 1M 10% BO200 e3	M63P105KB30T640	63 P 1M 10% T640 BO100 e3
M63M105KB40T614	63 M 1M 10% T614 BO200 e3	M63P105KB40	63 P 1M 10% BO200 e3
M63M201KB30T607	63 M 200U 10% T607 BO100 e3	M63P201KB40	63 P 200U 10% BO200 e3
M63M201KB40	63 M 200U 10% BO200 e3	M63P202KB30Q105	63 P 2K 10% 8-989 BO100 e3
M63M202KB30T607	63 M 2K 10% T607 BO100 e3	M63P202KB30T607	63 P 2K 10% T607 BO100 e3
M63M202KB40	63 M 2K 10% BO200 e3	M63P202KB30T640	63 P 2K 10% T640 BO100 e3
M63M203KB30T607	63 M 20K 10% T607 BO100 e3	M63P202KB40	63 P 2K 10% BO200 e3
M63M203KB40	63 M 20K 10% BO200 e3	M63P203KB30Q105	63 P 20K 10% 8-989 BO100 e3
M63M204KB30Q106	63 M 200K 10% 9-841 BO100 e3	M63P203KB30Q116	63 P 20K 10% Q116 BO100 e3
M63M204KB30T607	63 M 200K 10% T607 BO100 e3	M63P203KB30T607	63 P 20K 10% T607 BO100 e3
M63M204KB30T640	63 M 200K 10% T640 BO100 e3	M63P203KB30T640	63 P 20K 10% T640 BO100 e3
M63M204KB40	63 M 200K 10% BO200 e3	M63P203KB40	63 P 20K 10% BO200 e3
M63M204KB40T614	63 M 200K 10% T614 BO200 e3	M63P204KB30T607	63 P 200K 10% T607 BO100 e3
M63M205KB40	63 M 2M 10% BO200 e3	M63P204KB40	63 P 200K 10% BO200 e3
M63M251KB40	63 M 250U 10% BO200 e3	M63P205KB30T607	63 P 2M 10% T607 BO100 e3
M63M253KB40	63 M 25K 10% BO200 e3	M63P205KB30T640	63 P 2M 10% T640 BO100 e3
M63M254KB40	63 M 250K 10% BO200 e3	M63P205KB40	63 P 2M 10% BO200 e3
M63M501KB30T607	63 M 500U 10% T607 BO100 e3	M63P253KB40	63 P 25K 10% BO200 e3
M63M501KB40	63 M 500U 10% BO200 e3	M63P254KB40	63 P 250K 10% BO200 e3
M63M501KB40T614	63 M 500U 10% T614 BO200 e3	M63P501KB30Q105	63 P 500U 10% 8-989 BO100 e3
M63M502KB30Q105	63 M 5K 10% 8-990 BO100 e3	M63P501KB30T607	63 P 500U 10% T607 BO100 e3
M63M502KB30T607	63 M 5K 10% T607 BO100 e3	M63P501KB40	63 P 500U 10% BO200 e3
M63M502KB40	63 M 5K 10% BO200 e3	M63P502KB30Q105	63 P 5K 10% 8-989 BO100 e3
M63M503KB30T607	63 M 50K 10% T607 BO100 e3	M63P502KB30T607	63 P 5K 10% T607 BO100 e3
M63M503KB40	63 M 50K 10% BO200 e3	M63P502KB30T640	63 P 5K 10% T640 BO100 e3
M63M504KB30T607	63 M 500K 10% T607 BO100 e3	M63P502KB40	63 P 5K 10% BO200 e3
M63M504KB40	63 M 500K 10% BO200 e3	M63P502KB40T607	63 P 5K 10% T607 BO200 e3
M63P101KB30T607	63 P 100U 10% T607 BO100 e3	M63P503KB30T607	63 P 50K 10% T607 BO100 e3
M63P101KB40	63 P 100U 10% BO200 e3	M63P503KB30T640	63 P 50K 10% T640 BO100 e3
M63P102KB30T607	63 P 1K 10% T607 BO100 e3	M63P503KB40	63 P 50K 10% BO200 e3
M63P102KB30T640	63 P 1K 10% T640 BO100 e3	M63P503KT20	63 P 50K 10% TU50 e3
M63P102KB40	63 P 1K 10% BO200 e3	M63P504KB30T607	63 P 500K 10% T607 BO100 e3
M63P102KB40T607	63 P 1K 10% T607 BO200 e3	M63P504KB30T640	63 P 500K 10% T640 BO100 e3



# Product Change Notification



Product Group: SFERNICE / Jan. 18th , 2010 / PCN-SF / FL 092- 2010 Rev 0 / page 4/4

Part Number	Description	Part Number	Description
M63P504KB40	63 P 500K 10% BO200 e3	M63X503KB30T607	63 X 50K 10% T607 BO100 e3
M63S101KB40	63 S 100U 10% BO200 e3	M63X503KB40	63 X 50K 10% BO200 e3
M63S102KB40	63 S 1K 10% BO200 e3	M63X504KB30T607	63 X 500K 10% T607 BO100 e3
M63S103KB40Q107	63 S 10K 10% 9-832 BO200 e3	M63X504KB40	63 X 500K 10% BO200 e3
M63S104KB40	63 S 100K 10% BO200 e3	M63X504KB40T614	63 X 500K 10% T614 BO200 e3
M63S105KB40	63 S 1M 10% BO200 e3	M70L100KB25	70 L 10U 10% BO50 e3
M63S201KB40	63 S 200U 10% BO200 e3	M70L101KB25	70 L 100U 10% BO50 e3
M63S202KB40	63 S 2K 10% BO200 e3	M70L102KB25	70 L 1K 10% BO50 e3
M63S202KB40T614	63 S 2K 10% T614 BO200 e3	M70L103KB25	70 L 10K 10% BO50 e3
M63S203KB40	63 S 20K 10% BO200 e3	M70L104JB25	70 L 100K 5% BO50 e3
M63S204KB40	63 S 200K 10% BO200 e3	M70L104KB25	70 L 100K 10% BO50 e3
M63S205KB40	63 S 2M 10% BO200 e3	M70L105KB25	70 L 1M 10% BO50 e3
M63S253KB40	63 S 25K 10% BO200 e3	M70L201KB25	70 L 200U 10% BO50 e3
M63S254KB40	63 S 250K 10% BO200 e3	M70L202KB25	70 L 2K 10% BO50 e3
M63S501KB40	63 S 500U 10% BO200 e3	M70L202KB25T601	70 L 2K 10% T601 BO50 e3
M63S502KB40	63 S 5K 10% BO200 e3	M70L203KB25	70 L 20K 10% BO50 e3
M63S503KB40	63 S 50K 10% BO200 e3	M70L204KB25	70 L 200K 10% BO50 e3
M63S504KB40	63 S 500K 10% BO200 e3	M70L205KB25	70 L 2M 10% BO50 e3
M63X101KB40	63 X 100U 10% BO200 e3	M70L254KB25	70 L 250K 10% BO50 e3
M63X102KB30T607	63 X 1K 10% T607 BO100 e3	M70L500KB25	70 L 50U 10% BO50 e3
M63X102KB40	63 X 1K 10% BO200 e3	M70L501KB25	70 L 500U 10% BO50 e3
M63X103KB30Q108	63 X 10K 10% 9-800 BO100 e3	M70L501KB25T601	70 L 500U 10% T601 BO50 e3
M63X103KB30T607	63 X 10K 10% T607 BO100 e3	M70L502KB25	70 L 5K 10% BO50 e3
M63X103KB40	63 X 10K 10% BO200 e3	M70L503KB25	70 L 50K 10% BO50 e3
M63X103KB40T614	63 X 10K 10% T614 BO200 e3	M70L503KB25T601	70 L 50K 10% T601 BO50 e3
M63X104KB30T607	63 X 100K 10% T607 BO100 e3	M70Y100KB25	70 Y 10U 10% BO50 e3
M63X104KB40	63 X 100K 10% BO200 e3	M70Y101KB25	70 Y 100U 10% BO50 e3
M63X104KB40T614	63 X 100K 10% T614 BO200 e3	M70Y102KB25	70 Y 1K 10% BO50 e3
M63X105KB40	63 X 1M 10% BO200 e3	M70Y103KB25	70 Y 10K 10% BO50 e3
M63X201KB40	63 X 200U 10% BO200 e3	M70Y104KB25	70 Y 100K 10% BO50 e3
M63X202KB30T607	63 X 2K 10% T607 BO100 e3	M70Y105KB25	70 Y 1M 10% BO50 e3
M63X202KB40	63 X 2K 10% BO200 e3	M70Y200KB25	70 Y 20U 10% BO50 e3
M63X203KB30T607	63 X 20K 10% T607 BO100 e3	M70Y201KB25	70 Y 200U 10% BO50 e3
M63X203KB40	63 X 20K 10% BO200 e3	M70Y202KB25	70 Y 2K 10% BO50 e3
M63X203KB40T614	63 X 20K 10% T614 BO200 e3	M70Y203KB25	70 Y 20K 10% BO50 e3
M63X204KB40	63 X 200K 10% BO200 e3	M70Y203KB25T601	70 Y 20K 10% T601 BO50 e3
M63X205KB30T607	63 X 2M 10% T607 BO100 e3	M70Y204KB25	70 Y 200K 10% BO50 e3
M63X205KB40	63 X 2M 10% BO200 e3	M70Y205KB25	70 Y 2M 10% BO50 e3
M63X251KB40	63 X 250U 10% BO200 e3	M70Y250KB25	70 Y 25U 10% BO50 e3
M63X253KB40	63 X 25K 10% BO200 e3	M70Y253JB25	70 Y 25K 5% BO50 e3
M63X254KB40	63 X 250K 10% BO200 e3	M70Y253KB25	70 Y 25K 10% BO50 e3
M63X302KB40	63 X 3K 10% BO200 e3	M70Y500KB25	70 Y 50U 10% BO50 e3
M63X501KB40	63 X 500U 10% BO200 e3	M70Y501KB25	70 Y 500U 10% BO50 e3
M63X502KB30T607	63 X 5K 10% T607 BO100 e3	M70Y502KB25	70 Y 5K 10% BO50 e3
M63X502KB40	63 X 5K 10% BO200 e3	M70Y503KB25	70 Y 50K 10% BO50 e3
M63X502KB40T614	63 X 5K 10% T614 BO200 e3	M70Y504KB25	70 Y 500K 10% BO50 e3