

## FEATURES AND SPECIFICATIONS

### Features and Benefits

- Modularity
- Moveable screw clamp with captive screw
- Test facility
- Vertical (180°) and angled (90°) mounting type
- Available in blocks of 2, 3, and 4 positions which allow any configuration to be assembled with minimum inventory
- Standard color is green; black available, contact factory

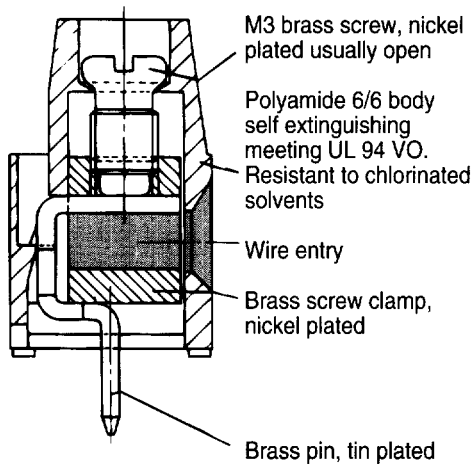
### Electrical

Voltage: Pitch 5mm (.197")—250V  
 Pitch 7.5mm (.295")—450V  
 Pitch 10mm (.394")—750V  
 Current: 24.0A  
 Contact Resistance: 15mΩ max.  
 Insulation Resistance: 10<sup>9</sup>Ω min. (500V DC)  
 Wire Range: 32-12 AWG

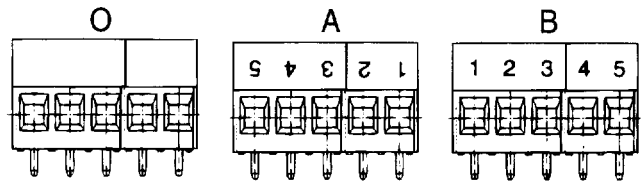
### Physical

Mounting Hole: 1.4mm (.055") min.  
 Color: Green  
 Temperature: -40 to 110°C

**molex**® Molex ETC™  
**MSQ Series**  
**Modular Terminal Blocks**



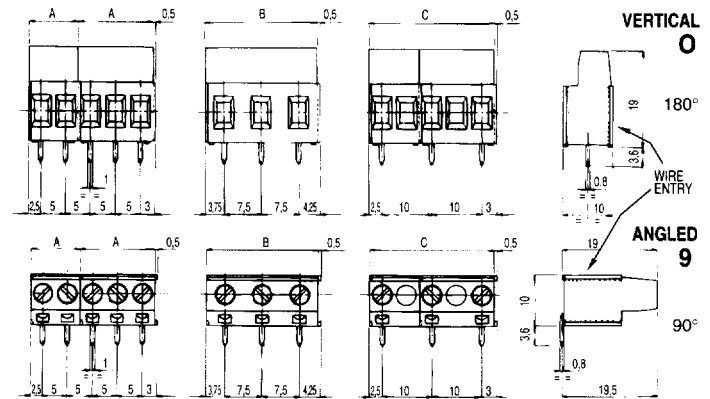
### Marking Style



### Pitch

- 1—5mm (.197"), 2—10mm (.394"), 3—7.5mm (.295"), 5—5.08mm (.200")  
 6—10.16mm (.400")

### Dimensions



To pick a part number—Complete the ordering code by choosing the number of Positions, the style of Marking (O, A, B), the Mounting Type (O, 9) and the Pitch

### ordering code



NO. of POSITIONS  
 MARKING STYLE  
 MOUNTING STYLE  
 PITCH

No. of Positions	A 5mm	B 7.5mm	C 10mm	D 5.08mm
02	10	15	15	10.16
03	15	22.5	25	15.24
04	20	30	35	20.32
05	25	37.5	45	25.40
06	30	45	55	30.48
07	35	52.5	65	35.56
08	40	60	75	40.64
09	45	67.5	85	45.72

No. of Positions	A 5mm	B 7.5mm	C 10mm	D 5.08mm
10	50	75	95	50.80
11	55	82.5	105	55.88
12	60	90	115	60.96
13	65	97.5	125	66.04
15	75	112.5	145	
20	100	150		
25	125			
30	150			

Industrial Products

