



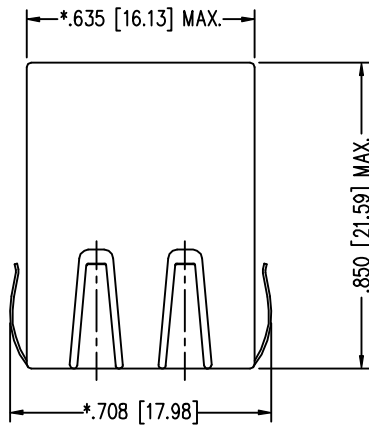
Stewart Connector Systems, Inc.  
 Insilco Technologies Group  
 11118 Susquehanna Trail South  
 Glen Rock, PA 17327-9199  
 (717) 235-7512 Fax: (717) 235-7954

REV.	REVISION CHANGES
X0	AS DRAWN

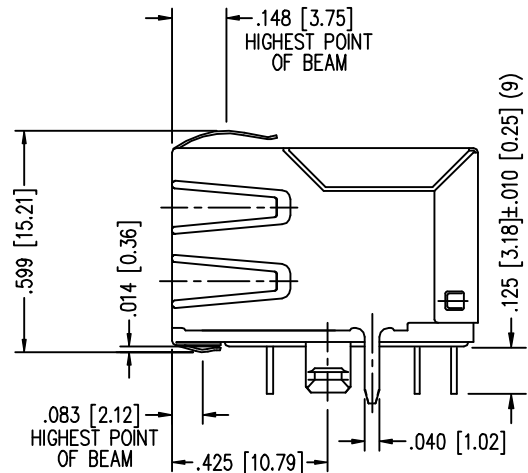
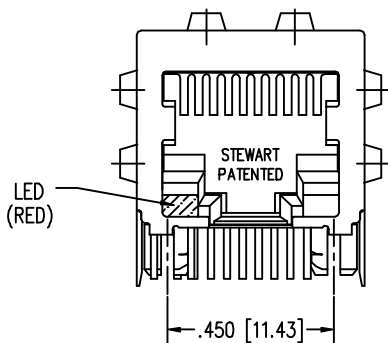
**PRELIMINARY PRINT**  
**CURRENTLY NOT TOOLED**  
**CONSULT FACTORY**

PART NO. SS-740910S-RN-PG4-BA

EMI-RFI ONE PIECE SHIELDED, ESD GROUNDED  
 SINGLE PORT LED JACK  
 "-RN" DESIGNATES LED COLOR COMBINATIONS  
 e.g. "-RN" USES A SINGLE RED LED  
 "-BA" DESIGNATES SOLDER TAILS IN REAR POSITION



**FOR REFERENCE ONLY**



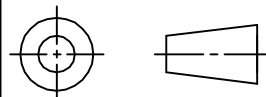
NOTES:

- FOR LED DATA AND FOOTPRINT, SEE SHEET 3 OF 3
- TOLERANCES COMPLY WITH F.C.C. DIMENSION REQUIREMENTS
- DIMENSIONS SHOWN WITH "\*" TO BE CENTRAL ABOUT CENTER LINE
- DIMENSIONS SHOWN ARE SUBJECT TO CHANGE WITHOUT NOTICE  
CONSULT FACTORY BEFORE ORDERING

AVAILABLE WITH:

- 30 & 50 MICRO-INCH SELECTIVE GOLD PLATING
- LOADED 1 - 10 CONTACTS

THIRD ANGLE PROJECTION



THIS DRAWING AND THE SUBJECT MATTER SHOWN THEREON ARE CONFIDENTIAL AND THE PROPRIETARY PROPERTY OF STEWART CONNECTOR SYSTEMS ("SCS") AND SHALL NOT BE REPRODUCED, COPIED OR USED IN ANY MANNER WITHOUT PRIOR WRITTEN CONSENT OF "SCS". THE SUBJECT MATTER MAY BE PATENTED OR A PATENT MAY BE PENDING. © SCS

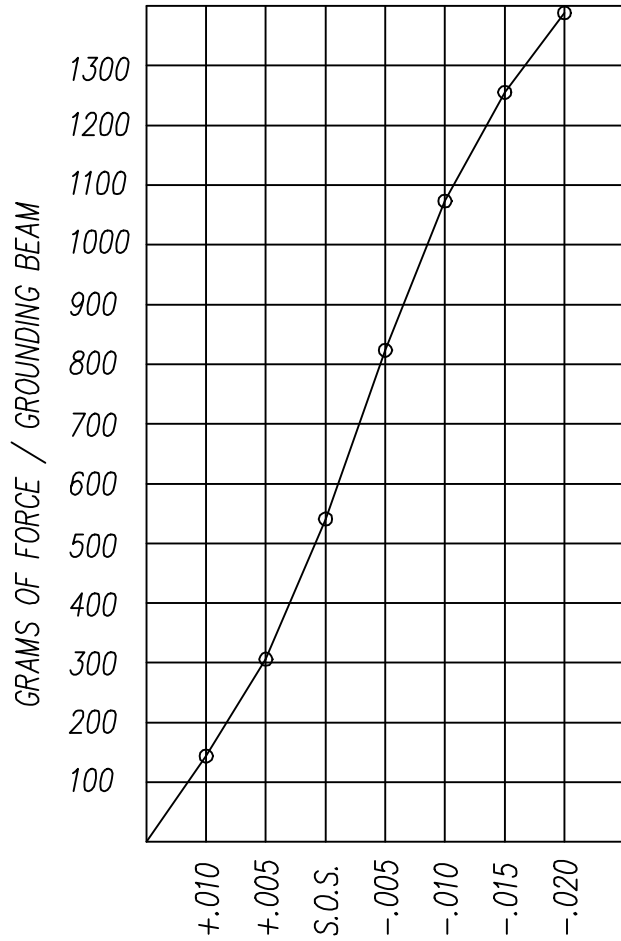


Stewart Connector Systems, Inc.  
 Insilco Technologies Group  
 11118 Susquehanna Trail South  
 Glen Rock, PA 17327-9199  
 (717) 235-7512 Fax: (717) 235-7954

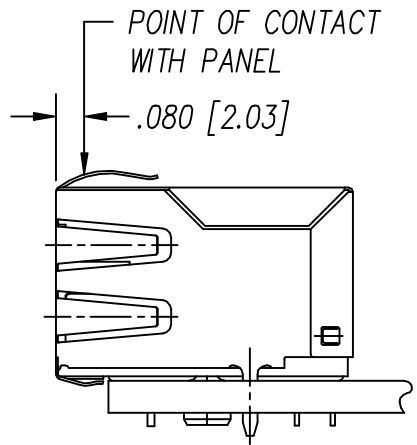
REV.	REVISION CHANGES
X0	AS DRAWN

**PRELIMINARY PRINT**  
**CURRENTLY NOT TOOLED**  
**CONSULT FACTORY**

PART NO. SS-740910S-RN-PG4-BA

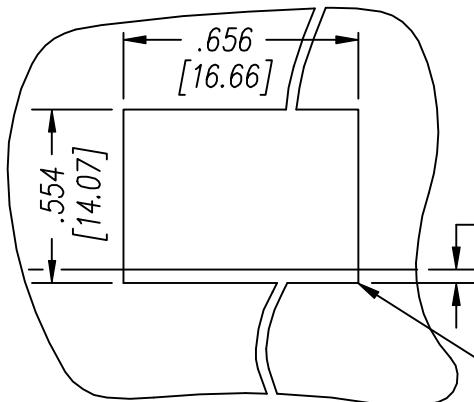


PANEL GROUNDING BEAM DEFLECTION  
 S.O.S. = SUGGESTED OPENING SIZE



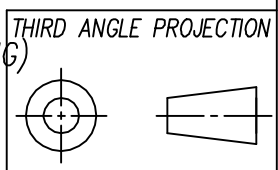
THE SUGGESTED PANEL OPENING IS INTENDED TO GIVE THE USER THE ABILITY TO HAVE REASONABLE JACK / PANEL CLEARANCES YET MAINTAIN RELIABLE GROUNDING CAPABILITY. THESE VARIABLES CAN BE ADJUSTED IN EITHER DIRECTION BUT MAY CARRY SOME CONSEQUENCES IN THE FORM OF LOWER MATING FORCES OR TIGHTER ASSEMBLY TOLERANCES. FORCE VALUES ON THE GRAPH ARE GENERAL AVERAGES TAKEN AT THE POINT OF CONTACT SHOWN ABOVE. THE SUGGESTED PANEL OPENING INCLUDES APPROXIMATELY .020 CLEARANCE ON THE SIDES AND TOP AND .013 ON THE BOTTOM, AT PANEL OPENING.

**FOR REFERENCE ONLY**



SUGGESTED PANEL OPENING

.000 [0.00] (TOP OF PCB TO BOTTOM OF OPENING)



THIS DRAWING AND THE SUBJECT MATTER SHOWN THEREON ARE CONFIDENTIAL AND THE PROPRIETARY PROPERTY OF STEWART CONNECTOR SYSTEMS ("SCS") AND SHALL NOT BE REPRODUCED, COPIED OR USED IN ANY MANNER WITHOUT PRIOR WRITTEN CONSENT OF "SCS". THE SUBJECT MATTER MAY BE PATENTED OR A PATENT MAY BE PENDING. © SCS



Stewart Connector Systems, Inc.  
 Insilco Technologies Group  
 11118 Susquehanna Trail South  
 Glen Rock, PA 17327-9199  
 (717) 235-7512 Fax: (717) 235-7954

REV.	REVISION CHANGES
X0	AS DRAWN

**PRELIMINARY PRINT**  
**CURRENTLY NOT TOOLED**  
**CONSULT FACTORY**

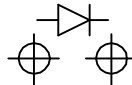
PART NO. SS-740910S-RN-PG4-BA

LED SPECIFICATIONS

STANDARD LED	* FORWARD VOLTAGE (MAX)	* FORWARD VOLTAGE (TYP)	POWER DISSIPATION	WAVELENGTH	LUMINOUS INTENSITY @ 10mA	
					MIN	MAX
RED DIFFUSED	2.5 V	2.0 V	105 mW	625nm	3.2 MCD	20 MCD

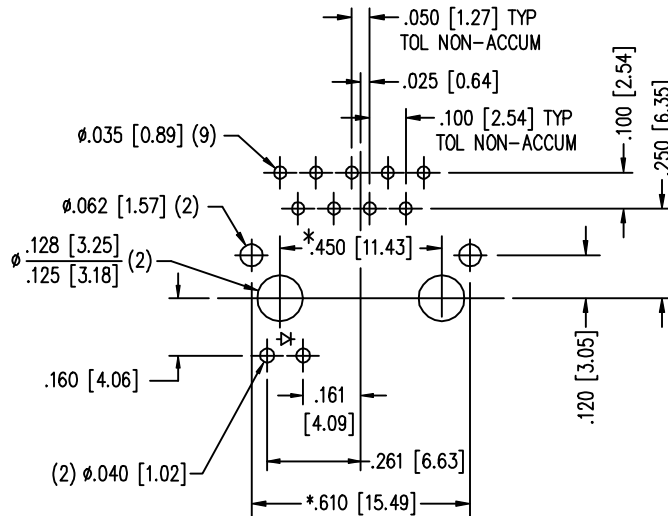
\* WITH A FORWARD CURRENT OF 20 mA

LED POLARITY  
 (ENLARGED VIEW)



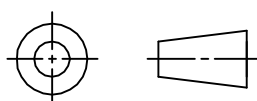
SINGLE COLOR LED

**FOR REFERENCE ONLY**



P.C.B. RECOMMENDED HOLE LAYOUT  
 SEEN FROM COMPONENT SIDE  
 TOLERANCE ±.003 [0.08] UNLESS OTHERWISE SPECIFIED

THIRD ANGLE PROJECTION



THIS DRAWING AND THE SUBJECT MATTER SHOWN THEREON ARE CONFIDENTIAL AND THE PROPRIETARY PROPERTY OF STEWART CONNECTOR SYSTEMS ("SCS") AND SHALL NOT BE REPRODUCED, COPIED OR USED IN ANY MANNER WITHOUT PRIOR WRITTEN CONSENT OF "SCS". THE SUBJECT MATTER MAY BE PATENTED OR A PATENT MAY BE PENDING. © SCS