

TITLE

INDUCTOR,
PQ3211,
2.00 μ H, 50 ADC

SCHOTT
CORPORATION

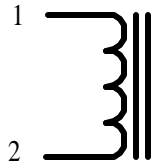
1000 PARKERS LAKE ROAD
WAYZATA, MN 55391

AGENCY APPROVAL:
N/A

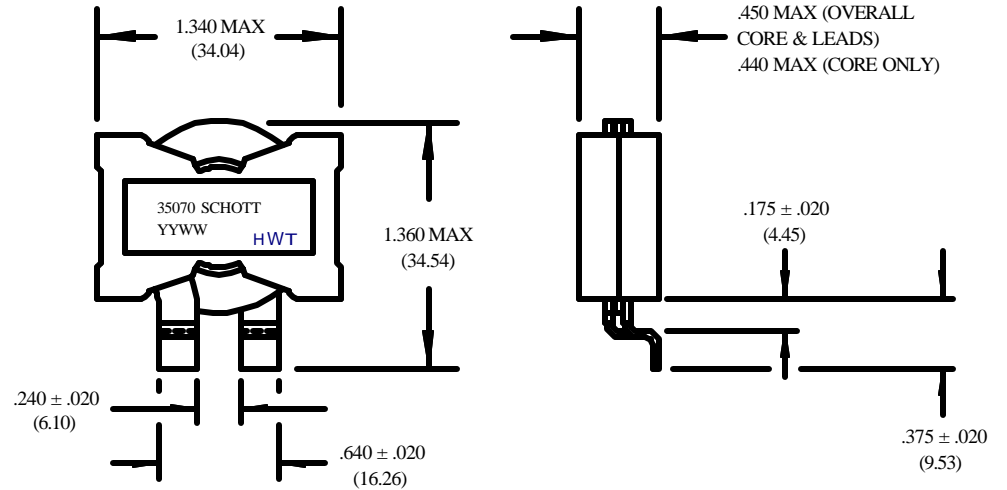
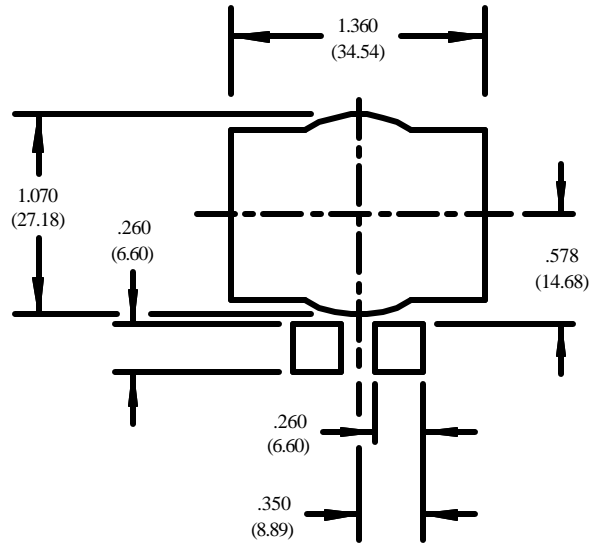
PART NUMBER **35070**
REV B PAGE 1 END

SPECIFICATIONS

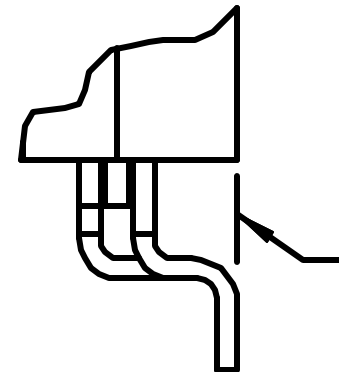
1. INDUCTANCE @ 0.01 V, 100 KHz: 1.80 - 2.00 μ H
2. DC RESISTANCE: 0.86 mOHM MAX
3. HIPOT (2 SECONDS, 5 mA MAX):
300 VRMS WINDING TO CORE.



SUGGESTED PCB
FOOTPRINT IN
(mm)



.450 MAX (OVERALL
CORE & LEADS)
.440 MAX (CORE ONLY)



LEAD SURFACE
COPLANAR
WITHIN .005 (.127)

TOLERANCES	2 PLACE	3 PLACE	ANGLE
UNLESS OTHERWISE NOTED	± REF	± REF	± °