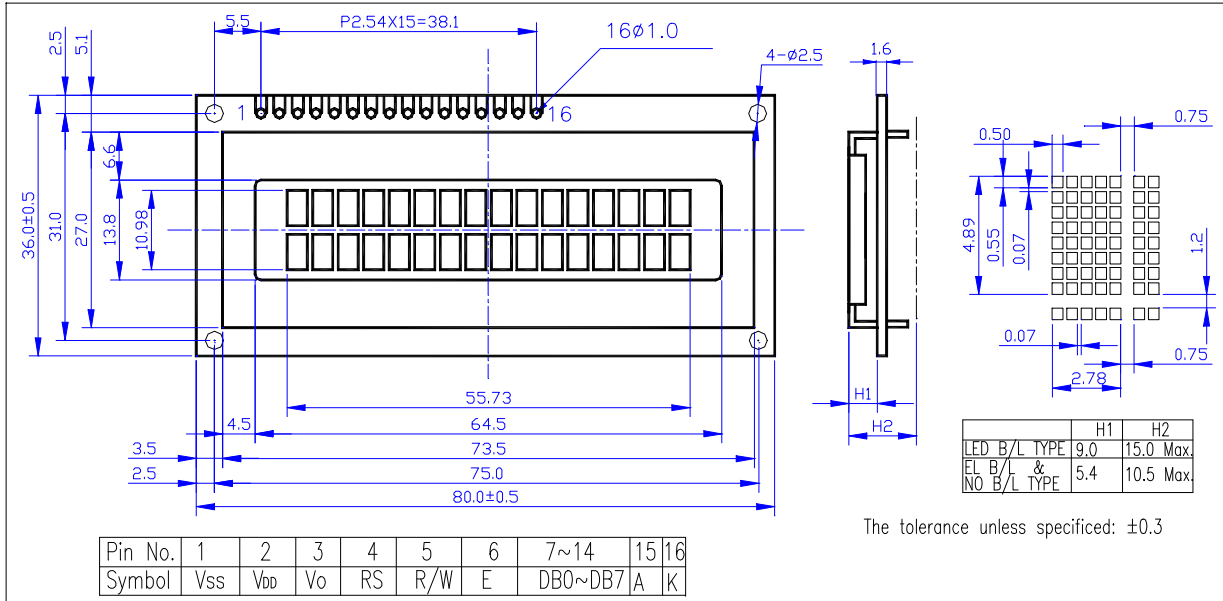


GTC-16022

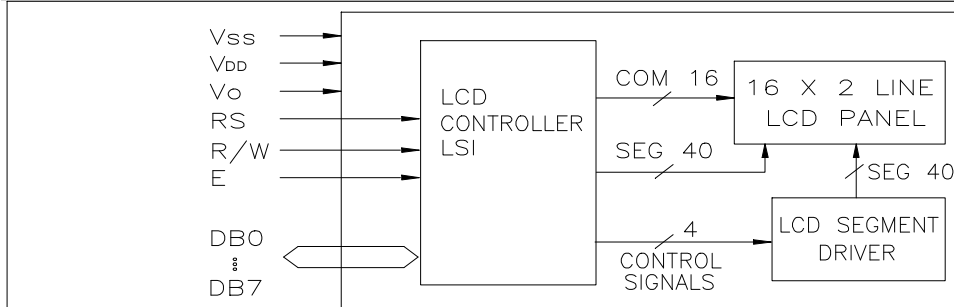
1/16 DUTY, 1/5 BIAS

(16 characters × 2 line)

1. DIMENSIONAL OUTLINE



2. BLOCK DIAGRAM



3. MECHANICAL SPECIFICATIONS

ITEM	SPECIFICATIONS	UNIT	REMARK	
DIMENSIONAL OUTLINE	80.0(W) × 36.0(H) × 10.5/15.0MAX.(T)	mm	*REFERENCE DIMENSIONAL OUTLINE	
VIEWING AREA	64.5(W) × 13.8(H)			
CHARACTER PITCH	3.53(W) × 6.09(H)			
CHARACTER SIZE	2.78(W) × 4.89(H)			
NUMBER OF CHARACTERS	16 CHARACTERS × 2 LINES			-
DOT PITCH	0.57(W) × 0.62(H)			mm
DOT SIZE	0.50(W) × 0.55(H)	mm		

4. ELECTRICAL CHARACTERISTICS (Ta=25°C, V_{DD}=5.0V ± 0.25V)

ITEM	SYMBOL	CONDITION	MIN	TYPE	MAX.	UNIT
INPUT HIGH VOLTAGE	V _{IH}	-	2.2V	-	V _{DD}	V
INPUT LOW VOLTAGE	V _{IL}	-	-0.3	-	0.6	V
OUTPUT HIGH VOLTAGE	V _{OH}	-I _{OH} =0.1mA	2.4	-	-	
OUTPUT LOW VOLTAGE	V _{OL}	I _{OL} =0.1mA	-	-	0.4	
SUPPLY CURRENT	I _{DD}	V _{DD} =5.0V	-	2.0	3.0	mA
OPERATING VOLTAGE FOR LCD	V _{DD} -V _O	Ta=25°C	STN	-	5.0	V
		TN	-	4.5	-	V