

SPECIFICATIONS

Header Connector

Mechanical

Contact Retention Force: 1.36Kgf min. Per Pin

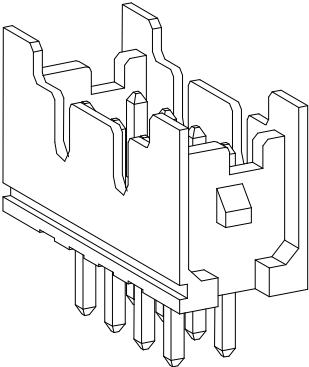
**HD57 Series
Header, T/H Type
Plug
2.00mm [.079"] Pitch**

Electrical

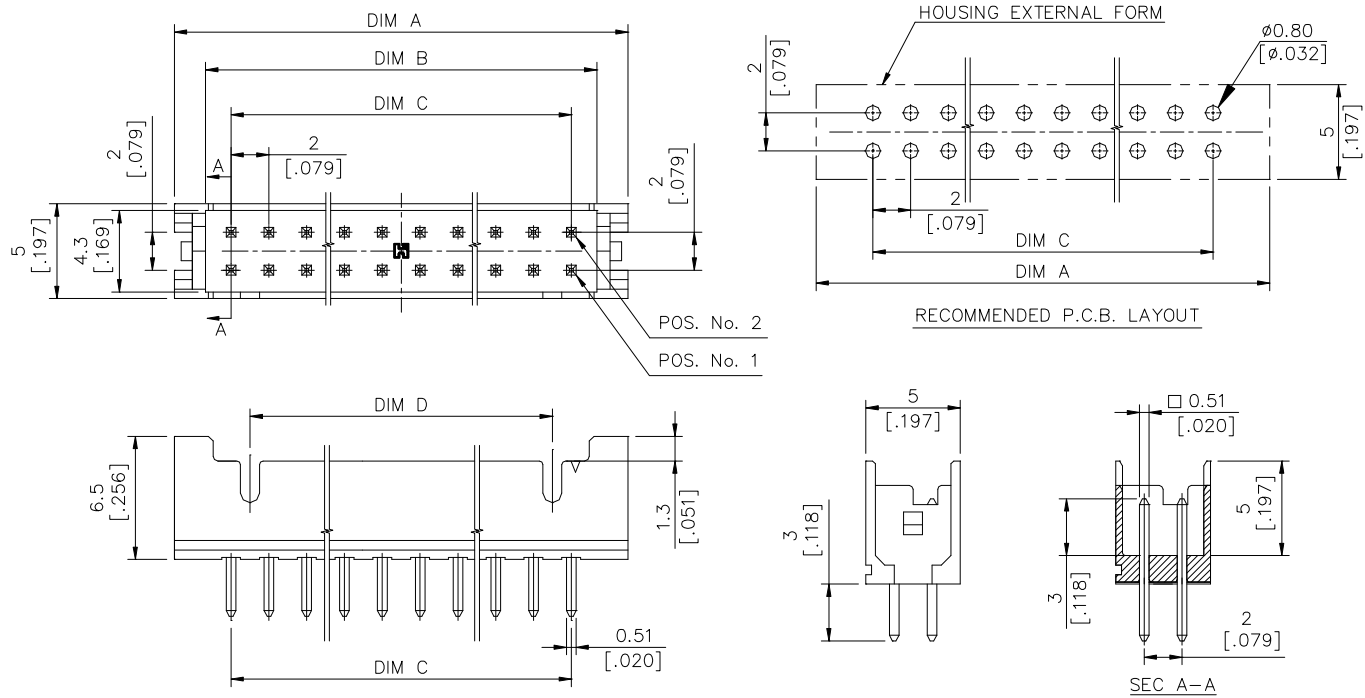
Voltage Rating: 250V
Current Rating: 3.0A max. per pin
Dielectric Withstanding Voltage: 750V AC
Insulation Resistance: 1000MΩ min.

Physical

Housing: LCP, UL 94V-0
Contact: BRASS
Plating: See "ODERING INFORMATION"
Operating Temperature: -40°C to +105°C



DRAWING



ORDERING INFORMATION

PRODUCT No: HD 57 *** - *** - **

- NO. Of Pos. →
- 02=02 POS.
- 20=40 POS.
- Contact Area Plating →
- 0 = TIN PLATING
- Housing Color →
- A: NATURE
- B: BLACK
- RoHS Code →
- F = RoHS PRODUCT
- Package Type →
- E = BAG
- PIN Removed →
- C0: FULL PIN
- C1: 1st REMOVED
- C2: 2nd REMOVED
- Post Type →
- 1: WITH PLASTIC POST
- 2: WITHOUT POST

HD5710*-*-*-*	10/20	24.00	20.70	18.00	16.00
HD5709*-*-*-*	9/18	22.00	18.70	16.00	14.00
HD5708*-*-*-*	8/16	20.00	16.70	14.00	12.00
HD5707*-*-*-*	7/14	18.00	14.70	12.00	10.00
HD5706*-*-*-*	6/12	16.00	12.70	10.00	8.00
HD5705*-*-*-*	5/10	14.00	10.70	8.00	6.00
HD5704*-*-*-*	4/8	12.00	8.70	6.00	4.00
PART NO.	NO. OF POS.	DIM. A	DIM. B	DIM. C	DIM. D

All specification & dimensions are subject to change, please call your nearest Foxconn sales representative for update information.