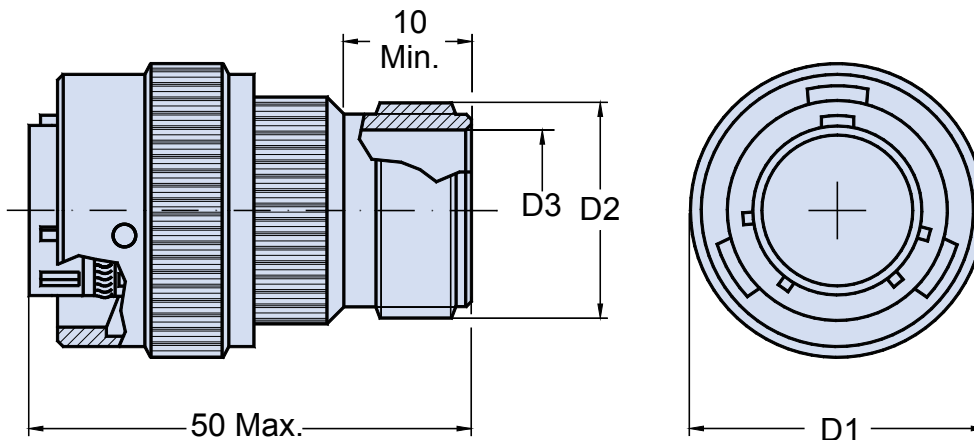
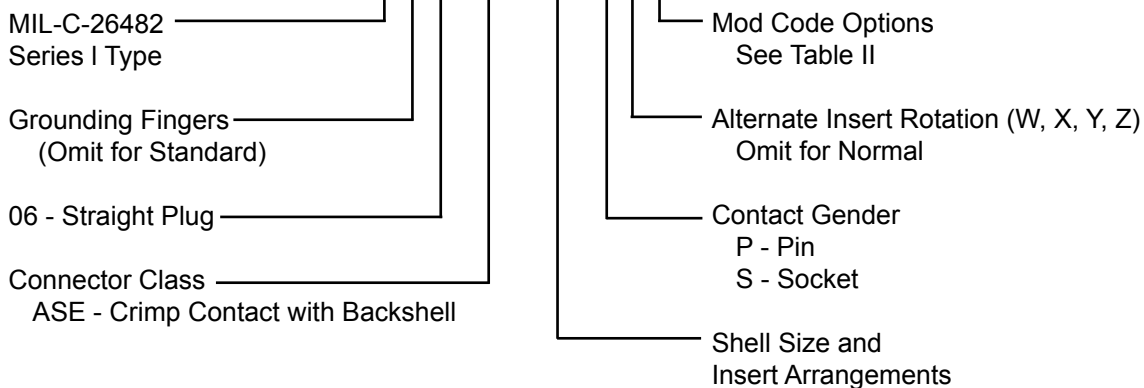




IPT 06 ASE
Straight Plug Connector
 with Backshell to Accommodate
 MS3057 Cable Clamp (Not Included)

IPT G 06 ASE 18-11 S Z XX



APPLICATION NOTES

1. Straight plug with backshell for attachment of cable clamp MS3057-A/B/C (not included).
2. Connector Class "ASE" (non-environmental)—wire sealing grommet supplied.
3. Standard materials configuration consists of aluminum alloy with stainless steel coupling pins.
4. Standard contact material consists of copper alloy with gold plating over nickel.
5. A broad range of other front and rear connector accessories are available. See our website and/or contact factory for complete information.
6. Standard insert is high insulation synthetic rubber.