



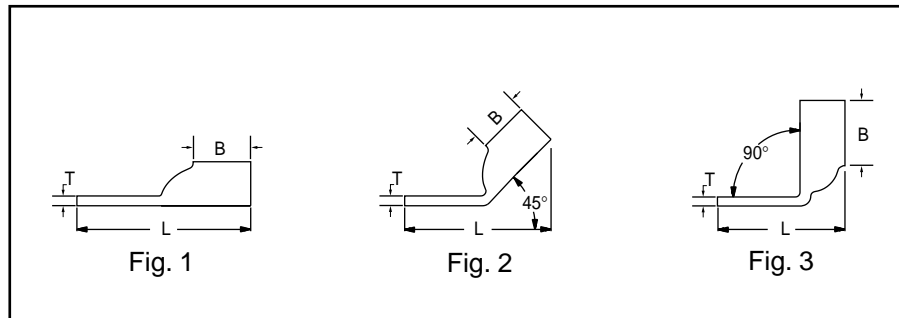
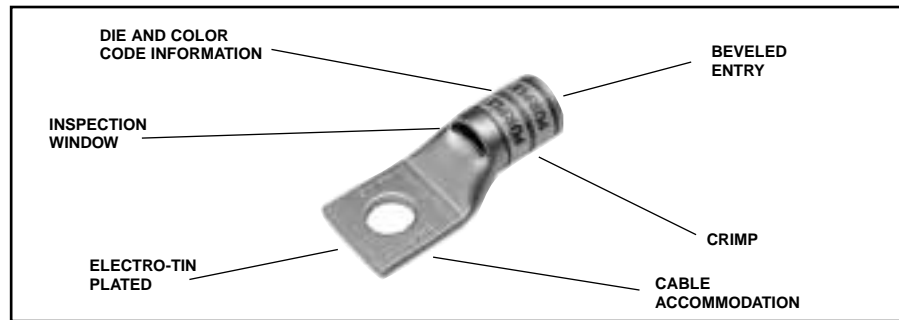
ONE HOLE HYLUG™ FLEX CONDUCTOR STANDARD BARREL

TYPES YA-L, YA-L-FX, YAV,
YAV-L-FX

C-22

COPPER COMPRESSION TERMINAL

UL LISTED 90° C,
600 VOLT TO 35 KV ◆



Catalog Number	Fig #	Conductor		Stud Hole Size	Tongue Width	Figure Dimensions			Dieless (# of crimps)	▲ Installation Tooling				Wire Strip Length		
		AWG	MM ²			(B)	(T)	(L)		Mechanical		Hydraulic			Color Code	Die Index
										MD6, OUR840 MD7-34R	BCT500HS Y500CTHS	Y35, Y39, Y750 Y46, BAT35, BAT750				
YA8CL-BOX	1	#8 Weld	10	8-10	.41"	.44"	.08"	1.16"	Y1MR (1) Y8MRB-1 Y2MR (1) MY29-11 (1)	W8CVT (1) W8CRT (1) X8CRT (1)	W8CVT (1) W8CRT (1) X8CRT (1)	UCRT (1)	Red	49	7/16"	
YA8CL-45	2							1.16"								
YA8CL-90	3							.71"								
YA8C-L1-BOX	1			1/4"	.44"	.44"	.08"	1.26"								
YA8C-L1-45	2							1.24"								
YA8C-L1-90	3							.80"								
YA8C-L2-BOX	1			5/16"	.52"	.44"	.08"	1.38"								
YA8C-L2-45	2							1.34"								
YA8C-L2-90	3							.92"								
YA8C-L3-BOX	1			3/8"	.58"	.44"	.08"	1.51"								
YA8C-L3-45	2							1.45"								
YA8C-L3-90	3							1.04"								
YA8C-L4-BOX	1			1/2"	.71"	.44"	.08"	1.76"								
YA8C-L4-45	2							1.67"								
YA8C-L4-90	3							1.28"								
YAV6CL-TC10-FX	1			#6 WELD	16	8-10	.48"	.50"								.08"
YAV6CL-TC10-FX-45	2	1.26"														
YAV6CL-TC10-FX-90	3	.76"														
YAV6CL-TC12-FX	1	1/2"	.75"			.50"	.12"	1.86"								
YAV6CL-TC12-FX-45	2							1.92"								
YAV6CL-TC12-FX-90	3							1.34"								
YAV6CL-TC14-FX	1	1/4"	.48"			.50"	.08"	1.43"								
YAV6CL-TC14-FX-45	2							1.39"								
YAV6CL-TC14-FX-90	3							.88"								
YAV6CL-TC38-FX	1	3/8"	.60"			.50"	.06"	1.61"								
YAV6CL-TC38-FX-45	2							1.54"								
YAV6CL-TC38-FX-90	3							1.06"								
YAV6CL-TC516-FX	1	5/16"	.60"			.50"	0.07"	1.49"								
YAV6CL-TC516-FX-45	2							1.44"								
YAV6CL-TC516-FX-90	3							.94"								

* Use P-UADP-1 adapter with "U" dies in Y46 HYPRESS™.

** The MM² conductor size listed is for both Class 2 and Class 5 conductors.

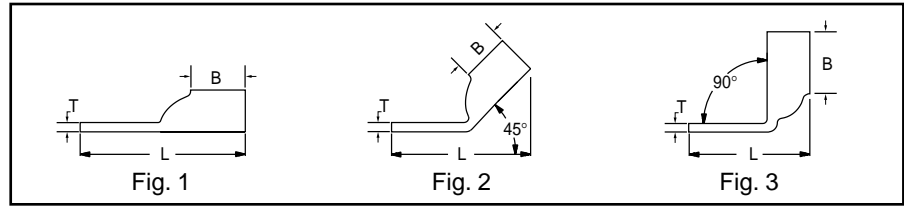
*** The MM² conductor sizes listed are the recommendations for Class 5 conductor.

▲ See tooling section of this catalog for complete tool and die listings. Use ONLY color-coded die recommendations for "-FX" connectors. For nest/indenter system contact factory.

◆ For applications greater than 2000 Volts consult cable manufacturer for voltage stress relief instructions.



ONE HOLE HYLUG™ FLEX CONDUCTOR STANDARD BARREL (CONTINUED)



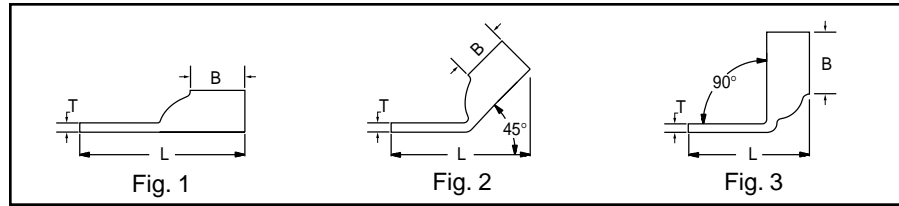
Catalog Number	Fig #	Conductor		Stud Hole Size	Tongue Width	Figure Dimensions			▲ Installation Tooling					Wire Strip Length		
		AWG	MM ²			(B)	(T)	(L)	Dieless (# of crimps)	Mechanical	Hydraulic		Color Code		Die Index	
										MD6, OUR840 MD7-34R	BCT500HS Y500CTHS	Y35, Y39, Y750 Y46, BAT35, BAT750				
YAV6CL-TC34-FX	1	61/24						2.30"	Y2MR (1)							
YAV6CL-TC34-FX-45	2	#6 WELD	**	3/4"	1.05"	.50"	.13"	2.39"	MY29-11 (1)	W5CVT (1)	X5CRT (1)	U5CRT (1)	Blue	7	1/2"	
YAV6CL-TC34-FX-90	3	#6 AWG	16					1.78"	Y644M (1)							
YAV4CL-TC10-FX	1							1.32"								
YAV4CL-TC10-FX-45	2			10-8	.55"	.50"	.09"	1.30"								
YAV4CL-TC10-FX-90	3							.79"								
YAV4CL-TC12-FX	1							1.92"								
YAV4CL-TC12-FX-45	2	91/24		1/2"	.71"	.50"	.07"	1.84"								
YAV4CL-TC12-FX-90	3							1.34"								
YAV4CL-TC14-FX	1	105/24						1.44"								
YAV4CL-TC14-FX-45	2							1.43"		W4CVT (1)	W4CVT (1)					
YAV4CL-TC14-FX-90	3	#4 WELD	-	1/4"	.55"	.50"	.09"	.92"	Y1MR (2)	W4CRT (1)	W4CRT (1)	U4CRT (1)	Gray	8	1/2"	
YAV4CL-TC38-FX	1							1.67"	Y2MR (2)	X4CRT (1)	X4CRT (1)					
YAV4CL-TC38-FX-45	2	#4 AWG		3/8"	.58"	.50"	.08"	1.63"	MY29-11 (1)							
YAV4CL-TC38-FX-90	3							1.10"	Y644M (1)							
YAV4CL-TC516-FX	1							1.51"								
YAV4CL-TC516-FX-45	2			5/16"	.55"	.50"	.09"	1.49"								
YAV4CL-TC516-FX-90	3							.98"								
YAV2CL-TC10-FX	1			# 10	.68"	.63"	.10"	1.50"								
YAV2CL-TC10-FX-45	1							1.46"								
YAV2CL-TC10-FX-90	1							.84"								
YAV2CL-TC12-FX	1	125/24						2.12"								
YAV2CL-TC12-FX-45	1			1/2"	.77"	.63"	0.09	2.03"								
YAV2CL-TC12-FX-90	1							1.40"								
YAV2CL-TC14-FX	1	150/24						1.62"		W2CVT (1)	W2CVT (1)					
YAV2CL-TC14-FX-45	2							1.58"		W2CRT (1)	W2CRT (1)	U2CRT (1)	Brown	10	11/16"	
YAV2CL-TC14-FX-90	3	#2 WELD	35	1/4"	.68"	.63"	.10"	.97"		X2CRT (1)	X2CRT (1)					
YAV2CL-TC38-FX	1							1.81"								
YAV2CL-TC38-FX-45	2	#2 AWG		3/8"	.68"	.63"	.10"	1.77"								
YAV2CL-TC38-FX-90	3							1.15"								
YAV2CL-TC516-FX	1							1.69"								
YAV2CL-TC516-FX-45	2			5/16"	.68"	.63"	.10"	1.65"								
YAV2CL-TC516-FX-90	3							1.03"								
YAV1CL-TC10-FX	1							1.59"								
YAV1CL-TC10-FX-45	2			# 10	.75"	.69"	.12"	1.56"								
YAV1CL-TC10-FX-90	3							.88"								
YAV1CL-TC12-FX	3							2.15"								
YAV1CL-TC12-FX-45	2	175/24		1/2"	.75"	.69"	.12"	2.12"								
YAV1CL-TC12-FX-90	3							1.44"								
YAV1CL-TC14-FX	2	225/24						1.71"		W1CVT (1)	W1CVT (1)					
YAV1CL-TC14-FX-45	3							1.69"		W1CRT-1 (1)	W1CRT-1 (1)	U1CRT (1)	Green	11	11/16"	
YAV1CL-TC14-FX-90	3	#1 WELD	-	1/4"	.75"	.69"	.12"	1.00"	MY29-11 (1)	X1CRT-1 (1)	X1CRT-1 (1)					
YAV1CL-TC38-FX	1							1.90"	Y644M (1)							
YAV1CL-TC38-FX-45	2	#1 AWG		3/8"	.75"	.69"	.12"	1.87"								
YAV1CL-TC38-FX-90	3							1.19"								
YAV1CL-TC516-FX	1							1.78"								
YAV1CL-TC516-FX-45	2			5/16"	.75"	.69"	.12"	1.75"								
YAV1CL-TC516-FX-90	3							1.07"								

C-23

* Use P-UADP-1 adapter with "U" dies in Y46 HYPRESS™
 ** The 16 MM² is for both Class 2 and Class 5 conductors.
 *** The MM² conductor sizes listed are the recommendations for Class 5 conductor.
 ▲ See tooling section of this catalog for complete tool and die listings. Use ONLY color-coded die recommendations for "-FX" connectors. For nest/indenter system contact factory.
 ◆ For applications greater than 2000 Volts consult cable manufacturer for voltage stress relief instructions.



ONE HOLE HYLUG™ FLEX CONDUCTOR STANDARD BARREL (CONTINUED)



C-24

Catalog Number	Fig #	Conductor		Stud Hole Size	Tongue Width	Figure Dimensions			▲ Installation Tooling					Wire Strip Length				
		AWG	MM ²			(B)	(T)	(L)	Dieless (# of crimps)	Mechanical	Hydraulic		Color Code		Die Index			
										MD6, OUR840 MD7-34R	BCT500HS Y500CTHS	Y35, Y39, Y750 Y46, BAT35, BAT750						
YAV25L-TC12-FX	1	275/24	50	1/2"	.83"	.69"	.12"	2.19"	W25VT (2) W25RT (2) X25RT (2)	W25VT (2) W25RT (2) X25RT (2)	U25RT (1)	Pink	12	11/16"				
YAV25L-TC12-FX-45	2							2.15"										
YAV25L-TC12-FX-90	3							1.47"										
YAV25L-TC14-FX	1							1/4"							.83"	.69"	.12"	1.75"
YAV25L-TC14-FX-45	2																	1.71"
YAV25L-TC14-FX-90	3																	1.03"
YAV25L-TC38-FX	1			3/8"	.83"	.69"	.12"											1.94"
YAV25L-TC38-FX-45	2																	1.90"
YAV25L-TC38-FX-90	3																	1.22"
YAV25L-TC516-FX	1							5/16"							.83"	.69"	.12"	1.81"
YAV25L-TC516-FX-45	2																	1.77"
YAV25L-TC516-FX-90	3																	1.09"
YAV26L-TC10-FX	1	325/24	70	# 10	.93"	.81"	.13"		1.80"	W26VT (2) W26RT (2) X26RT (2)	W26VT (2) W26RT (2) X26RT (2)	U26RT (1)	Black	13				13/16"
YAV26L-TC10-FX-45	2								1.73"									
YAV26L-TC10-FX-90	3								.94"									
YAV26L-TC12-FX	1							1/2"	.93"						.81"	.13"	2.36"	
YAV26L-TC12-FX-45	2																2.29"	
YAV26L-TC12-FX-90	3																1.51"	
YAV26L-TC14-FX	1			1/4"	.93"	.81"	.13"										1.92"	
YAV26L-TC14-FX-45	2																1.85"	
YAV26L-TC14-FX-90	3																1.07"	
YAV26L-TC34-FX	1							3/4"	1.10"						.81"	.11"	2.89"	
YAV26L-TC34-FX-45	2																2.75"	
YAV26L-TC34-FX-90	3																1.93"	
YAV26L-TC38-FX	1	3/8"	.93"	.81"	.13"	2.11"												
YAV26L-TC38-FX-45	2					2.04"												
YAV26L-TC38-FX-90	3					1.26"												
YAV26L-TC516-FX	1					5/16"	.93"	.81"	.13"	1.98"								
YAV26L-TC516-FX-45	2									1.92"								
YAV26L-TC516-FX-90	3									1.13"								
YAV26L-TC58-FX	1	5/8"	.93"	.81"	.13"					2.61"								
YAV26L-TC58-FX-45	1									2.54"								
YAV26L-TC58-FX-90	1									1.76"								
YAV27L-TC10-FX	1					450/24	95	# 10	1.03"	1.00"	.14"	2.03"	W27VT (2) W27RT (2) X27RT (3)	W27VT (2) W27RT (2) X27RT (3)	U27RT (1)	Orange	14	1"
YAV27L-TC10-FX-45	2											1.91"						
YAV27L-TC10-FX-90	3											.98"						
YAV27L-TC12-FX	1	1/2"	1.03"	1.00"	.14"							2.59"						
YAV27L-TC12-FX-45	2											2.47"						
YAV27L-TC12-FX-90	3											1.54"						
YAV27L-TC14-FX	1							3/0 WELD	1.03"	1.00"	.14"	2.15"						
YAV27L-TC14-FX-45	2											2.04"						
YAV27L-TC14-FX-90	3											1.10"						
YAV27L-TC38-FX	1	3/8"	1.03"	1.00"	.14"							2.34"						
YAV27L-TC38-FX-45	2											2.22"						
YAV27L-TC38-FX-90	3											1.29"						
YAV27L-TC516-FX	1					5/16"	1.03"	1.00"	.14"	2.21"								
YAV27L-TC516-FX-45	2									2.10"								
YAV27L-TC516-FX-90	3									1.17"								

* Use P-UADP-1 adapter with "U" dies in Y46 HYPRESS™

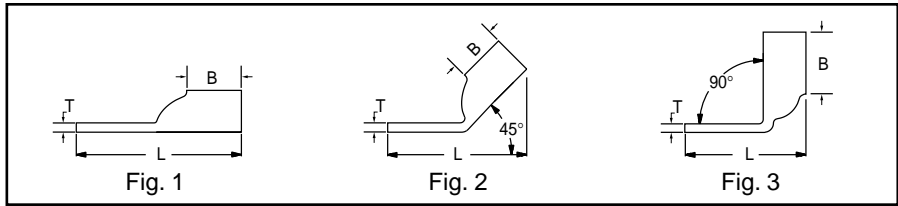
*** The MM² conductor sizes listed are the recommendations for Class 5 conductor.

▲ See tooling section of this catalog for complete tool and die listings. Use ONLY color-coded die recommendations for "-FX" connectors. For nest/indenter system contact factory.

◆ For applications greater than 2000 Volts consult cable manufacturer for voltage stress relief instructions.



ONE HOLE HYLUG™ FLEX CONDUCTOR STANDARD BARREL (CONTINUED)



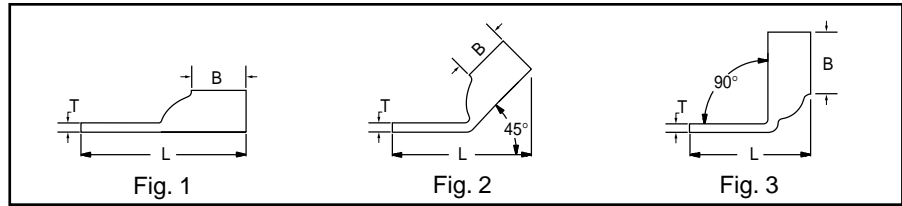
Catalog Number	Fig #	Conductor		Stud Hole Size	Tongue Width	Figure Dimensions			▲ Installation Tooling						
		AWG	MM ²			(B)	(T)	(L)	Dieless (# of crimps)	Mechanical MD6, OUR840 MD7-34R	Hydraulic BCT500HS Y500CTHS	Y35, Y39, Y750 Y46, BAT35, BAT750	Color Code	Die Index	Wire Strip Length
YAV28L-TC12-FX	1	4/0 WELD 4/0 AWG	** 120	1/2"	1.14"	1.03"	0.15	2.67"	MY29-11 (1) Y644M (1)	W28VT (2) W28RT (2) X28RT (2)	W28VT (2) W28RT (2) X28RT (3)	U28RT (1)	Purple	15	1-1/16"
YAV28L-TC12-FX-45	2							254"							
YAV28L-TC12-FX-90	3							1.58"							
YAV28L-TC14-FX	1			1/4"	1.14"	1.03"	.15"	2.23"							
YAV28L-TC14-FX-45	2							2.11"							
YAV28L-TC14-FX-90	3							1.14"							
YAV28L-TC34-FX	1			3/4"	1.14"	1.03"	.15"	3.11"							
YAV28L-TC34-FX-45	2							2.98"							
YAV28L-TC34-FX-90	3							2.02"							
YAV28L-TC38-FX	1			3/8"	1.14"	1.03"	.15"	2.42"							
YAV28L-TC38-FX-45	2							2.29"							
YAV28L-TC38-FX-90	3							1.33"							
YAV28L-TC516-FX	2			5/16"	1.14"	1.03"	.15"	2.29"							
YAV28L-TC516-FX-45	2							2.17"							
YAV28L-TC516-FX-90	3							1.21"							
YAV28L-TC58-FX	1			5/8"	1.14"	1.03"	.15"	2.92"							
YAV28L-TC58-FX-45	2							2.79"							
YAV28L-TC58-FX-90	3							1.83"							
YAV29L-TC12-FX	1	4/0 WELD	-	1/2"	1.14"	1.03"	.16"	2.67"	Y644M (1)	W29VT (2) X29RT (4)	W29VT (2) W29RT (2) X29RT (4)	U29RT (1)	Yellow	16	1-1/16"
YAV29L-TC12-FX-45	2							254"							
YAV29L-TC12-FX-90	3							1.58"							
YAV29L-TC14-FX	1			1/4"	1.14"	1.03"	.16"	2.23"							
YAV29L-TC14-FX-45	2							2.11"							
YAV29L-TC14-FX-90	3							1.14"							
YAV29L-TC34-FX	1			3/4"	1.14"	1.03"	.16"	3.11"							
YAV29L-TC34-FX-45	2							2.98"							
YAV29L-TC34-FX-90	3							2.02"							
YAV29L-TC38-FX	1			3/8"	1.14"	1.03"	.16"	2.42"							
YAV29L-TC38-FX-45	2							2.29"							
YAV29L-TC38-FX-90	3							1.33"							
YAV29L-TC516-FX	2			5/16"	1.14"	1.03"	.16"	2.29"							
YAV29L-TC516-FX-45	2							2.17"							
YAV29L-TC516-FX-90	3							1.21"							
YAV29L-TC58-FX	1			5/8"	1.14"	1.03"	.16"	2.92"							
YAV29L-TC58-FX-45	2							2.79"							
YAV29L-TC58-FX-90	3							1.83"							
YA30L-TC516-FX	1	250 FLEX	-	5/16"	1.20"	1.03"	.16"	2.31"	-	-	-	-	-	-	-
YA30L-TC516-FX-45	2							2.22"							
YA30L-TC516-FX-90	3							1.24"							
YA30L-TC38-FX	1	CLASS G 259 STR.	-	3/8"	1.20"	1.03"	.16"	2.44"							
YA30L-TC38-FX-45	2							2.35"							
YA30L-TC38-FX-90	3							1.36"							
YA30L-TC12-FX	1	CLASS H 427 STR.	-	1/2"	1.20"	1.03"	.16"	2.69"							
YA30L-TC12-FX-45	2							2.60"							
YA30L-TC12-FX-90	3							1.61"							
YA30L-TC58-FX	1	5/8"	1.20"	1.03"	.16"	-	-	2.94"							
YA30L-TC58-FX-45	2							2.85"							
YA30L-TC58-FX-90	3							1.86"							

C-25

* Use P-UADP-1 adapter with "U" dies in Y46 HYPRESS™
 ** The 120 MM² referenced here is for both Class 2 and Class 5.
 *** The MM² conductor sizes listed are the recommendations for Class 5 conductor.
 ▲ See tooling section of this catalog for complete tool and die listings. Use ONLY color-coded die recommendations for "-FX" connectors. For nest/indentor system contact factory.
 ◆ For applications greater than 2000 Volts consult cable manufacturer for voltage stress relief instructions.



ONE HOLE HYLUG™ FLEX CONDUCTOR STANDARD BARREL (CONTINUED)



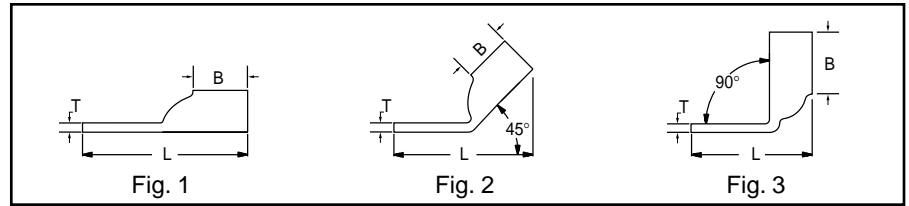
C-26

Catalog Number	Fig #	Conductor		Stud Hole Size	Tongue Width	Figure Dimensions			▲ Installation Tooling					Wire Strip Length		
		AWG	*** MM ²			(B)	(T)	(L)	Dieless (# of crimps)	Mechanical		Hydraulic			Color Code	Die Index
										MD6, OUR840 MD7-34R	BCT500HS Y500CTHS	Y35, Y39, Y750 Y46, BAT35, BAT750				
YA30L-TC34-FX	1	250 FLEX	-	3/4"	1.20"	1.03"	.16"	3.12"	Y644M (1)	W29VT (2) X29RT (4)	X29RT (4) W29VT (2) W29RT (2)	U29RT (1)	Yellow	16	1-1/16"	
YA30L-TC34-FX-45	2	CLASS G 259 STR.						3.04"								
YA30L-TC34-FX-90	3	CLASS H 427 STR.						2.05"								
YA31L-TC14-FX	1	250 FLEX	-	1/4"	1.29"	1.06"	.18"	2.31"								
YA31L-TC14-FX-45	2							2.23"								
YA31L-TC14-FX-90	3							1.19"								
YA31L-TC516-FX	1			5/16"	1.29"	1.06"	.18"	2.37"								
YA31L-TC516-FX-45	2							2.30"								
YA31L-TC516-FX-90	3							1.27"								
YA31L-TC38-FX	1			3/8"	1.29"	1.06"	.18"	2.50"								
YA31L-TC38-FX-45	2							2.42"								
YA31L-TC38-FX-90	3							1.40"								
YA31L-NT12-FX	1			637/24	150	1/2"	.96"	1.06"								.18"
YA31L-NT12-FX-45	2	2.67"														
YA31L-NT12-FX-90	3	1.65"														
YA31L-TC12-FX	1	CLASS I, K, M	-	1/2"	1.29"	1.06"	.18"	2.75"								
YA31L-TC12-FX-45	2							2.67"								
YA31L-TC12-FX-90	3							1.65"								
YA31L-TC58-FX	1	-	-	5/8"	1.29"	1.06"	.18"	3.00"								
YA31L-TC58-FX-45	2							2.92"								
YA31L-TC58-FX-90	3							1.90"								
YA31L-TC34-FX	1	-	-	3/4"	1.29"	1.06"	.18"	3.19"								
YA31L-TC34-FX-45	2							3.11"								
YA31L-TC34-FX-90	3							2.09"								
YA32L-TC38-FX	1	313.1 KCML	-	3/8"	1.40"	1.19"	.19"	2.68"								
YA32L-TC38-FX-45	2							2.58"								
YA32L-TC38-FX-90	3							1.45"								
YA32L-TC12-FX	1	775/24	185	1/2"	1.40"	1.19"	.19"	2.93"								
YA32L-TC12-FX-45	2							2.83"								
YA32L-TC12-FX-90	3							1.70"								
YA32L-TC58-FX	1	300 FLEX	-	5/8"	1.40"	1.19"	.19"	3.18"								
YA32L-TC58-FX-45	2							3.08"								
YA32L-TC58-FX-90	3							1.95"								
YA34L-TC516-FX	1	373.7 KCML	240	5/16"	1.55"	1.27"	.23"	2.74"								
YA34L-TC516-FX-45	2							2.68"								
YA34L-TC516-FX-90	3							1.41"								
YA34L-TC38-FX	1			925/24	-	3/8"	1.55"	1.27"	.23"	2.87"						
YA34L-TC38-FX-45	2									2.80"						
YA34L-TC38-FX-90	3									1.53"						
YA34L-TC12-FX	1			350 FLEX	-	1/2"	1.55"	1.27"	.23"	3.12"						
YA34L-TC12-FX-45	2									3.05"						
YA34L-TC12-FX-90	3									1.78"						
YA34L-TC58-FX	1			-	-	5/8"	1.55"	1.27"	.23"	3.37"						
YA34L-TC58-FX-45	2	3.30"														
YA34L-TC58-FX-90	3	2.03"														
YA36L-TC12-FX	1	444.4 KCML	-	1/2"	1.74"	1.38"	.27"	3.29"	-	-	U34RT (2)	Brown	20	1-3/8"		
YA36L-TC12-FX-45	2	450 FLEX						3.26"								
YA36L-TC12-FX-90	3							1.86"								

* Use P-UADP-1 adapter with "U" dies in Y46 HYPRESS™
 *** The MM² conductor sizes listed are the recommendations for Class 5 conductor.
 ▲ See tooling section of this catalog for complete tool and die listings. Use ONLY color-coded die recommendations for "-FX" connectors. For nest/indenter system contact factory.
 ♦ For applications greater than 2000 Volts consult cable manufacturer for voltage stress relief instructions.



ONE HOLE HYLUG™ FLEX CONDUCTOR STANDARD BARREL (CONTINUED)



Catalog Number	Fig #	Conductor		Stud Hole Size	Tongue Width	Figure Dimensions			▲ Installation Tooling						
		AWG	*** MM ²			(B)	(T)	(L)	Dieless (# of crimps)	Mechanical		Hydraulic		Color Code	Die Index
YA36L-TC58-FX	1	1100/24	-	5/8"	1.74"	1.38"	.27"	3.54"		Y644M (1)	-	-	U34RT (2)		
YA36L-TC58-FX-45	2							3.51"							
YA36L-TC58-FX-90	3							2.11"							
YA38L-TC12-FX	1	535.3 KCMIL	300	1/2"	1.84"	1.45"	.27"	3.41"	-	-	U38XRT (2)	Pink	L99	1-7/16"	
YA38L-TC12-FX-45	2							3.35"							
YA38L-TC12-FX-90	3							1.90"							
YA38L-TC58-FX	1	1325/24	300	5/8"	1.84"	1.45"	.27"	3.66"	-	-	U38XRT (2)	Pink	L99	1-7/16"	
YA38L-TC58-FX-45	2							3.60"							
YA38L-TC58-FX-90	3							2.15"							
YA38L-TC516-FX	1	500 FLEX	300	5/16"	1.84"	1.45"	.27"	3.03"	-	-	U38XRT (2)	Pink	L99	1-7/16"	
YA38L-TC516-FX-45	2							2.97"							
YA38L-TC516-FX-90	3							1.52"							
YA38L-TC38-FX	1	500 FLEX	300	3/8"	1.84"	1.45"	.27"	3.34"	-	-	U38XRT (2)	Pink	L99	1-7/16"	
YA38L-TC38-FX-45	2							3.29"							
YA38L-TC38-FX-90	3							1.83"							
YA40L-TC516-FX	1	646 KCMIL	400	5/16"	1.98"	1.42"	.30"	3.05"	Y644M (1)	-	-	U39RT (2)	Black	24	1-5/16"
YA40L-TC516-FX-45	2							3.06"							
YA40L-TC516-FX-90	3							1.59"							
YA40L-TC38-FX	1	646 KCMIL	400	3/8"	1.98"	1.42"	.30"	3.38"	-	-	U39RT (2)	Black	24	1-5/16"	
YA40L-TC38-FX-45	2							3.38"							
YA40L-TC38-FX-90	3							1.91"							
YA40L-TC12-FX	1	1600/24	400	1/2"	1.98"	1.42"	.30"	3.43"	-	-	U39RT (2)	Black	24	1-5/16"	
YA40L-TC12-FX-45	2							3.44"							
YA40L-TC12-FX-90	3							1.96"							
YA40L-TC58-FX	1	1600/24	400	5/8"	1.98"	1.42"	.30"	3.68"	-	-	U39RT (2)	Black	24	1-5/16"	
YA40L-TC58-FX-45	2							3.69"							
YA40L-TC58-FX-90	3							2.21"							
YA44L-TC12-FX	1	777.7 KCMIL	500	1/2"	2.19"	1.65"	.33"	3.79"	-	-	U44XRT (2)	Yellow	L115	1-5/8"	
YA44L-TC12-FX-45	2							3.76"							
YA44L-TC12-FX-90	3							2.07"							
YA44L-TC58-FX	1	1925/24	500	5/8"	2.19"	1.65"	.33"	4.04"	-	-	U44XRT (2)	Yellow	L115	1-5/8"	
YA44L-TC58-FX-45	2							4.01"							
YA44L-TC58-FX-90	3							2.32"							

C-27

* Use P-UADP-1 adapter with "U" dies in Y46 HYPRESS™
 *** The MM² conductor sizes listed are the recommendations for Class 5 conductor.
 ▲ See tooling section of this catalog for complete tool and die listings. Use ONLY color-coded die recommendations for "-FX" connectors. For nest/indenter system contact factory.
 ◆ For applications greater than 2000 Volts consult cable manufacturer for voltage stress relief instructions.