

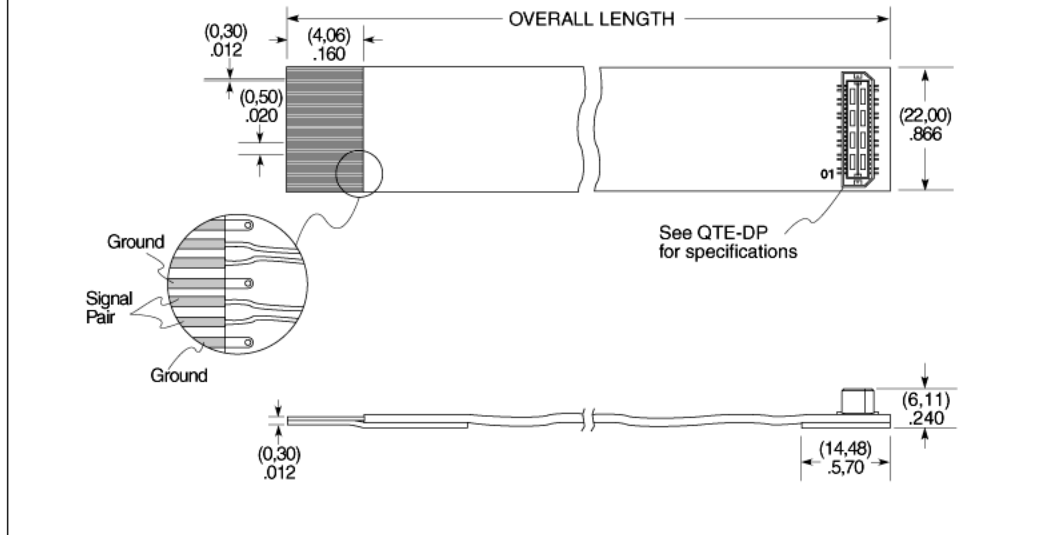
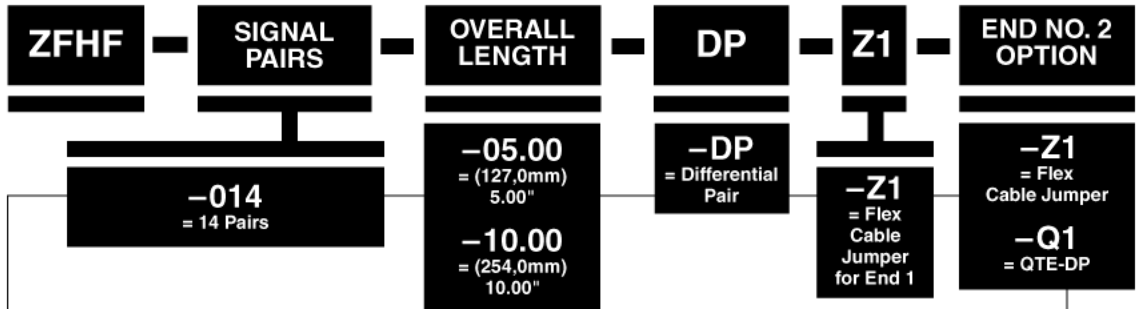
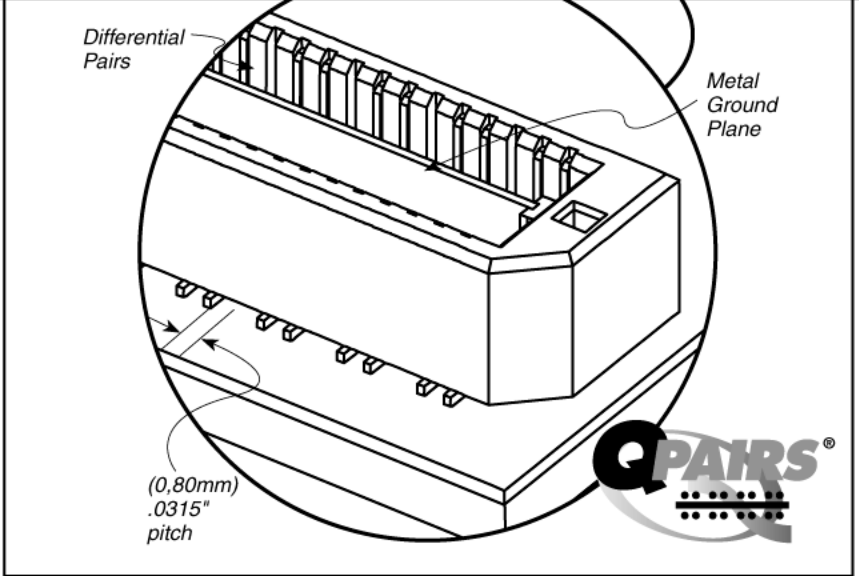
# 0,8mm HI-SPEED DATA LINK ZFHF SERIES

## SPECIFICATIONS

For complete specifications see [www.samtec.com?ZFHF](http://www.samtec.com?ZFHF)

- Terminal:** QTE-DP Series
- Cable:** 1/2 oz. rolled annealed copper
- Adhesive:** FR (DuPont)
- Stiffener:** FR-4 glass epoxy
- Flammability Rating:** UL V-0

Mates with:  
QSE-DP, ZF5



**Note:** Some sizes, styles and options are non-standard, non-returnable.

*Due to technical progress, all designs, specifications and components are subject to change without notice.*

**WWW.SAMTEC.COM**