

PART NAME

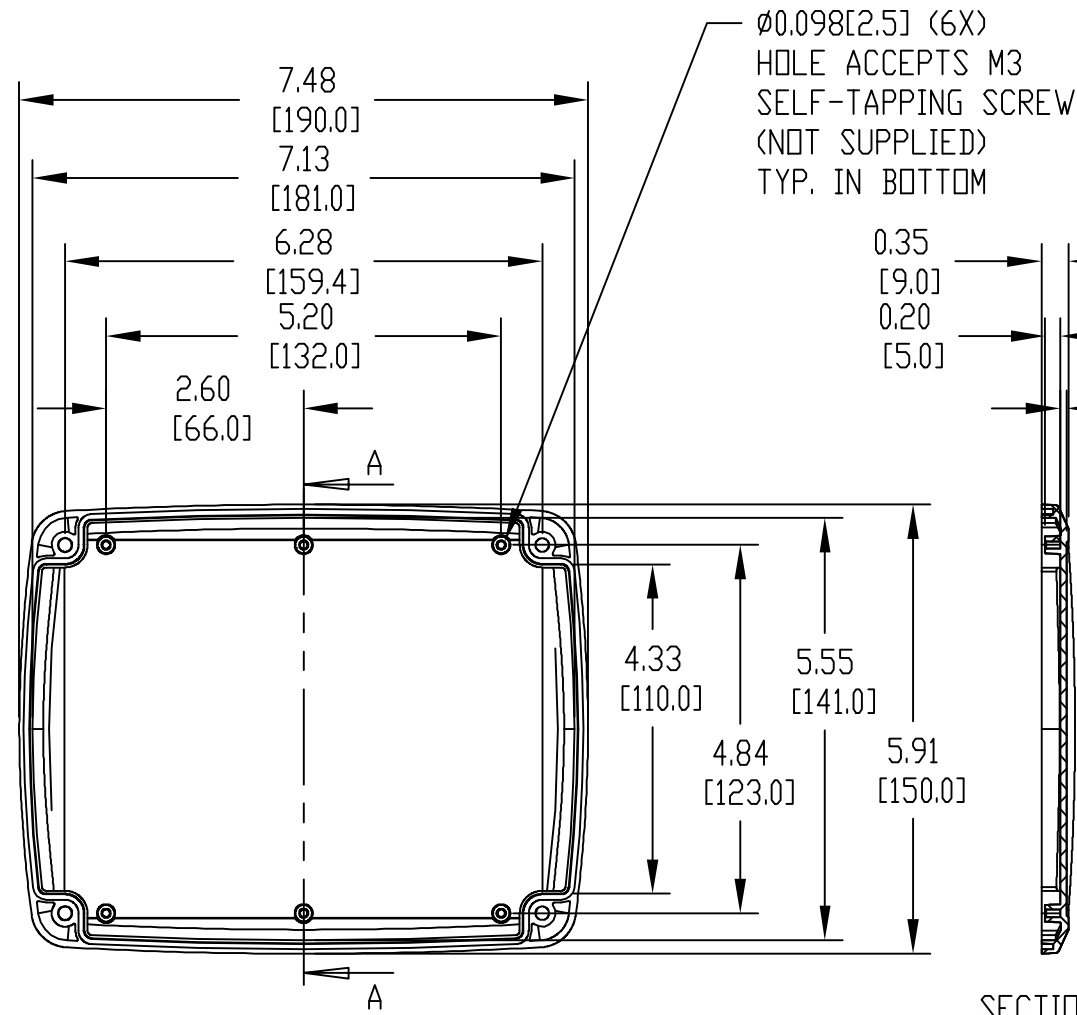
TABLET ENCLOSURE

PART No.

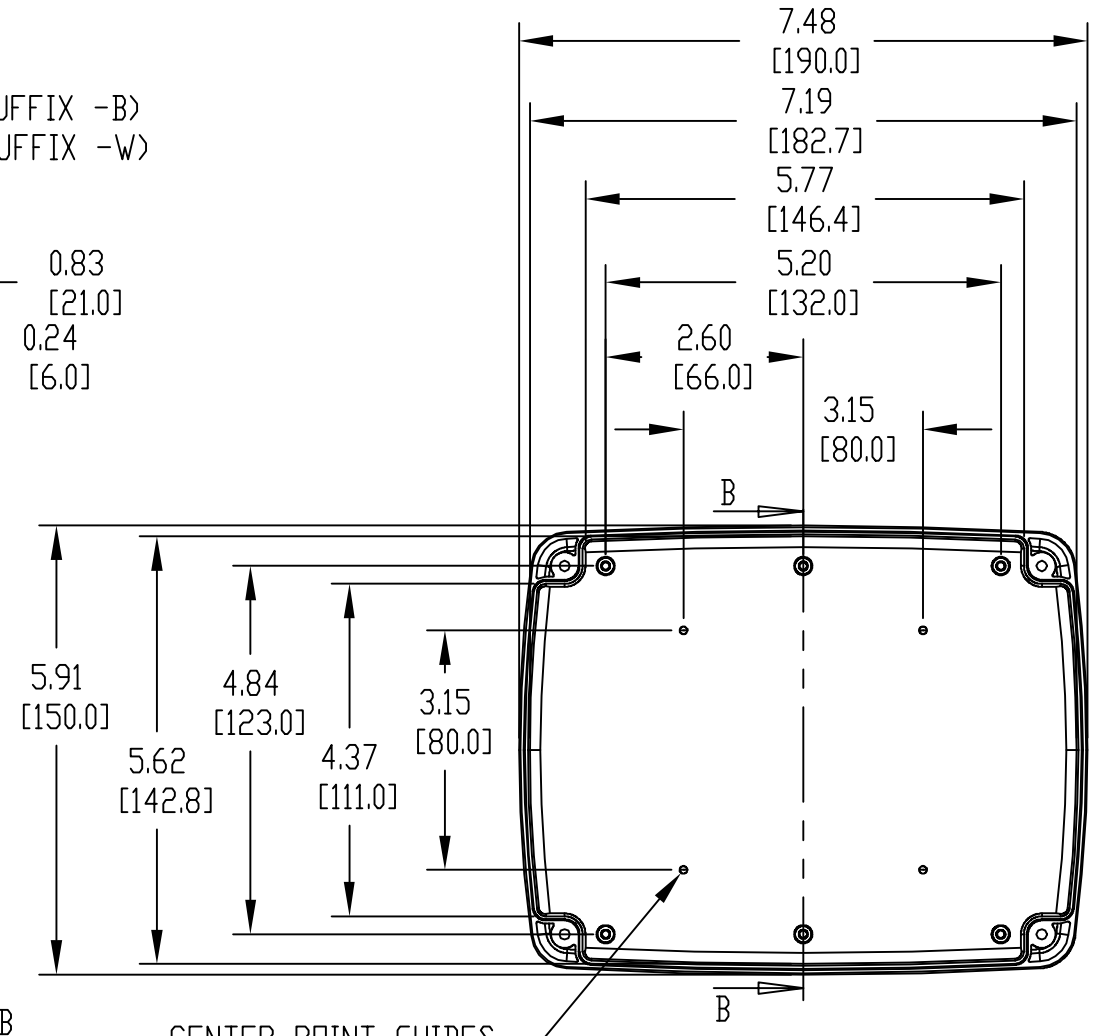
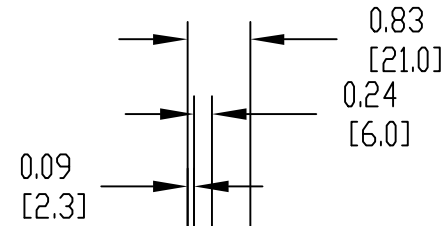
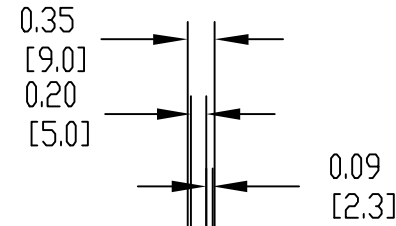
TB-32611-B & TB-32611-W

REV. DATE

2-23-13



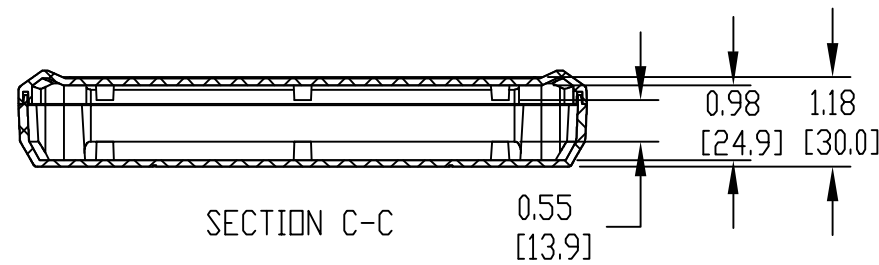
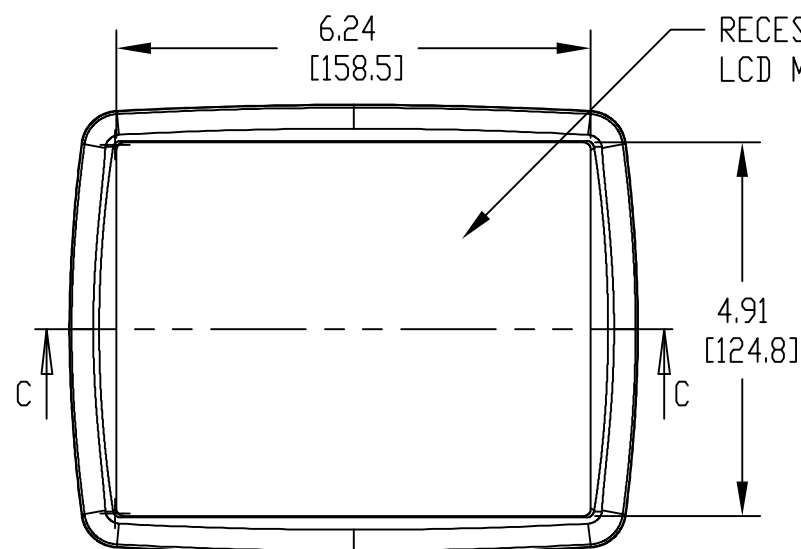
MATERIAL:
ABS UL94-HB BLACK (SUFFIX -B)
ABS UL94-V0 WHITE (SUFFIX -W)



SECTION A-A

SECTION B-B

CENTER POINT GUIDES
FOR DRILLING WALL
MOUNTING HOLES (4X)



NOTES:

- 1.) FOUR (4) M3 x 0.83[21] LG. SELF-TAPPING SCREWS SUPPLIED FOR ASSEMBLY
- 2.) FOUR (4) ADD-ON RUBBER FEET SUPPLIED
- 3.) ALL HOLE DIAMETERS HAVE ±0.005[0.13] TOLERANCE
ALL OTHER DIMENSIONS HAVE ±0.015[0.38] TOLERANCE
- 4.) DIMENSIONS ARE INCH[MILLIMETER] - THIRD ANGLE PROJECTION
- 5.) OPTIONAL SILICONE SPONGE GASKET #TB-32611-GSK AVAILABLE

