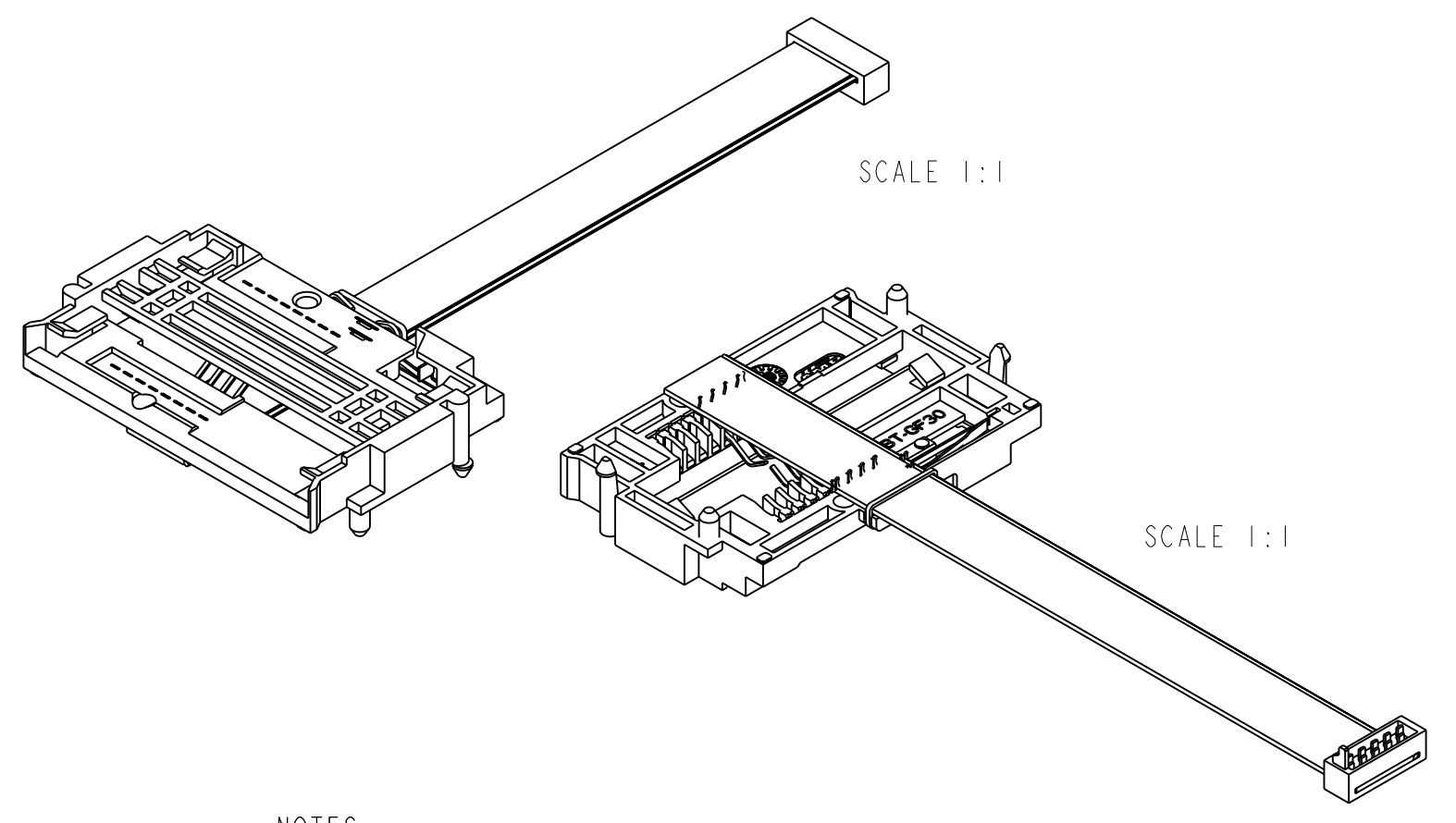
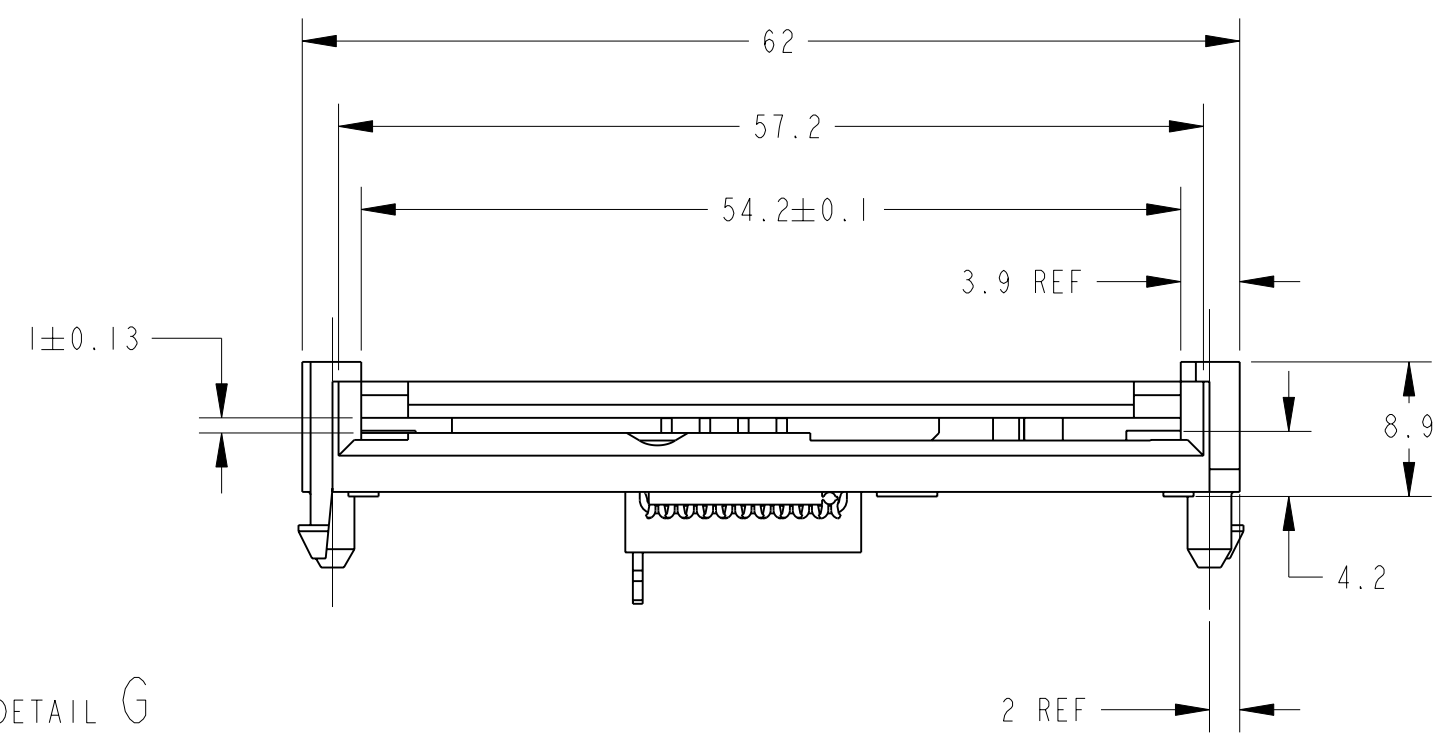
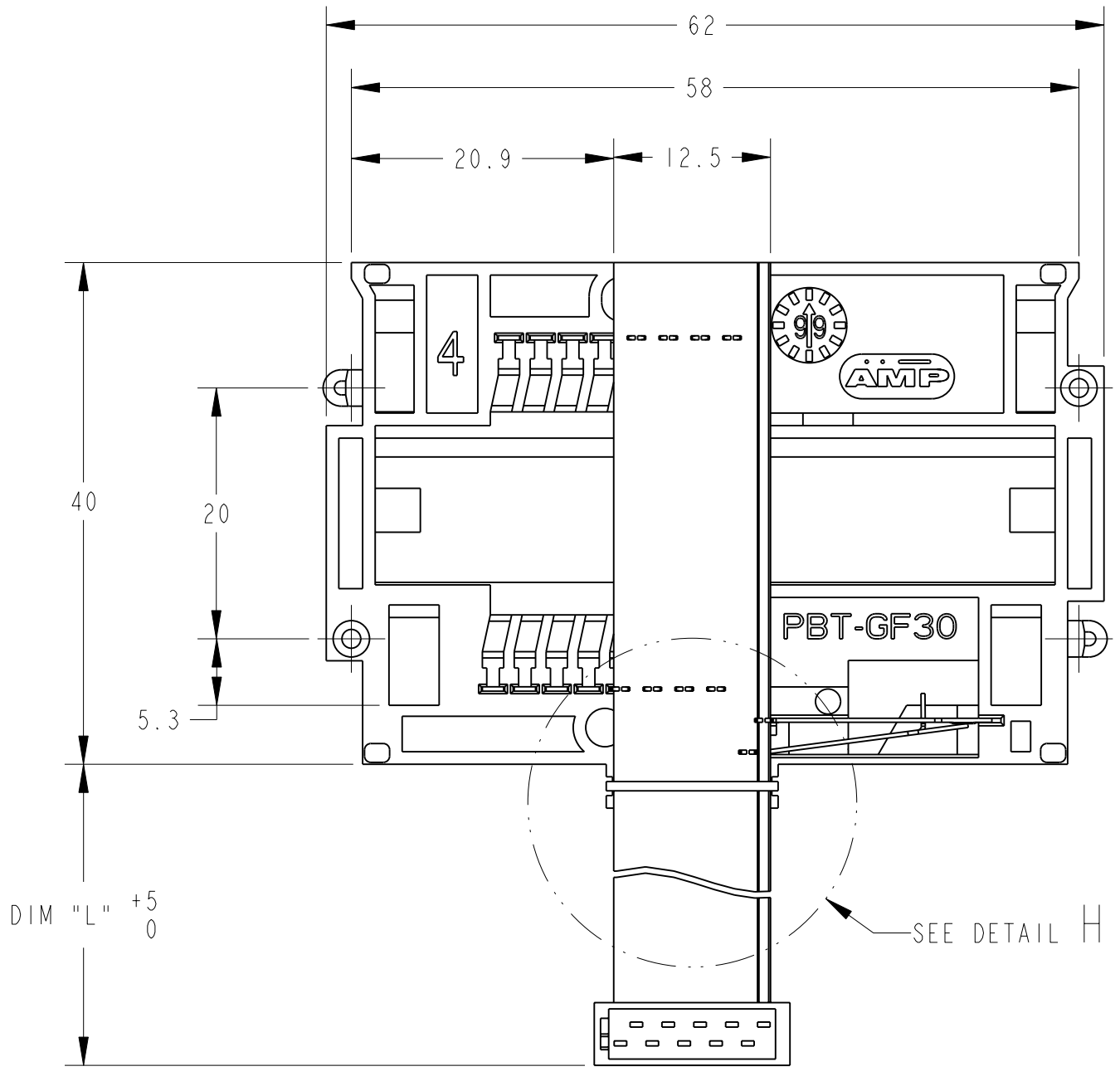
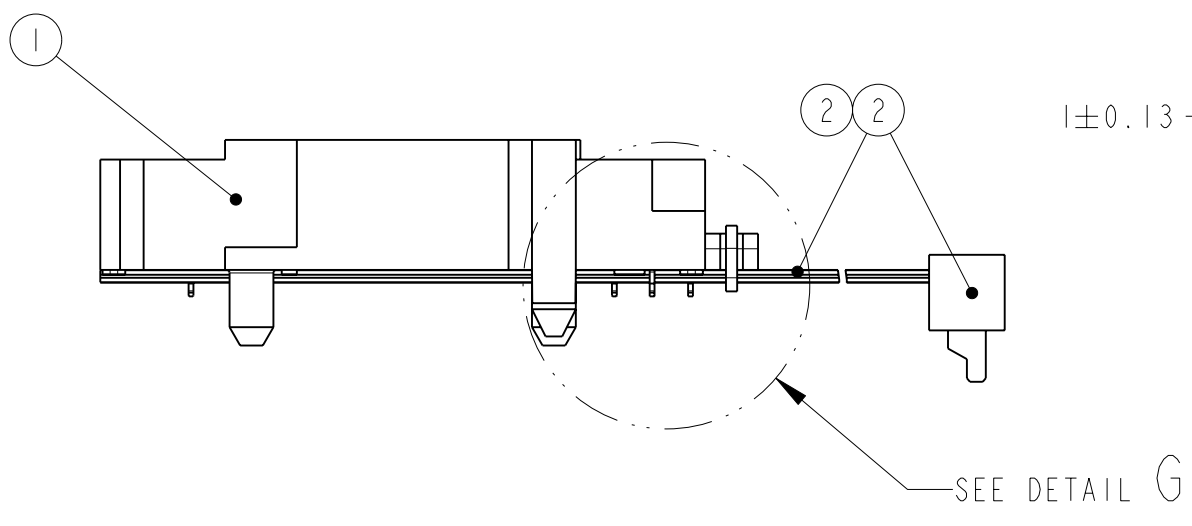
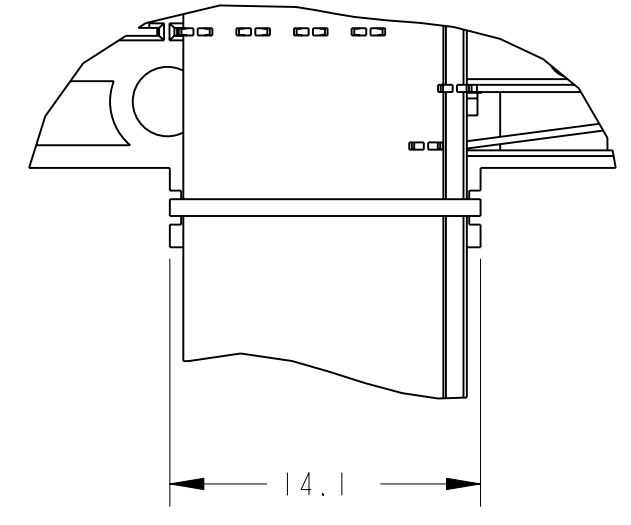
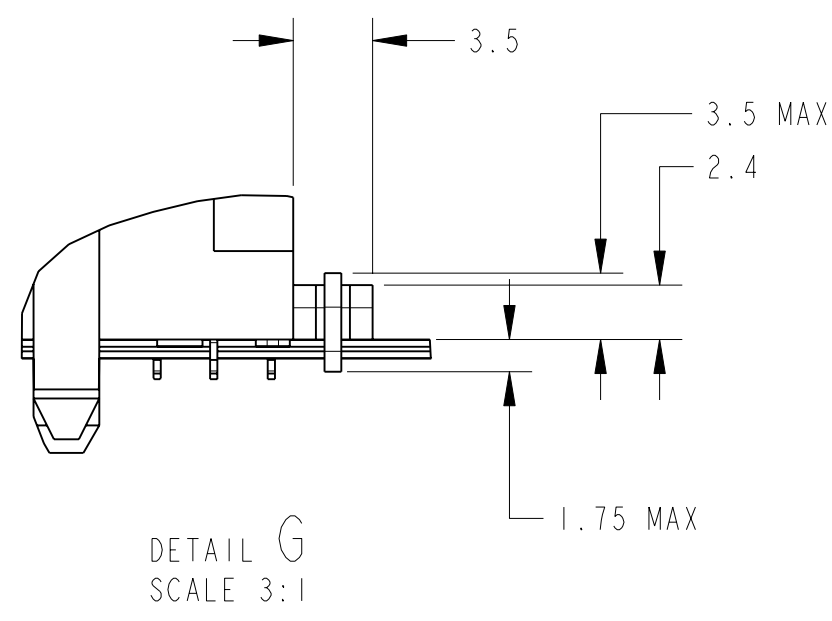


THIS DRAWING IS UNPUBLISHED. RELEASED FOR PUBLICATION
 © COPYRIGHT - ALL RIGHTS RESERVED.

LOC	DIST	REVISIONS					
		P	LTR	DESCRIPTION	DATE	DWN	APVD
IR	-	A		EH10-0478-04	30NOV2004	RC	PJ
		B		ECR-09-024818	12 NOV 2009	GG	PCH
		BI		ECR-11-004915	08 MAR 2011	GG	PKS



NOTES:

CONTACTS PLATING :

- 1 OVERALL: Ni 2µm MIN, ALL OVER THE CONTACTS.
- SOLDER ZONE: Sn 2.5µm MIN ON THE SOLDER ZONE OF THE CONTACTS.
- MATING ZONE: PLATING CONFIRMS TO PRODUCT REQUIREMENTS AS PER SPECIFICATION 108-15174.

MATERIAL :

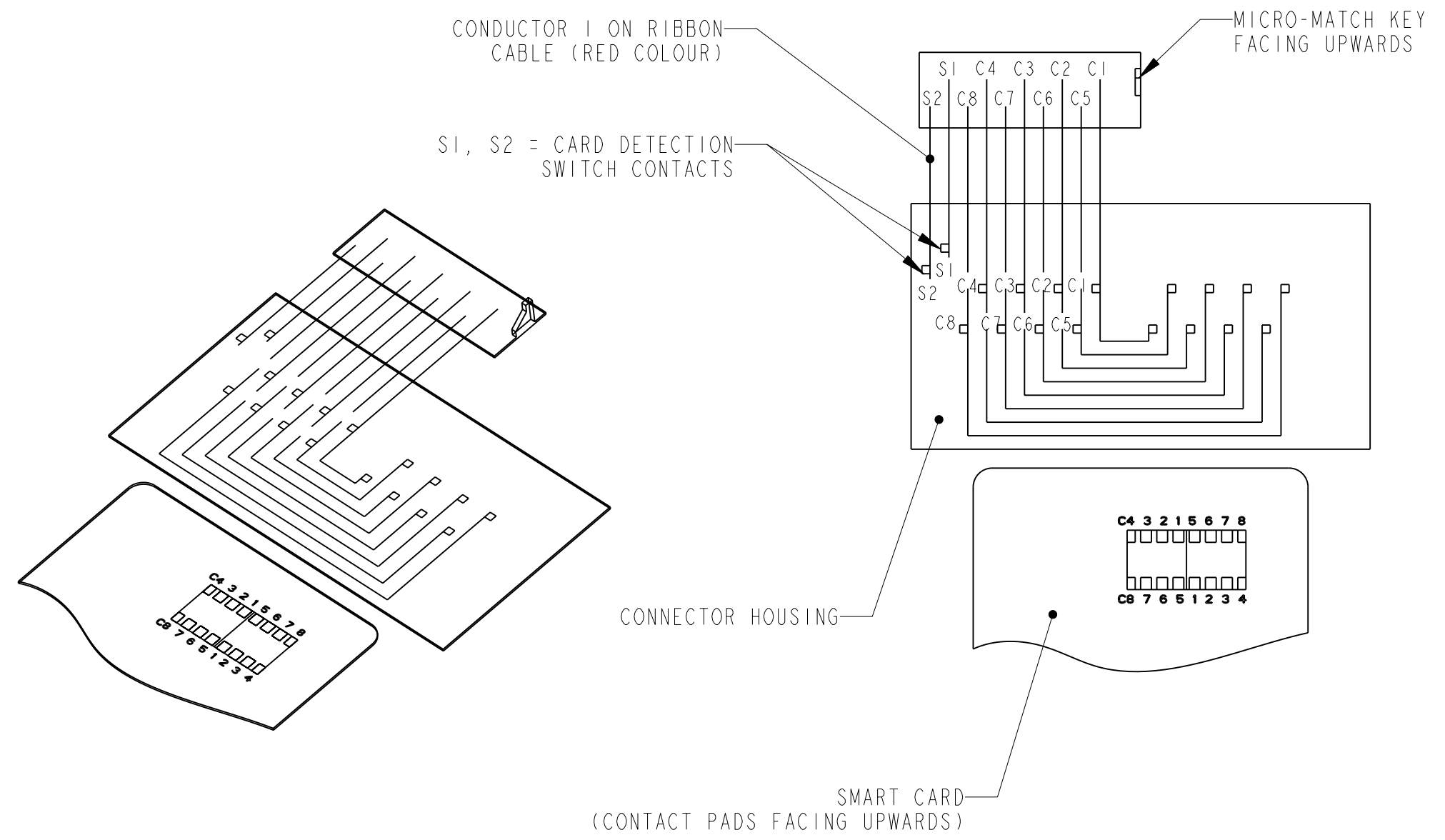
- 2 HOUSING: PBT-GF, BLACK UL 94V0.
- CONTACTS: PHOSPHOR BRONZE.
- 3 TE SMART CARD RECEPTACLE DESIGNED TO ACCEPT ISO 7810-7816 TYPE INTEGRATED CIRCUIT SMART CARDS (0.76MM REF. THICKNESS) SEE SHEET 2/2
- 4 UL STYLE 2651 RIBBON CABLE AND, 10 POSITIONS MICRO-MATCH CONNECTOR; TO BE MATED WITH 1-215079-0 THROUGH HOLE VERSION OR 1-188275-0 SMT VERSION.

	I	-	-	-	-	FERRITE CORE (SEE SHEET 2)	3
	I	I	-	-	-	RIBBON CABLE ASS'Y, L = 80mm	2
	-	-	I	-	-	RIBBON CABLE ASS'Y, L = 150mm	2
	-	-	-	I	-	RIBBON CABLE ASS'Y, L = 305mm	2
	-	-	-	-	I	RIBBON CABLE ASS'Y, L = 100mm	2
	I	I	I	I	I	SMART CARD READER ASS'Y 8 POS. WITH METAL STRAIN RELIEF	1
ASS'Y P/N 5953131	-5	-4	-3	-2	-1	DESCRIPTION	ITEM
Qty per ASS'Y							

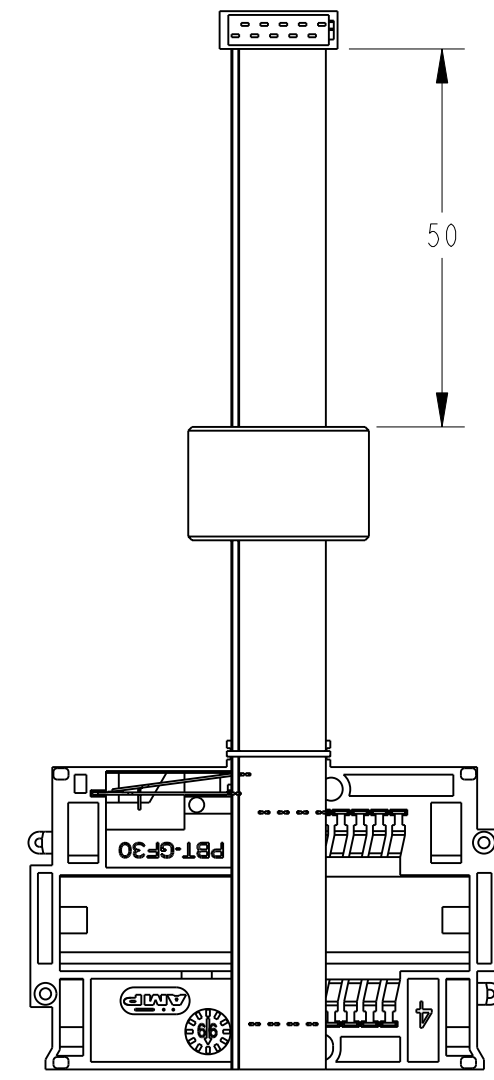
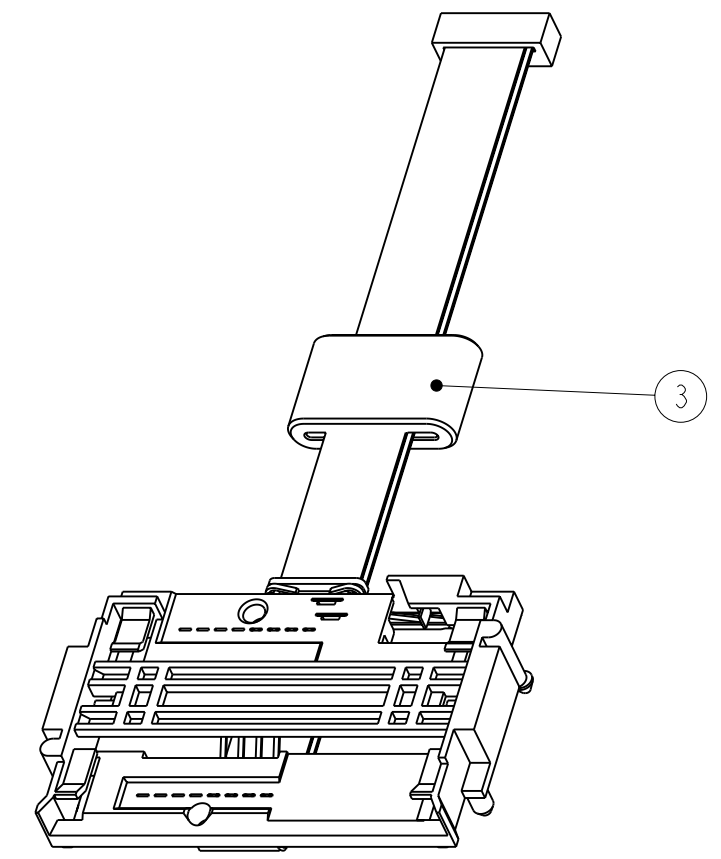
THIS DRAWING IS A CONTROLLED DOCUMENT.		DWN R. Coolen	30-Nov-04	TE Connectivity SMART CARD READER WITH RIBBON CABLE 8 POSITIONS			
DIMENSIONS: mm		CHK W. Jansen					
TOLERANCES UNLESS OTHERWISE SPECIFIED:		APVD P. Jaeger		NAME			
0 PLC ±0,3		PRODUCT SPEC	108-15174	SIZE			
1 PLC ±0,3		APPLICATION SPEC		CAGE CODE			
2 PLC ±0,3		WEIGHT		DRAWING NO			
3 PLC ±				RESTRICTED TO			
4 PLC ±				SCALE			
ANGLES ±				SHEET			
FINISH				OF			
				REV			
				B1			

THIS DRAWING IS UNPUBLISHED. RELEASED FOR PUBLICATION
 © COPYRIGHT - ALL RIGHTS RESERVED.

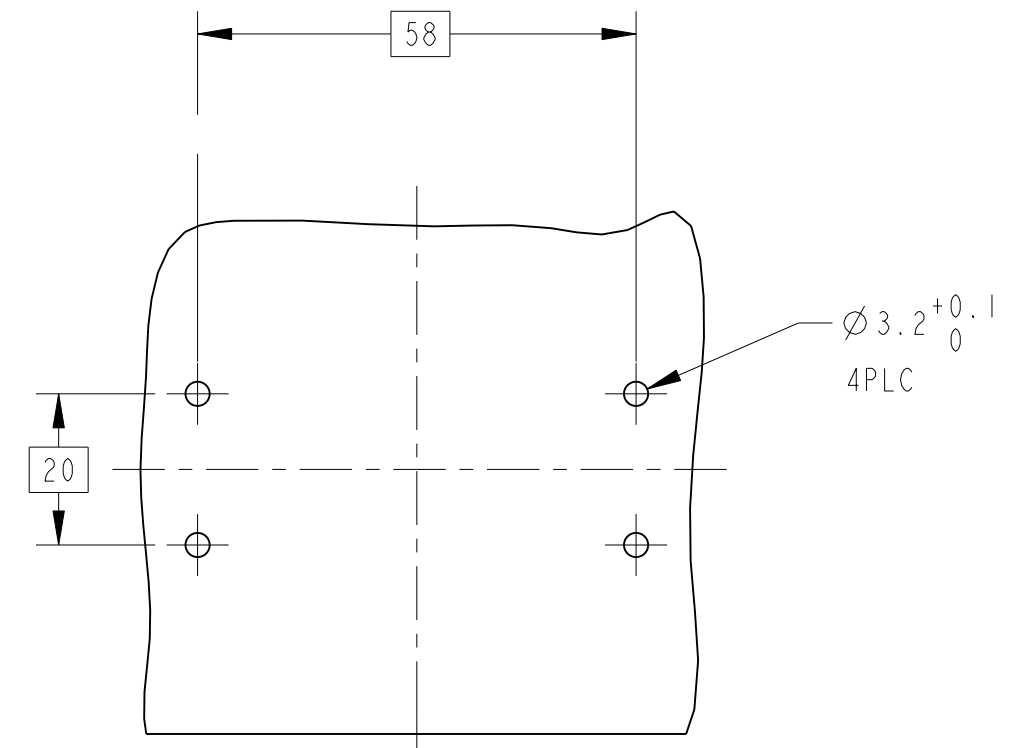
LOC	DIST	REVISIONS					
1R	-	P	LTR	DESCRIPTION	DATE	DWN	APVD
		-		SEE SHEET 1			



ELECTRICAL DIAGRAM



PN 5953131-5 AS SHOWN



↑
SMART CARD
INSERTION DIRECTION

RECOMMENDED LAYOUT

CONNECTOR SIDE
 BOARD THICKNESS = 1.57mm
 POSITION TOLERANCE FOR ALL HOLES $\varnothing 0.1$

THIS DRAWING IS A CONTROLLED DOCUMENT.		DWN R. Coolen	30-Nov-04	STE TE Connectivity	
DIMENSIONS: mm		CHK W. Jansen			
TOLERANCES UNLESS OTHERWISE SPECIFIED:		APVD P. Jaeger		NAME SMART CARD READER WITH RIBBON CABLE 8 POSITIONS	
0 PLC ±0,3		PRODUCT SPEC		SIZE A2	CAGE CODE
1 PLC ±0,3		APPLICATION SPEC		DRAWING NO C-5953131	RESTRICTED TO
2 PLC ±0,3		WEIGHT		SCALE 2:1	SHEET 2 OF 2
3 PLC ±		CUSTOMER DRAWING		REV B1	
4 PLC ±					
ANGLES ±					
FINISH					