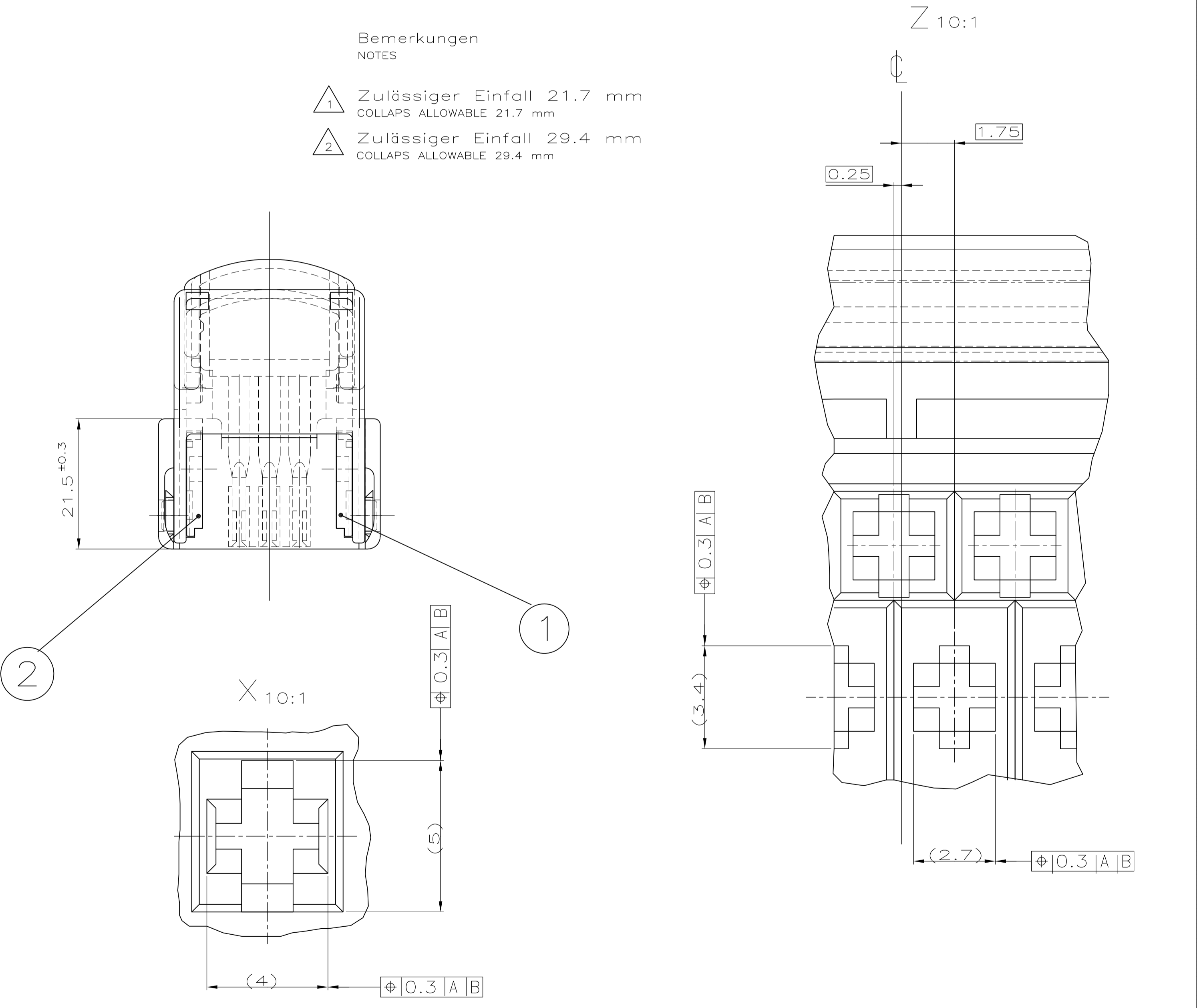


Bemerkungen
NOTES

1 Zulässiger Einfall 21.7 mm
COLLAPS ALLOWABLE 21.7 mm

2 Zulässiger Einfall 29.4 mm
COLLAPS ALLOWABLE 29.4 mm



CUSTOMER PART NO.	TE CONNECTIVITY PART NO.	REV.	PCS.	MATERIAL	SURFACE COLOR	DESCRIPTION	ITEM NO.
-	2-968879-1	A	1	PBT-GF30	GREY	70 POS. REC. HSG., CODE B1	5
-	2-968879-1	A	1	PBT-GF30	BLACK	LOCKING CLIP	3
-	2-968879-1	A	1	PBT-GF30	RED	SLIDE (LEFT POSITION)	2
-	2-968879-1	A	1	PBT-GF30	RED	SLIDE (RIGHT POSITION)	1
-	1-968879-1	A	1	PBT-GF30	BLACK	70 POS. REC. HSG., CODE A1	4
-	1-968879-1	A	1	PBT-GF30	BLACK	LOCKING CLIP	3
-	1-968879-1	A	1	PBT-GF30	RED	SLIDE (LEFT POSITION)	2
-	1-968879-1	A	1	PBT-GF30	RED	SLIDE (RIGHT POSITION)	1

THIS DRAWING IS A CONTROLLED DOCUMENT. DIESE ZEICHNUNG IST EIN KONTROLLIERTES DOKUMENT.		DIN A MACHILL 07-APR-97	STE TE Connectivity
DIMENSIONS: MASSENEHLEN: mm		08-APR-97	
TOLERANCES UNLESS OTHERWISE SPECIFIED: ALLIGERENTOLERANZEN		NAME	
1 PLC ±		70 POS. MIXED REC. HOUSING (60 x MT2 + 10 x JPT)	
2 PLC ±		PRODUCT SPEC	
3 PLC ±		VERARBEITUNGSSPEZ	
4 PLC ±		APPLICATION SPEC	
ANGLES / WINKEL ±		WEIGHT	
FINISH / OBERFLÄCHE/FARBE		GEWICHT	
MATERIAL		SCALE	
-		2:1	
CUSTOMER DRAWING / KUNDENZEICHNUNG		SHEET 1 OF 1	
-		REV A4	