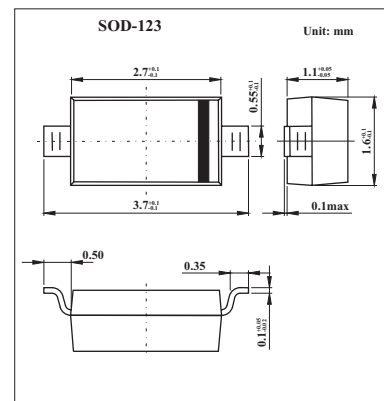


HVD372B

■ Features

- High capacitance ratio. (n = 2.00 min).
- Good linearity of C-V curve.
- Super small Flat Lead Package (SFP) is suitable for surface mount design.



■ Absolute Maximum Ratings Ta = 25 °C

Parameter	Symbol	Value	Unit
Reverse Voltage	V _R	15	V
Junction temperature	T _j	125	°C
Storage temperature	T _{stg}	-55 to +125	°C

■ Electrical Characteristics Ta = 25 °C

Parameter	Symbol	Conditions	Min	Typ	Max	Unit
Reverse current	I _{R1}	V _R = 15 V			10	nA
	I _{R2}	V _R = 15 V, Ta = 60 °C			100	
Capacitance	C ₁	V _R = 1 V, f = 1 MHz	15		17	pF
	C ₄	V _R = 4 V, f = 1 MHz	7		8.5	
Capacitance ratio	n	C ₁ / C ₄	2			
Series resistance	r _s	V _R = 4 V, f = 470 MHz			0.4	Ω

■ Marking

Marking	F
---------	---