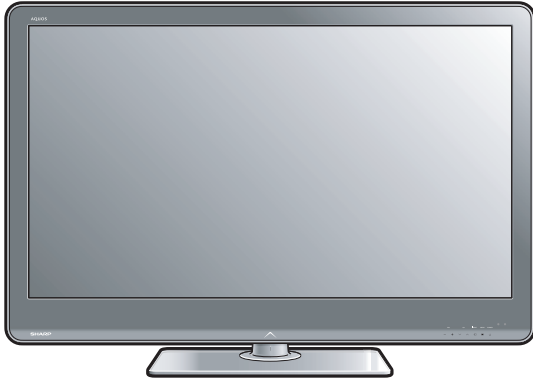


SHARP SERVICE MANUAL

No. S30E840LE810U



LCD COLOR TELEVISION

LC-40LE810UN

LC-46LE810UN

LC-52LE810UN

MODELS LC-60LE810UN

In the interests of user-safety (Required by safety regulations in some countries) the set should be restored to its original condition and only parts identical to those specified should be used.

CONTENTS

SAFETY PRECAUTION

IMPORTANT SERVICE SAFETY PRECAUTION.....i	
PRECAUTIONS A PRENDRE LORS DE LA REPARATION.....ii	
PRECAUTIONS FOR USING LEAD-FREE SOLDERiii	

OUTLINE

MAJOR SERVICE PARTSiv	
-----------------------------	--

CHAPTER 1. SPECIFICATIONS

[1] SPECIFICATIONS (LC-40/46LE810UN)..... 1-1	
[2] SPECIFICATIONS (LC-52/60LE810UN)..... 1-2	

CHAPTER 2. OPERATION MANUAL

[1] Parts Name 2-1	
[2] OPERATION MANUAL 2-3	

CHAPTER 3. DIMENSIONS

[1] DIMENSIONS (LC-40LE810UN)..... 3-1	
[2] DIMENSIONS (LC-46LE810UN)..... 3-2	
[3] DIMENSIONS (LC-52LE810UN)..... 3-3	
[4] DIMENSIONS (LC-60LE810UN)..... 3-4	

CHAPTER 4. REMOVING OF MAJOR PARTS

[1] REMOVING OF MAJOR PARTS (LC-40LE810UN) 4-1	
---------------------------------------------------------	--

[2] REMOVING OF MAJOR PARTS (LC-46LE810UN)..... 4-6	
[3] REMOVING OF MAJOR PARTS (LC-52LE810UN)..... 4-11	
[4] REMOVING OF MAJOR PARTS (LC-60LE810UN)..... 4-16	

CHAPTER 5. ADJUSTMENT

[1] ADJUSTMENT PROCEDURE 5-1	
[2] PUBLIC MODE SETTING PROCEDURE... 5-15	

CHAPTER 6. TROUBLESHOOTING TABLE

[1] TROUBLESHOOTING TABLE 6-1	
[2] LED flashing specification at the time of an error (Center icon LED used) 6-14	

CHAPTER 7. MAJOR IC INFORMATIONS

[1] MAJOR IC INFORMATIONS 7-1	
-------------------------------------	--

CHAPTER 8. OVERALL WIRING/SYSTEM BLOCK DIAGRAM

[1] OVERALL WIRING DIAGRAM 8-1	
[2] SYSTEM BLOCK DIAGRAM 8-2	

Parts Guide

Parts marked with "⚠" are important for maintaining the safety of the set. Be sure to replace these parts with specified ones for maintaining the safety and performance of the set.

SAFETY PRECAUTION

IMPORTANT SERVICE SAFETY PRECAUTION

- Service work should be performed only by qualified service technicians who are thoroughly familiar with all safety checks and the servicing guidelines which follow:

WARNING

- For continued safety, no modification of any circuit should be attempted.
- Disconnect AC power before servicing.

CAUTION: FOR CONTINUED PROTECTION AGAINST A RISK OF FIRE REPLACE ONLY WITH SAME TYPE FUSE.

F7000 (250V 3.5A) (LC-40LE810UN)

F7001 (250V 3.5A) (LC-40LE810UN)

F7000 (250V 5A) (LC-46/52/60LE810UN)

F7001 (250V 5A) (LC-46/52/60LE810UN)

BEFORE RETURNING THE RECEIVER (Fire & Shock Hazard)

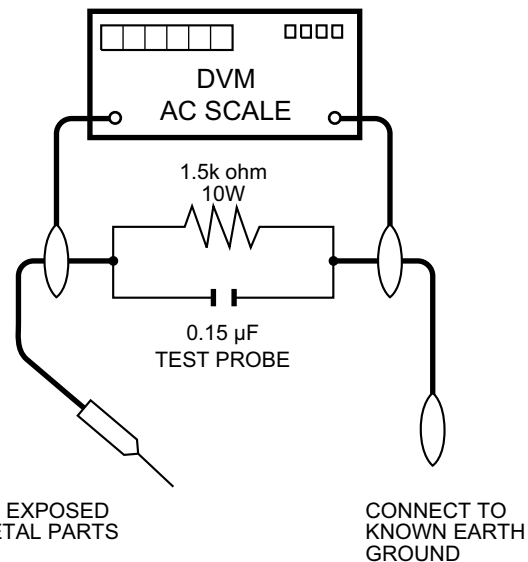
Before returning the receiver to the user, perform the following safety checks:

- Inspect all lead dress to make certain that leads are not pinched, and check that hardware is not lodged between the chassis and other metal parts in the receiver.
 - Inspect all protective devices such as non-metallic control knobs, insulation materials, cabinet backs, adjustment and compartment covers or shields, isolation resistor-capacitor networks, mechanical insulators, etc.
 - To be sure that no shock hazard exists, check for leakage current in the following manner.
- Plug the AC cord directly into a 120 volt AC outlet.

- Using two clip leads, connect a 1.5k ohm, 10 watt resistor paralleled by a 0.15μF capacitor in series with all exposed metal cabinet parts and a known earth ground, such as electrical conduit or electrical ground connected to an earth ground.
- Use an AC voltmeter having with 5000 ohm per volt, or higher, sensitivity or measure the AC voltage drop across the resistor.
- Connect the resistor connection to all exposed metal parts having a return to the chassis (antenna, metal cabinet, screw heads, knobs and control shafts, escutcheon, etc.) and measure the AC voltage drop across the resistor.

All checks must be repeated with the AC cord plug connection reversed. (If necessary, a nonpolarized adaptor plug must be used only for the purpose of completing these checks.)

Any reading of 0.75 Vrms (this corresponds to 0.5 mA rms AC.) or more is excessive and indicates a potential shock hazard which must be corrected before returning the monitor to the owner.



SAFETY NOTICE

Many electrical and mechanical parts in LCD color television have special safety-related characteristics.

These characteristics are often not evident from visual inspection, nor can protection afforded by them be necessarily increased by using replacement components rated for higher voltage, wattage, etc.

Replacement parts which have these special safety characteristics are identified in this manual; electrical components having such features are identified by "⚠" and shaded areas in the Replacement Parts List and Schematic Diagrams.

For continued protection, replacement parts must be identical to those used in the original circuit.

The use of a substitute replacement parts which do not have the same safety characteristics as the factory recommended replacement parts shown in this service manual, may create shock, fire or other hazards.

PRECAUTIONS A PRENDRE LORS DE LA REPARATION

■ Ne peut effectuer la réparation qu' un technicien spécialisé qui s'est parfaitement accoutumé à toute vérification de sécurité et aux conseils suivants.

■ AVERTISSEMENT

1. N'entreprendre aucune modification de tout circuit. C'est dangereux.
2. Débrancher le récepteur avant toute réparation.

PRECAUTION: POUR LA PROTECTION CONTINUE CONTRE LES RISQUES D'INCENDIE, REMPLACER LE FUSIBLE

F7000 (250V 3.5A) (LC-40LE810UN)

F7001 (250V 3.5A) (LC-40LE810UN)

F7000 (250V 5A) (LC-46/52/60LE810N)

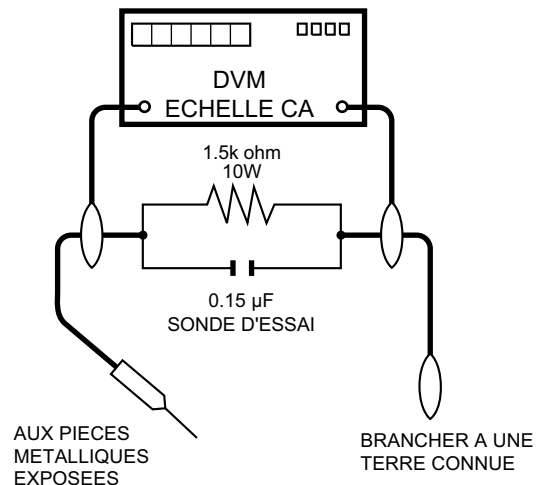
F7001 (250V 5A) (LC-46/52/60LE810UN)

■ VERIFICATIONS CONTRE L'INCEN-DIE ET LE CHOC ELECTRIQUE

Avant de rendre le récepteur à l'utilisateur, effectuer les vérifications suivantes.

3. Inspecter tous les faisceaux de câbles pour s'assurer que les fils ne soient pas pincés ou qu'un outil ne soit pas placé entre le châssis et les autres pièces métalliques du récepteur.
4. Inspecter tous les dispositifs de protection comme les boutons de commande non-métalliques, les isolants, le dos du coffret, les couvercles ou blindages de réglage et de compartiment, les réseaux de résistancecapacité, les isolateurs mécaniques, etc.
5. S'assurer qu'il n'y ait pas de danger d'électrocution en vérifiant la fuite de courant, de la façon suivante:
 - Brancher le cordon d'alimentation directement à une prise de courant de 120V. (Ne pas utiliser de transformateur d'isolation pour cet essai).

- A l'aide de deux fils à pinces, brancher une résistance de 1.5 k Ω 10 watts en parallèle avec un condensateur de 0.15 μ F en série avec toutes les pièces métalliques exposées du coffret et une terre connue comme une conduite électrique ou une prise de terre branchée à la terre.
- Utiliser un voltmètre CA d'une sensibilité d'au moins 5000 Ω /V pour mesurer la chute de tension en travers de la résistance.
- Toucher avec la sonde d'essai les pièces métalliques exposées qui présentent une voie de retour au châssis (antenne, coffret métallique, tête des vis, arbres de commande et des boutons, écusson, etc.) et mesurer la chute de tension CA en-travers de la résistance. Toutes les vérifications doivent être refaites après avoir inversé la fiche du cordon d'alimentation. (Si nécessaire, une prise d'adpatation non polarisée peut être utilisée dans le but de terminer ces vérifications.)
La tension de pointe mesurée ne doit pas dépasser 0.75V (correspondante au courant CA de pointe de 0.5mA). Dans le cas contraire, il y a une possibilité de choc électrique qui doit être supprimée avant de rendre le récepteur au client.



AVIS POUR LA SECURITE

De nombreuses pièces, électriques et mécaniques, dans les téléviseur ACL présentent des caractéristiques spéciales relatives à la sécurité, qui ne sont souvent pas évidentes à vue. Le degré de protection ne peut pas être nécessairement augmentée en utilisant des pièces de remplacement étalonnées pour haute tension, puissance, etc.

Les pièces de remplacement qui présentent ces caractéristiques sont identifiées dans ce manuel; les pièces électriques qui présentent ces particularités sont identifiées par la marque "⚠" et hachurées dans la liste des pièces de remplacement et les diagrammes schématiques.

Pour assurer la protection, ces pièces doivent être identiques à celles utilisées dans le circuit d'origine. L'utilisation de pièces qui n'ont pas les mêmes caractéristiques que les pièces recommandées par l'usine, indiquées dans ce manuel, peut provoquer des électrocutions, incendies, radiations X ou autres accidents.

PRECAUTIONS FOR USING LEAD-FREE SOLDER

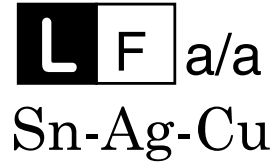
■Employing lead-free solder

- “PWBs” of this model employs lead-free solder. The LF symbol indicates lead-free solder, and is attached on the PWBs and service manuals. The alphabetical character following LF shows the type of lead-free solder.

Example:



Indicates lead-free solder of tin, silver and copper.



Indicates lead-free solder of tin, silver and copper.

■Using lead-free wire solder

- When fixing the PWB soldered with the lead-free solder, apply lead-free wire solder. Repairing with conventional lead wire solder may cause damage or accident due to cracks.

As the melting point of lead-free solder (Sn-Ag-Cu) is higher than the lead wire solder by 40 °C, we recommend you to use a dedicated soldering bit, if you are not familiar with how to obtain lead-free wire solder or soldering bit, contact our service station or service branch in your area.

■Soldering

- As the melting point of lead-free solder (Sn-Ag-Cu) is about 220 °C which is higher than the conventional lead solder by 40 °C, and as it has poor solder wettability, you may be apt to keep the soldering bit in contact with the PWB for extended period of time. However, Since the land may be peeled off or the maximum heat-resistance temperature of parts may be exceeded, remove the bit from the PWB as soon as you confirm the steady soldering condition.

Lead-free solder contains more tin, and the end of the soldering bit may be easily corroded. Make sure to turn on and off the power of the bit as required.

If a different type of solder stays on the tip of the soldering bit, it is alloyed with lead-free solder. Clean the bit after every use of it.

When the tip of the soldering bit is blackened during use, file it with steel wool or fine sandpaper.

- Be careful when replacing parts with polarity indication on the PWB silk.

Lead-free wire solder for servicing

PARTS CODE	PRICE RANK	PART DELIVERY	DESCRIPTION
ZHNDai123250E	BL	J	φ0.3mm 250g (1roll)
ZHNDai126500E	BK	J	φ0.6mm 500g (1roll)
ZHNDai12801KE	BM	J	φ1.0mm 1kg (1roll)

OUTLINE

MAJOR SERVICE PARTS

■PWB UNIT

Ref No.	Part No.	Description
N	DKEYMF452FM01	MAIN Unit *1
N	DUNTKF493FM01	ICON Unit
N	DUNTKF494FM01	R/C LED Unit
N	RUNTKA692WJQZ	KEY Unit
N	RUNTKA682WJQZ	POWER/LED Drive Unit (LC-40LE810UN)
N	RUNTKA683WJQZ	POWER/LED Drive Unit (LC-46LE810UN)
N	RUNTKA693WJQZ	POWER/LED Drive Unit (LC-52LE810UN)
N	RUNTKA684WJQZ	POWER/LED Drive Unit (LC-60LE810UN)
N	RUNTKA692WJQZ	TOUCH SENSOR Unit *2
N	RUNTK4437TPZZ	LCD CONTROL Unit (LC-40LE810UN)
N	RUNTK4437TPZA	LCD CONTROL Unit (LC-46LE810UN)
N	RUNTK4437TPZB	LCD CONTROL Unit (LC-52LE810UN)
N	RUNTK4437TPZC	LCD CONTROL Unit (LC-60LE810UN)
N	RUNTK4462TPZZ	LED PWB Unit (LC-40LE810UN), x4
N	RUNTK4461TPZZ	LED PWB Unit (LC-46LE810UN), x4
N	RUNTK4460TPZZ	LED PWB Unit (LC-52LE810UN), x4
N	RUNTK4458TPZZ	LED PWB Unit (LC-60LE810UN), x4
N	RUNTK4459TPZZ	LED PWB Unit (LC-60LE810UN), x4

■OTHER UNIT

Ref No.	Part No.	Description
N	R1LK400D3LWF2Z	40" LCD Panel Module Unit
N	R1LK460D3LWA2Z	46" LCD Panel Module Unit
N	R1LK520D3LWA2Z	52" LCD Panel Module Unit
N	R1LK600D3LW2BZ	60" LCD Panel Module Unit

■IC FOR EXCLUSIVE USE OF THE SERVICE

Ref No.	Part No.	Description	Q'ty
IC509	VHiR24002AS1YS	R1EX24002ASAS0A (RGB EDID)	1
IC2002	RH-iXC786WJNHQ	R5F364A6NFB (MICON)	1

NOTE: *1 Replace MAIN PWB Units (DKEYMF452FM01) in case of IC8401 or IC3302 failure.

Therefore, please exchange of a touch sensor unit in the case of front cabinet exchange.

*2 TOUCH SENSOR Unit (RUNTKA692WJQZ) reuse will be impossible, once it is stuck on front cabinet and exfoliates.

■SERVICE JIGS

Ref No.	Part No.	Description	Q'ty
N	QCNW-C222WJQZ	Connecting Cord L=1000mm 80pin LCD Control to LCD Panel Unit x2	2
N	QCNW-H184WJQZ	Connecting Cord L=1000mm 12pin Main to Power Unit (PD)	1
N	QCNW-F676WJQZ	Connecting Cord L=1000mm 41pin Main to LCD Control (LW)	1
N	QCNW-G405WJQZ	Connecting Cord L=1000mm 4pin Main to LCD Control (PL)	1
N	QCNW-G394WJQZ	Connecting Cord L=1000mm 9pin Main to Power (LB)	1

CHAPTER 1. SPECIFICATIONS**[1] SPECIFICATIONS (LC-40/46LE810UN)**

Item		Model: LC-40LE810UN	Model: LC-46LE810UN
LCD panel	Size	40" Class (40" Diagonal)	46" Class (45 ⁶³ / ₆₄ " Diagonal)
	Resolution	2,073,600 pixels (1,920 x 1,080)	
	TV-standard (CCIR)	American TV Standard ATSC/NTSC System	
TV Function	Receiving Channel	VHF/UHF	VHF 2-13ch, UHF 14-69ch
		CATV	1-135ch (non-scrambled channel only)
		Digital Terrestrial Broadcast (8VSB)	2-69ch
		Digital cable ^{*1} (64/256 QAM)	1-135ch (non-scrambled channel only)
	Audio multiplex	BTSC System	
Audio out		10W x 2 + 15W (WF)	
Terminals	Back panel vertical inputs	INPUT 2	AV in (AV mini plug and RCA plugs)
		INPUT 3	ANALOG RGB (PC) in (15-pin mini D-sub female connector), Audio in (Ø 3.5 mm stereo jack)
		INPUT 4	HDMI in with HDCP, Audio in (Ø 3.5 mm stereo jack)
		INPUT 5	HDMI in with HDCP
		INPUT 6	HDMI in with HDCP
		INPUT 7	HDMI in with HDCP
		AUDIO IN	Audio in (Ø 3.5 mm stereo jack)
		AUDIO OUT	Audio out (Ø 3.5 mm stereo jack)
		DIGITAL AUDIO OUTPUT	Optical Digital audio output x 1 (PCM/Dolby Digital)
		ETHERNET	Network connector
		USB 1	Photo/Music mode, Software update
	USB 2	Photo/Music mode, Software update	
	Back panel horizontal inputs	INPUT 1	COMPONENT in
		ANT/CABLE	75 Ω Unbalance, F Type x 1 for Analog (VHF/UHF/CATV) and Digital (AIR/CABLE)
RS-232C		9-pin D-sub male connector	
OSD language		English/French/Spanish	
Power Requirement		AC 120 V, 60 Hz	
Power Consumption		140 W (0.5 W Standby with AC 120 V)	160 W (0.5 W Standby with AC 120 V)
Weight	TV + stand	43.0 lbs./19.5 kg	57.3 lbs./26.0 kg
	TV only	35.3 lbs./16.0 kg	45.2 lbs./20.5 kg
Dimension ^{*2} (W x H x D)	TV + stand	39 ¹ / ₁₆ x 27 ¹³ / ₁₆ x 10 ²⁷ / ₃₂ inch	44 ¹⁹ / ₆₄ x 30 ⁷ / ₈ x 13 ²⁵ / ₆₄ inch
	TV only	39 ¹ / ₁₆ x 25 ⁵⁹ / ₆₄ x 1 ³⁷ / ₆₄ inch	44 ¹⁹ / ₆₄ x 28 ⁷ / ₈ x 1 ³⁷ / ₆₄ inch
Operating temperature		+32°F to +104°F (0°C to +40°C)	

Cautions regarding use in high and low temperature environments

- When the unit is used in a low temperature space (e.g. room, office), the picture may leave trails or appear slightly delayed. This is not a malfunction, and the unit will recover when the temperature returns to normal.
- Do not leave the unit in a hot or cold location. Also, do not leave the unit in a location exposed to direct sunlight or near a heater, as this may cause the cabinet to deform and the Liquid Crystal panel to malfunction.
Storage temperature: -4°F to + 140°F (-20°C to + 60°C)

[2] SPECIFICATIONS (LC-52/60LE810UN)

Item		Model: LC-52LE810UN	Model: LC-60LE810UN
LCD panel	Size	52" Class (52 ¹ / ₃₂ " Diagonal)	60" Class (60 ¹ / ₃₂ " Diagonal)
	Resolution	2,073,600 pixels (1,920 x 1,080)	
TV Function	TV-standard (CCIR)		American TV Standard ATSC/NTSC System
	Receiving Channel	VHF/UHF	VHF 2-13ch, UHF 14-69ch
		CATV	1-135ch (non-scrambled channel only)
		Digital Terrestrial Broadcast (8VSB)	2-69ch
		Digital cable ^{*1} (64/256 QAM)	1-135ch (non-scrambled channel only)
Audio multiplex		BTSC System	
Audio out		10W x 2 + 15 W (WF)	
Terminals	Back panel vertical inputs	INPUT 2	AV in (AV mini plug and RCA plugs)
		INPUT 3	ANALOG RGB (PC) in (15-pin mini D-sub female connector), Audio in (Ø 3.5 mm stereo jack)
		INPUT 4	HDMI in with HDCP, Audio in (Ø 3.5 mm stereo jack)
		INPUT 5	HDMI in with HDCP
		INPUT 6	HDMI in with HDCP
		INPUT 7	HDMI in with HDCP
		AUDIO IN	Audio in (Ø 3.5 mm stereo jack)
		AUDIO OUT	Audio out (Ø 3.5 mm stereo jack)
		DIGITAL AUDIO OUTPUT	Optical Digital audio output x 1 (PCM/Dolby Digital)
		ETHERNET	Network connector
		USB 1	Photo/Music mode, Software update
		USB 2	Photo/Music mode, Software update
	Back panel horizontal inputs	INPUT 1	COMPONENT in
		ANT/CABLE	75 Ω Unbalance, F Type x 1 for Analog (VHF/UHF/CATV) and Digital (AIR/CABLE)
		RS-232C	9-pin D-sub male connector
OSD language		English/French/Spanish	
Power Requirement		AC 120 V, 60 Hz	
Power Consumption		170 W (0.5 W Standby with AC 120 V)	230 W (0.5 W Standby with AC 120 V)
Weight	TV + stand	66.1 lbs./30.0 kg	95.9 lbs./43.5 kg
	TV only	54.0 lbs./24.5 kg	71.7 lbs./32.5 kg
Dimension ^{*2} (W x H x D)	TV + stand	49 ³⁷ / ₆₄ x 33 ²⁹ / ₃₂ x 13 ²⁵ / ₆₄ inch	56 ⁵ / ₈ x 38 ²³ / ₆₄ x 14 ¹ / ₂ inch
	TV only	49 ³⁷ / ₆₄ x 31 ⁵⁷ / ₆₄ x 1 ³⁷ / ₆₄ inch	56 ⁵ / ₈ x 35 ⁵⁹ / ₆₄ x 1 ³⁷ / ₆₄ inch
Operating temperature		+32°F to +104°F (0°C to +40°C)	

^{*1} Emergency alert messages via Cable are unreceivable.

^{*2} The dimensional drawings are shown on the inside back cover.

- As part of policy of continuous improvement, SHARP reserves the right to make design and specification changes for product improvement without prior notice. The performance specification figures indicated are nominal values of production units. There may be some deviations from these values in individual units.

Optional Accessory

The listed optional accessory is available for the Liquid Crystal Television. Please purchase it at your nearest shop.

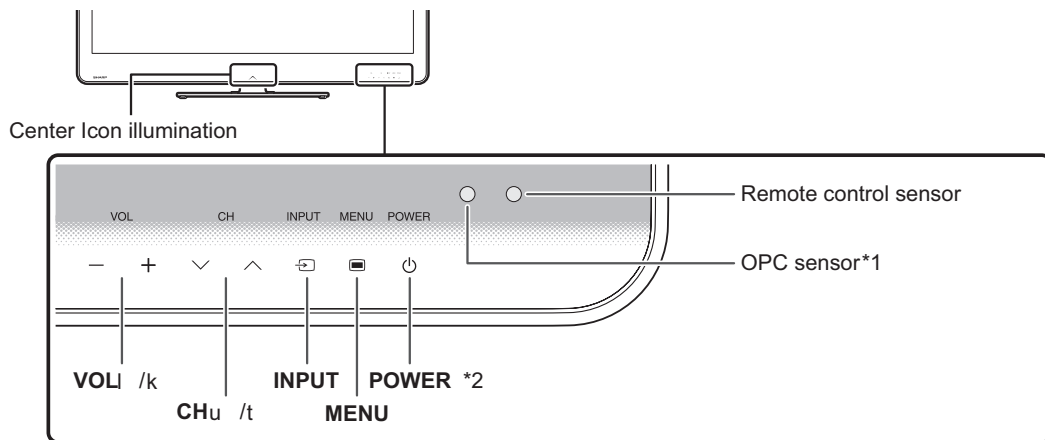
- Additional optional accessories may be available in the near future. When purchasing, please read the newest catalogue for compatibility and check the availability.

Part name	Model number
Wall mount bracket	AN-37AG2 (for LC-40LE810UN)
Attachment	AN-37P30 (for LC-40LE810UN)
Wall mount bracket	AN-52AG4 (for LC-46LE810UN/LC-52LE810UN/LC-60LE810UN)

CHAPTER 2. OPERATION MANUAL

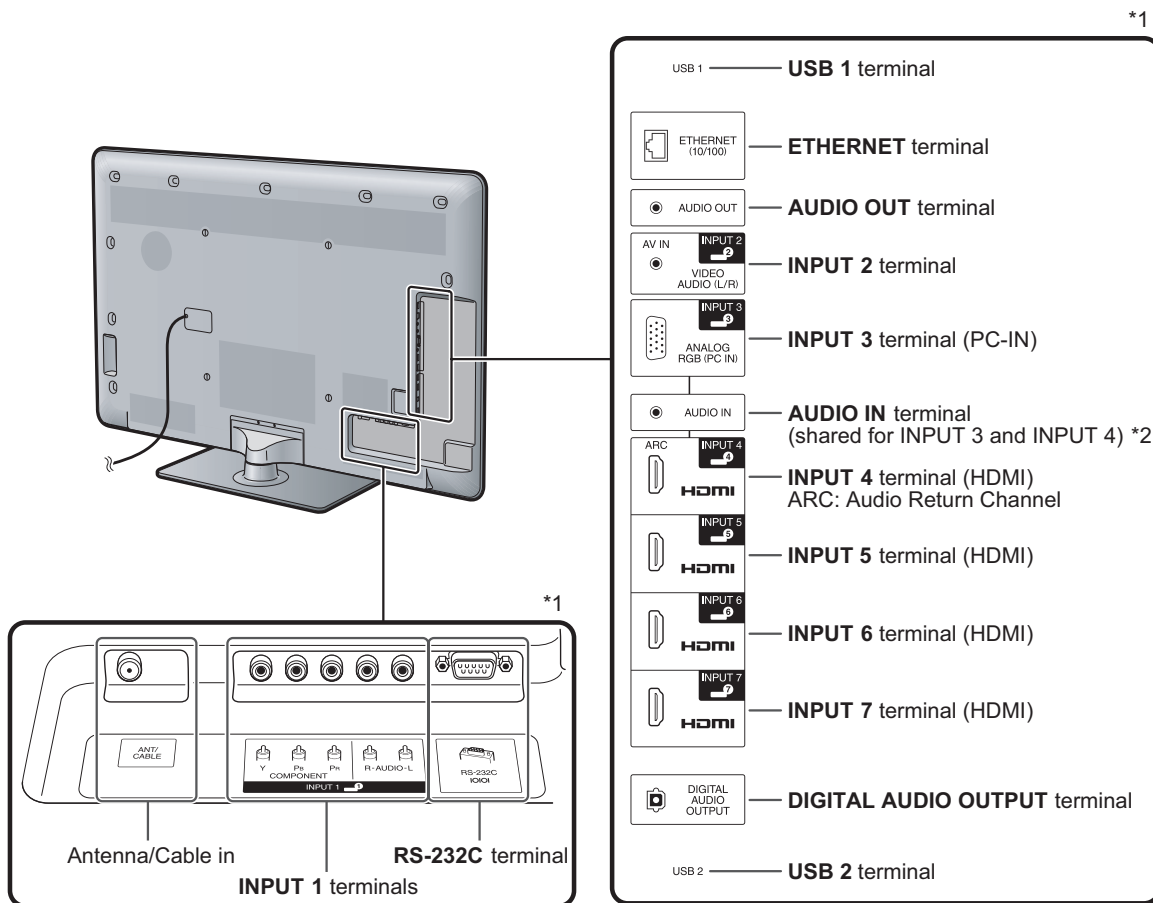
[1] Parts Name

TV (Front)



*1 OPC: Optical Picture Control
 *2 Using the touch sensor panel.

TV (Rear)

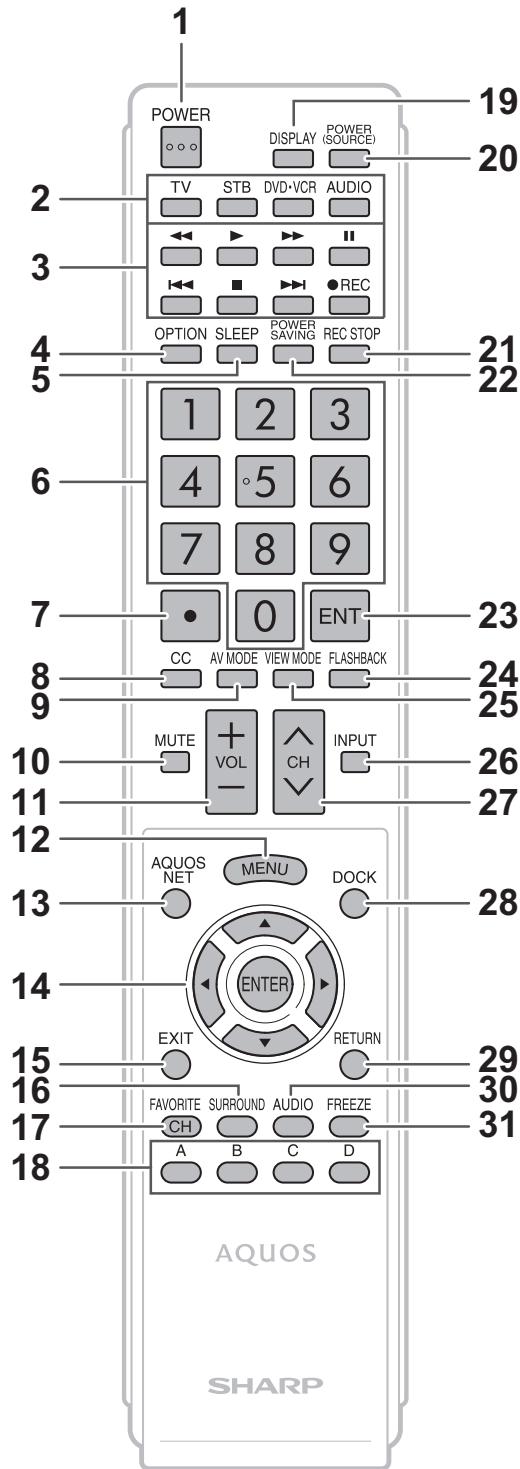


*1 External equipment connection.
 *2 Details on the Audio Select function.

NOTE

- The illustrations in this operation manual are for explanation purposes and may vary slightly from the actual operations.
- The examples used throughout this manual are based on the LC-52LE810UN model.

Remote Control Unit



- 1 **POWER:** Switch the TV power on or enter standby.
- 2 **TV, STB, DVD • VCR, AUDIO:** Switches the remote control for TV, STB, DVD, BD, VCR and AUDIO operation.
* To enter the code registration mode, you need to press an appropriate button (**STB, DVD • VCR** or **AUDIO**) and **DISPLAY** at the same time.
- 3 **External equipment operational buttons:** Operate the external equipment.
- 4 **OPTION:** Display the Link Operation Menu screen. This button will function only when AQUOS LINK is used.
- 5 **SLEEP:** Set the sleep timer.
- 6 **0–9:** Set the channel.
- 7 **• (DOT):**
- 8 **CC:** Display captions from a closed-caption source.
- 9 **AV MODE:** Select an audio or video setting.
- 10 **MUTE:** Mute the sound.
- 11 **VOL +/- :** Set the volume.
- 12 **MENU:** Display the menu screen.
- 13 **AQUOS NET:** Switches the display to the Sidebar Widget, TV + Web, Web or TV screen.
- 14 **▲/▼/◀/▶, ENTER:** Select a desired item on the screen.
- 15 **EXIT:** Turn off the menu screen.
- 16 **SURROUND:** Select Surround settings.
- 17 **FAVORITE CH:** Set the favorite channels.
While watching, you can toggle the selected channels by pressing **A, B, C** and **D**.
- 18 **A, B, C, D:** Select 4 preset favorite channels in 4 different categories.
- 19 **DISPLAY:** Display the channel information.
- 20 **POWER (SOURCE):** Turns the power of the external equipment on and off.
- 21 **REC STOP:** Stops one touch recording. This button will function only when AQUOS LINK is used.
- 22 **POWER SAVING:** Select Power Saving settings.
- 23 **ENT:** Jumps to a channel after selecting with the **0–9** buttons.
- 24 **FLASHBACK:** Return to the previous channel or external input mode.
- 25 **VIEW MODE:** Select the screen size.
- 26 **INPUT:** Select a TV input source. (TV, INPUT 1, INPUT 2, INPUT 3, INPUT 4, INPUT 5, INPUT 6, INPUT 7)
- 27 **CH ^/v:** Select the channel.
- 28 **DOCK:** Display the DOCK.
- 29 **RETURN:** Return to the previous menu screen.
- 30 **AUDIO:** Selects the MTS/SAP or the audio mode during multi-channel audio broadcasts.
- 31 **FREEZE:** Set the still image. Press again to return to normal screen.

NOTE

- When using the remote control unit, point it at the TV.

[2] OPERATION MANUAL

Attaching the Stand

- Before attaching (or detaching) the stand, unplug the AC cord.
- Before performing work spread cushioning over the base area to lay the TV on. This will prevent it from being damaged.

CAUTION

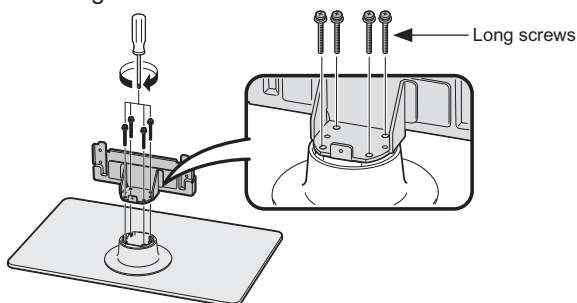
- **Attach the stand in the correct direction.**
- **Do not remove the stand from the TV unless using an optional wall mount bracket to mount it.**
- **Be sure to follow the instructions. Incorrect installation of the stand may result in the TV falling over.**

- 1** Confirm that there are 9 screws (5 short screws and 4 long screws) supplied with the stand unit.

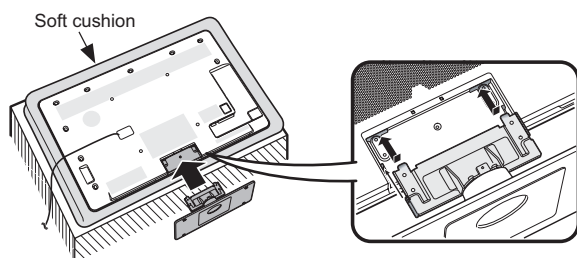


- 2** Attach the supporting post for the stand unit onto the base using the box for the stand unit as shown below.

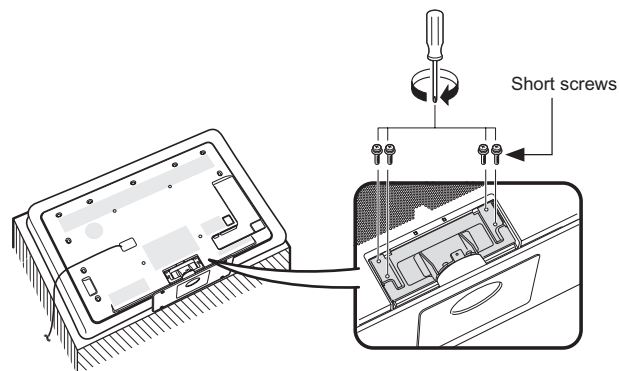
- The supporting post attaches to the base at an off-centered location on the base. Be sure to attach the supporting post in the direction indicated below and attach the stand to the TV with the wider side of the base facing forward.



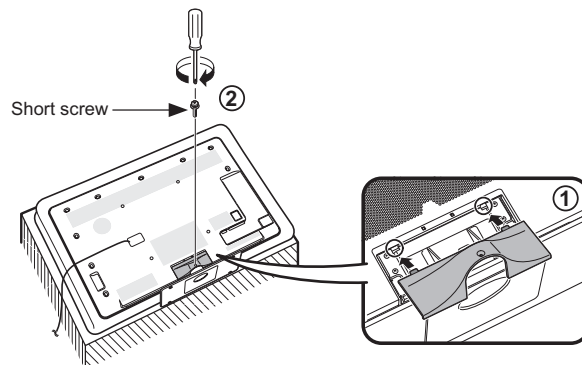
- 3** Insert the stand into the openings on the rear of the TV.



- 4** Insert and tighten the 4 screws into the 4 holes on the rear of the stand unit.



- 5** ① Insert the stand cover.
② Insert the screw to secure the stand cover.

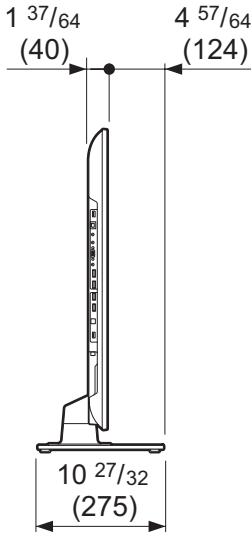
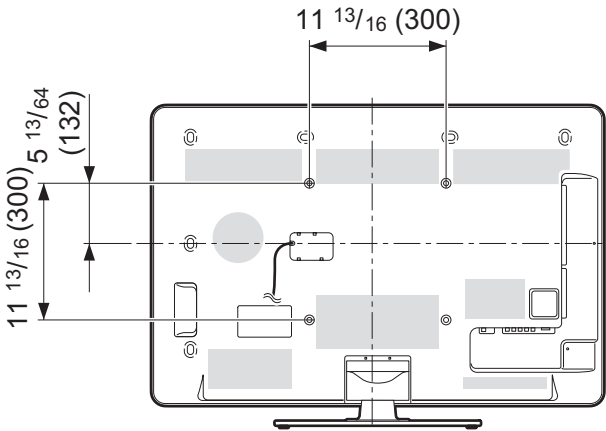
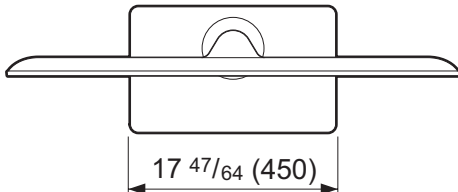
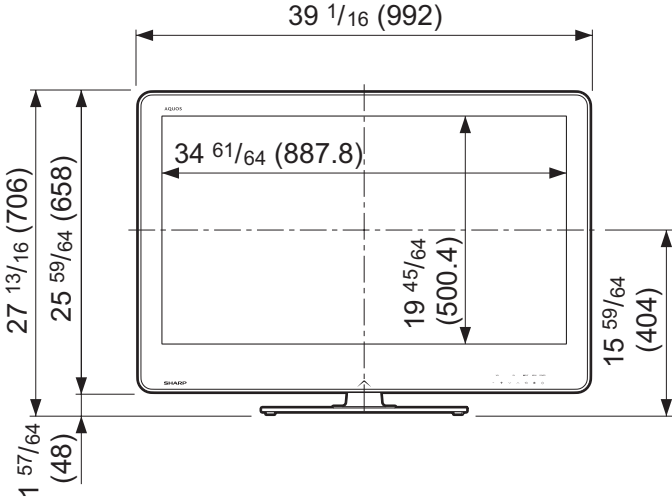


NOTE • To detach the stand, perform the steps in reverse order.

CHAPTER 3. DIMENSIONS

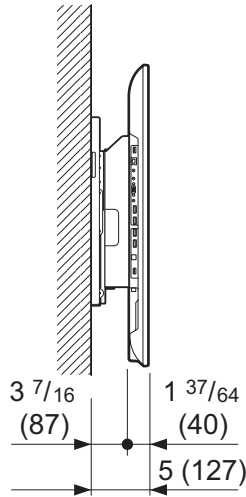
[1] DIMENSIONS (LC-40LE810UN)

Unit: inch (mm)



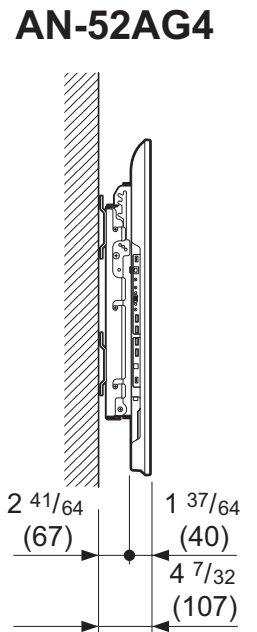
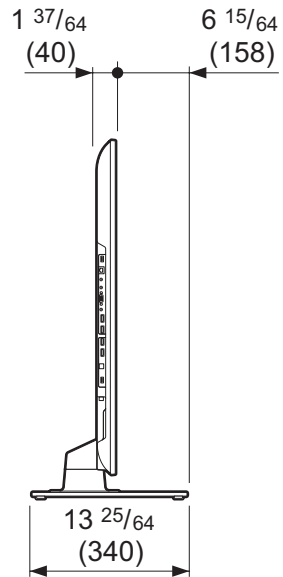
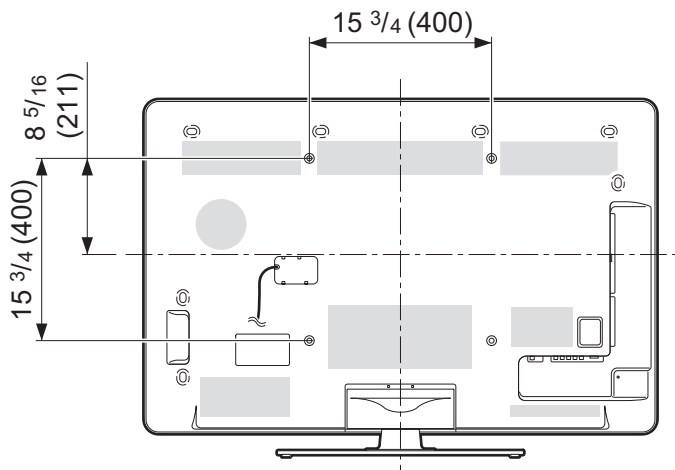
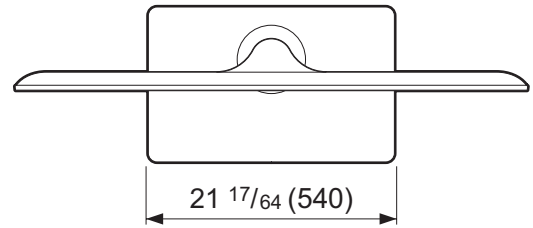
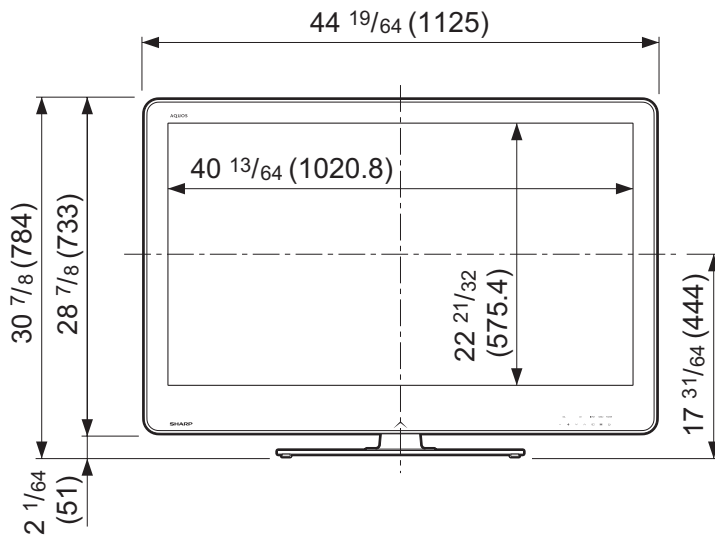
AN-37P30

AN-37AG2



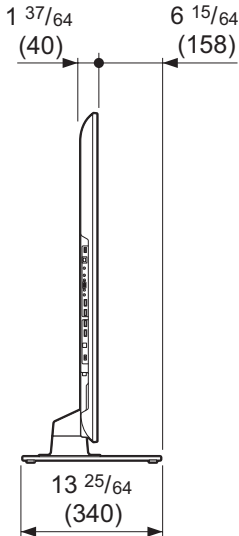
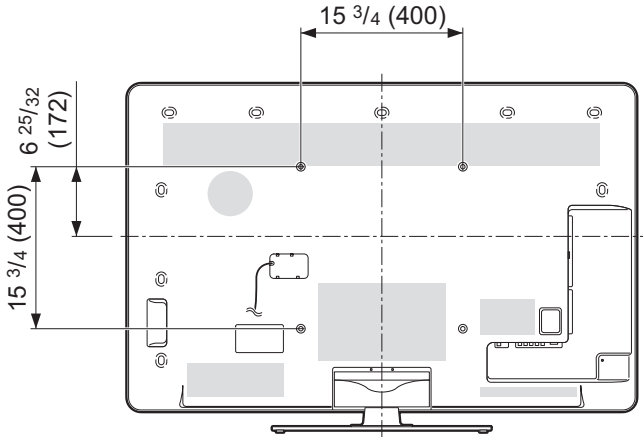
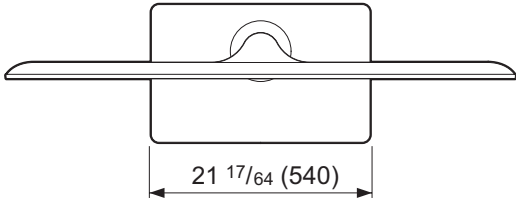
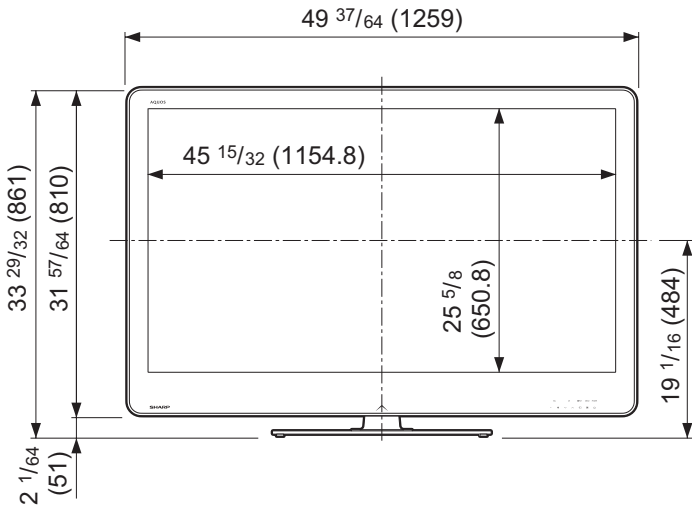
[2] DIMENSIONS (LC-46LE810UN)

Unit: inch (mm)

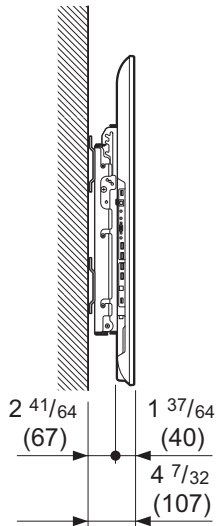


[3] DIMENSIONS (LC-52LE810UN)

Unit: inch (mm)

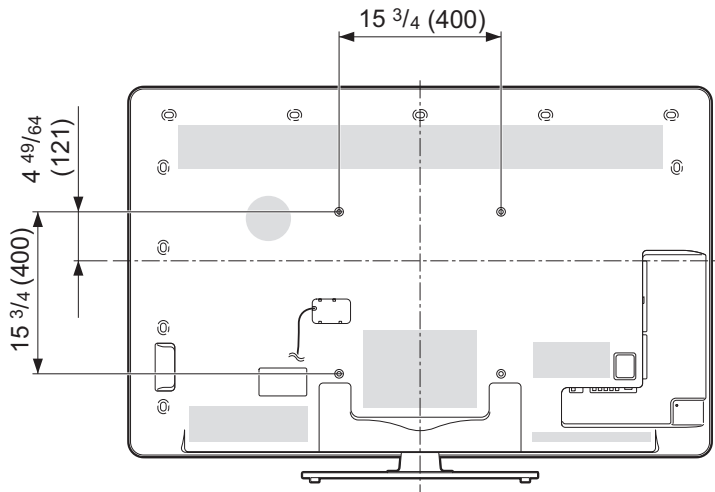
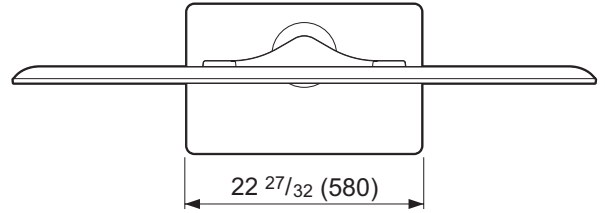
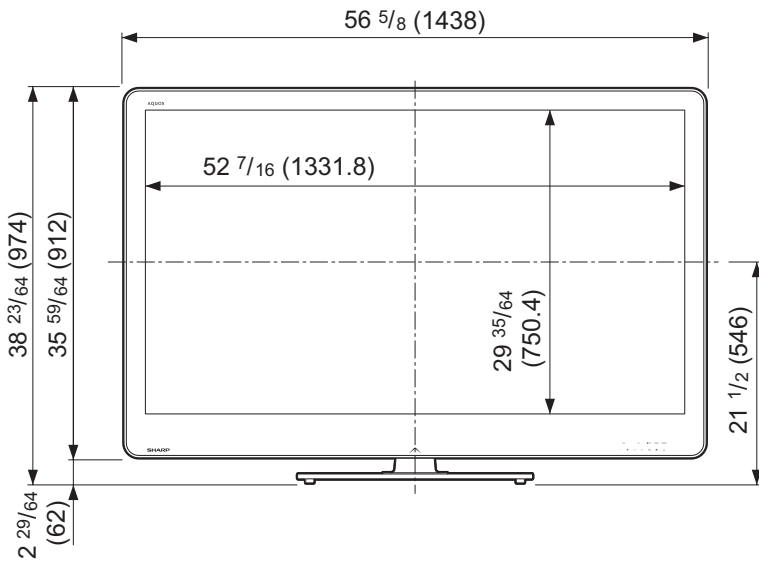


AN-52AG4



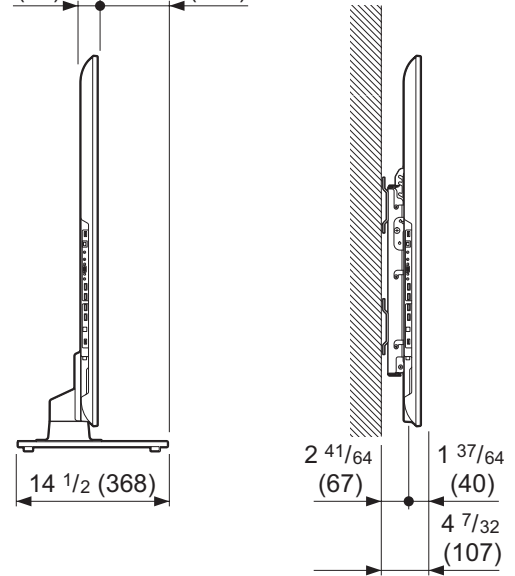
[4] DIMENSIONS (LC-60LE810UN)

Unit: inch (mm)



$1 \frac{37}{64}$ (40) $6 \frac{55}{64}$ (174)

AN-52AG4

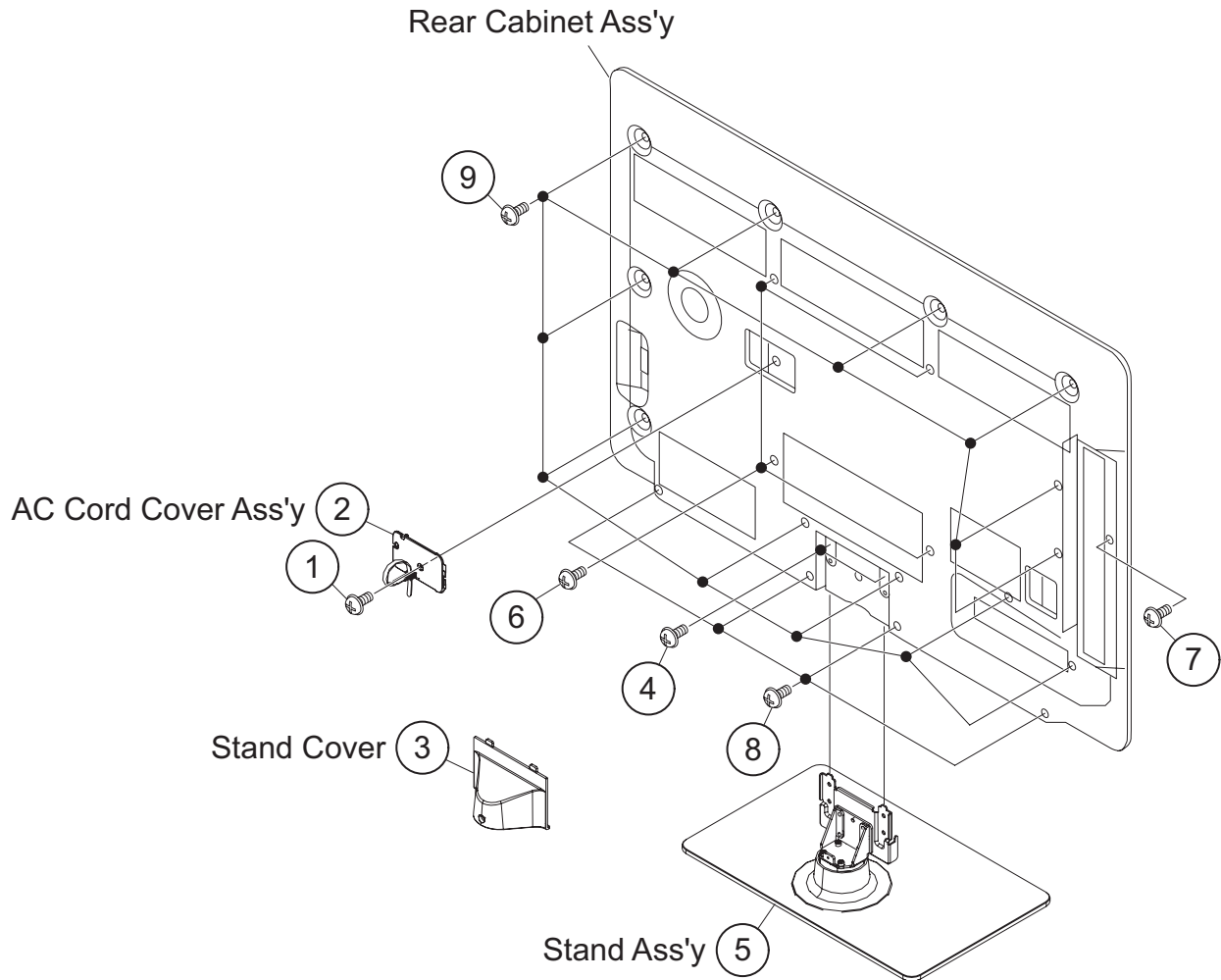


CHAPTER 4. REMOVING OF MAJOR PARTS

[1] REMOVING OF MAJOR PARTS (LC-40LE810UN)

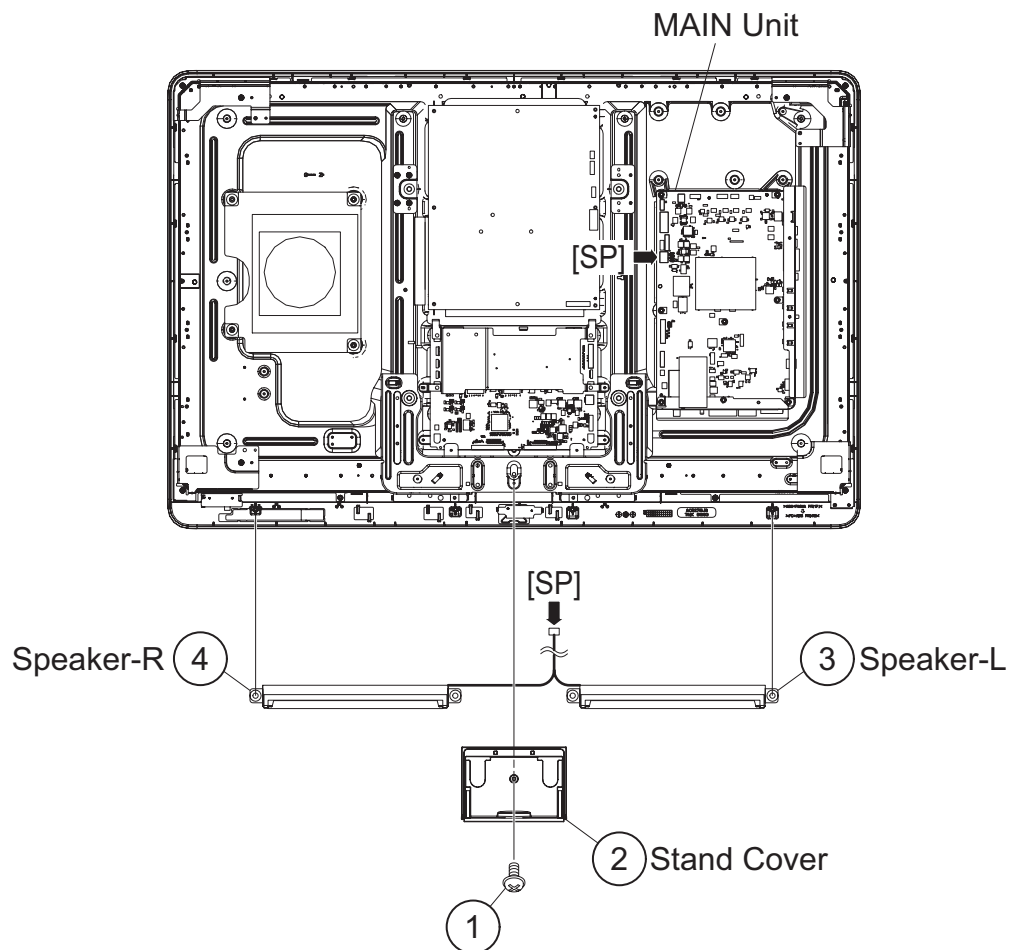
1. Removing of Stand Unit and Rear Cabinet Ass'y.

1. Remove the 1 lock screw ① and detach the AC cord cover ②.
2. Detach the Stand cover ③.
3. Remove the 2 lock screw ④ and detach the Stand Ass'y ⑤.
4. Remove the 4 lock screw ⑥, 1 lock screw ⑦, 4 lock screws ⑧ and 12 lock screws ⑨ and detach the Rear Cabinet Ass'y.



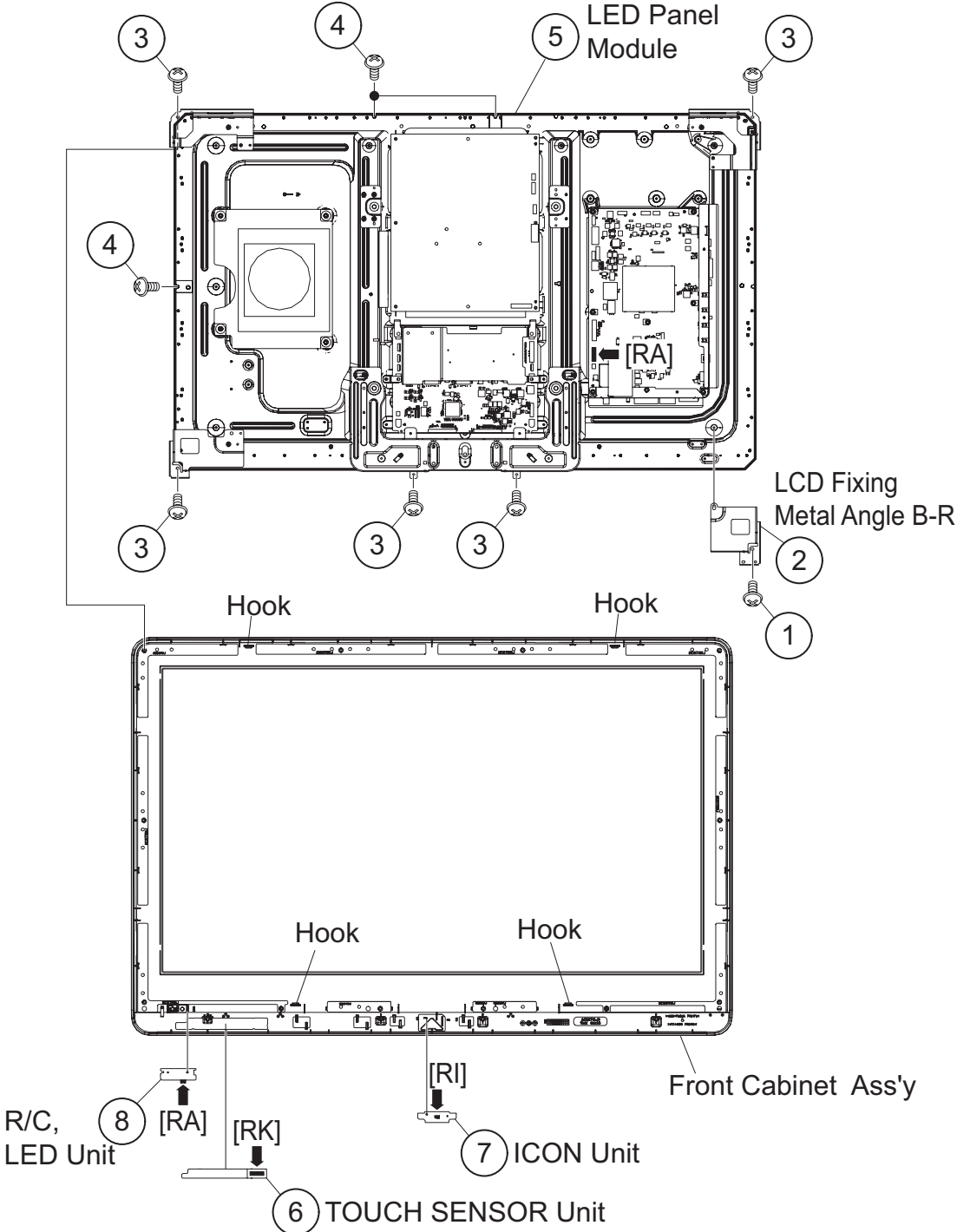
2. Removing of Speaker-L/R.

1. Remove the 1 lock screw ① and detach the Stand cover ②.
2. Disconnect SP wire.
3. Detach the Speaker-L ③, Speaker-R ④.



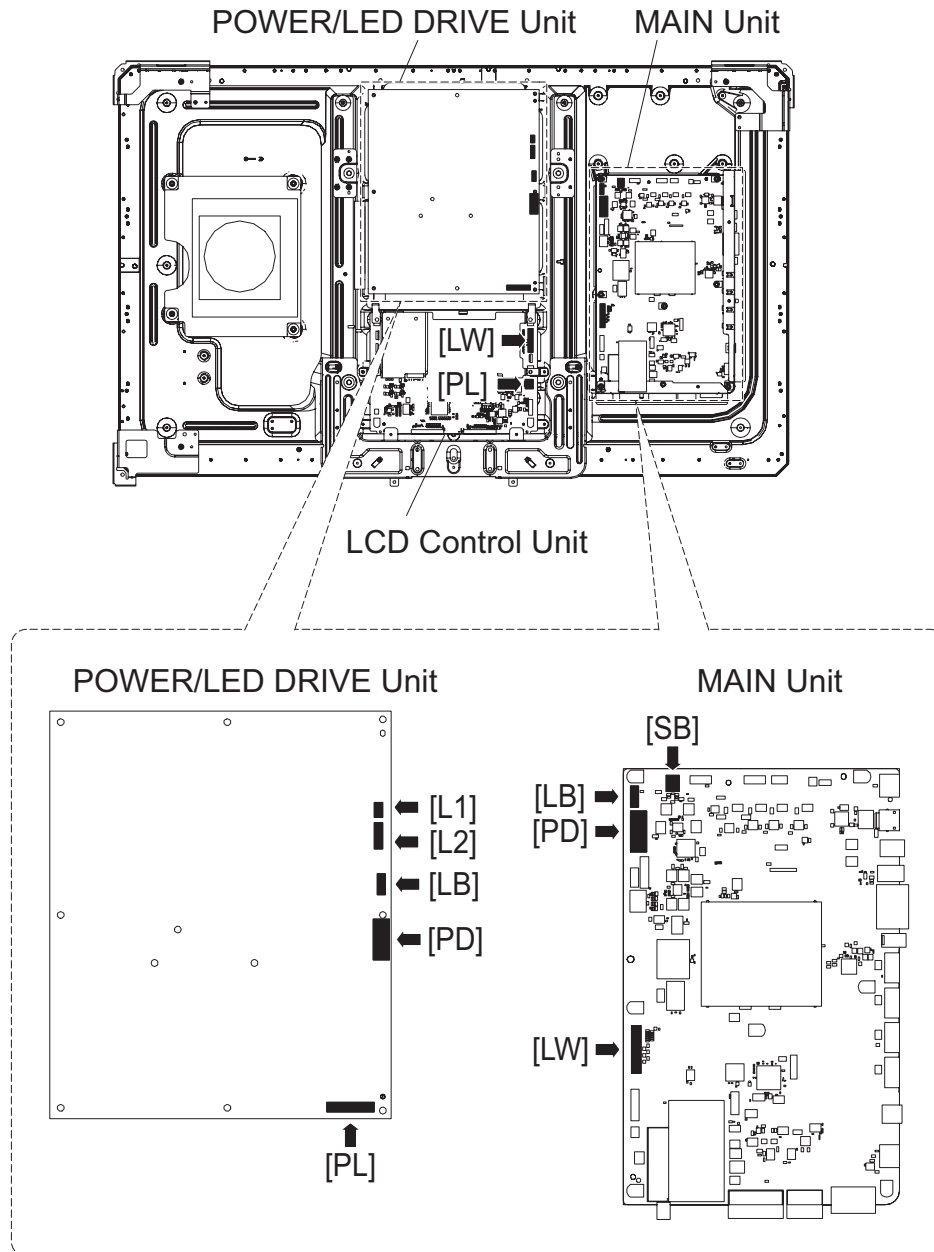
3. Removing of LCD Panel Module, TOUCH SENSOR Unit, ICON Unit, R/C, LED Unit, Front Cabinet Ass'y.

- 1. Remove the 1 lock screw ① and detach the LCD Fixing Metal Angle B-R ②.
- 2. Remove the 5 lock screws ③, 3 lock screws ④, 4 Hooks and detach the LCD Panel Module ⑤
- 3. Disconnect RA wire.
- 4. Disconnect Touch Sensor Unit ⑥.
- 5. Detach the ICON Unit ⑦.
- 6. Detach the R/C, LED Unit ⑧.



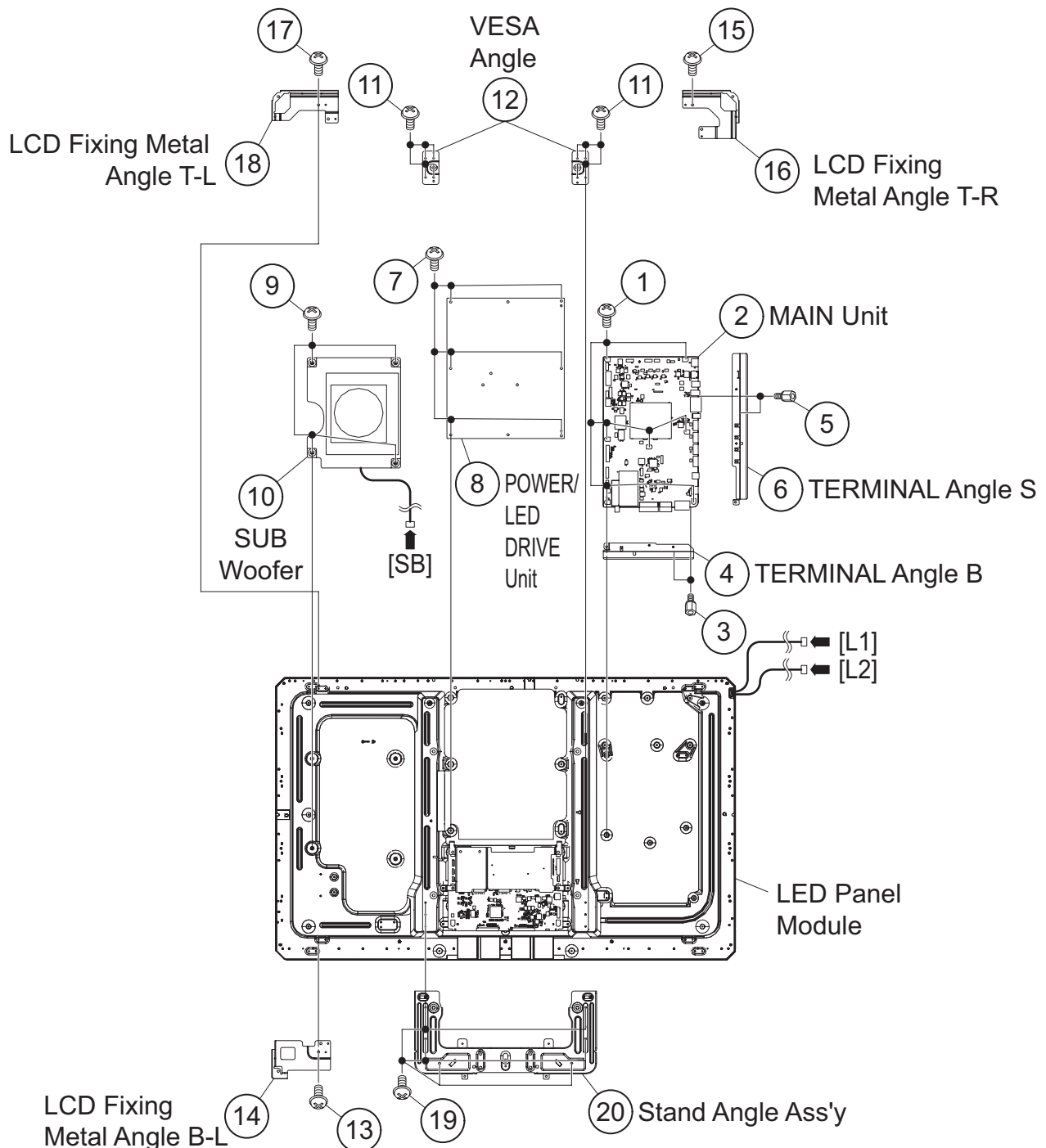
4. Removing of Connectors

1. Disconnect the following connectors from the MAIN Unit. (SB, LB, PD, LW)
2. Disconnect the following connectors from the POWER/ LED DRIVE Unit. (L1, L2, LB, PD)
3. Disconnect the following connectors from the LCD Control Unit. (LW, PL)



5. Removing of MAIN Unit, POWER/LED DRIVE Unit, Sub Woofer, Stand Angle Ass'y

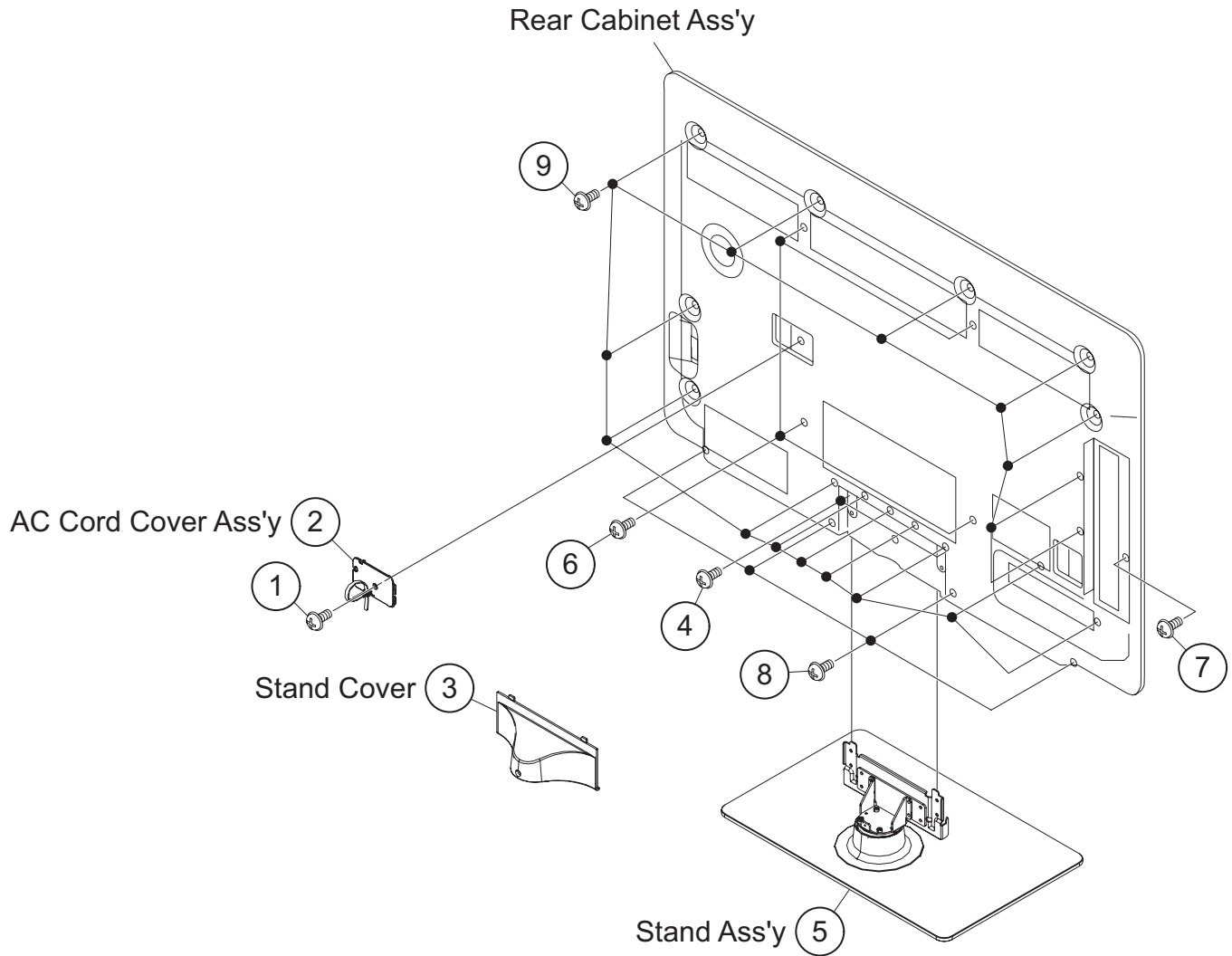
1. Remove the 7 lock screws ① and detach the MAIN Unit ②
2. Remove the 2 lock screws ③ and detach the TERMINAL Angle B ④.
3. Remove the 2 lock screws ⑤ and detach the TERMINAL Angle S ⑥.
4. Remove the 6 lock screws ⑦ and detach the POWER/LED DRIVER Unit ⑧.
5. Remove the 4 lock screws ⑨ and detach the Sub Woofer ⑩.
6. Remove the 8 lock screws ⑪ and detach the 2 VESA Angle ⑫.
7. Remove the 1 lock screw ⑬ and detach the LCD Fixing Metal Angle B-L ⑭.
8. Remove the 1 lock screw ⑮ and detach the LCD Fixing Metal Angle T-R ⑯.
9. Remove the 1 lock screw ⑰ and detach the LCD Fixing Metal Angle T-L ⑱.



[2] REMOVING OF MAJOR PARTS (LC-46LE810UN)

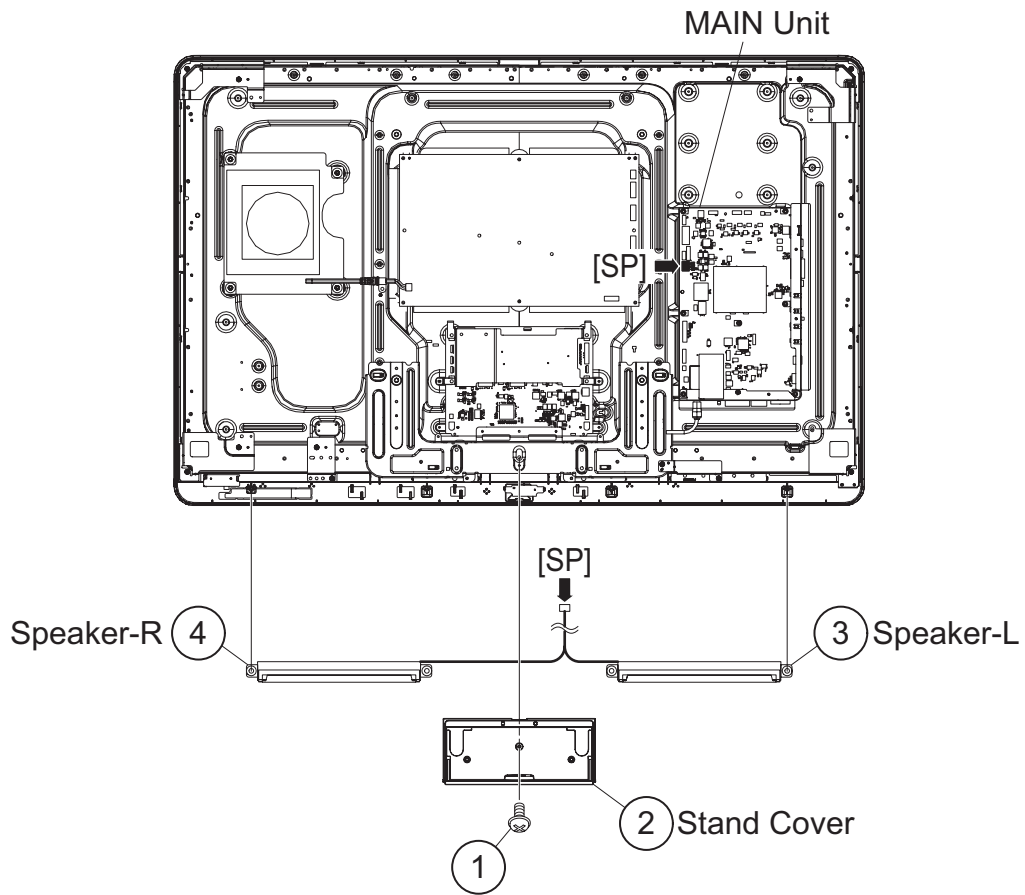
1. Removing of Stand Unit and Rear Cabinet Ass'y.

1. Remove the 1 lock screw ① and detach the AC code cover Ass'y ②.
2. Detach the Stand cover ③.
3. Remove the 2 lock screws ④ and detach the Stand Ass'y ⑤.
4. Remove the 4 lock screws ⑥, 1 lock screw ⑦, 4 lock screws ⑧ and 16 lock screws ⑨ and detach the Rear Cabinet Ass'y.



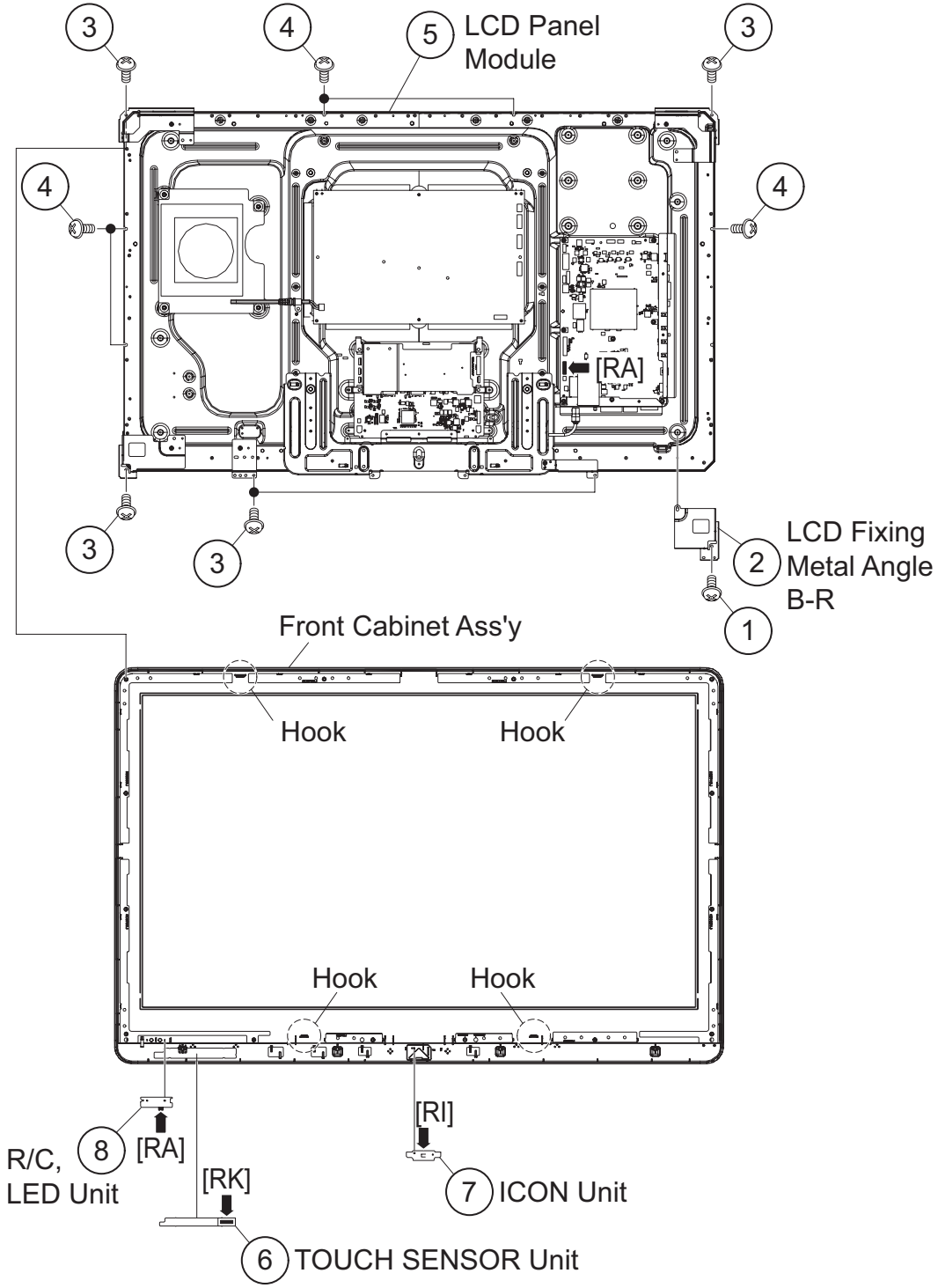
2. Removing of Speaker-L/R.

1. Remove the 1 lock screw ① and detach the Stand cover ②.
2. Disconnect SP wire.
3. Detach the Speaker-L ③, Speaker-R ④.



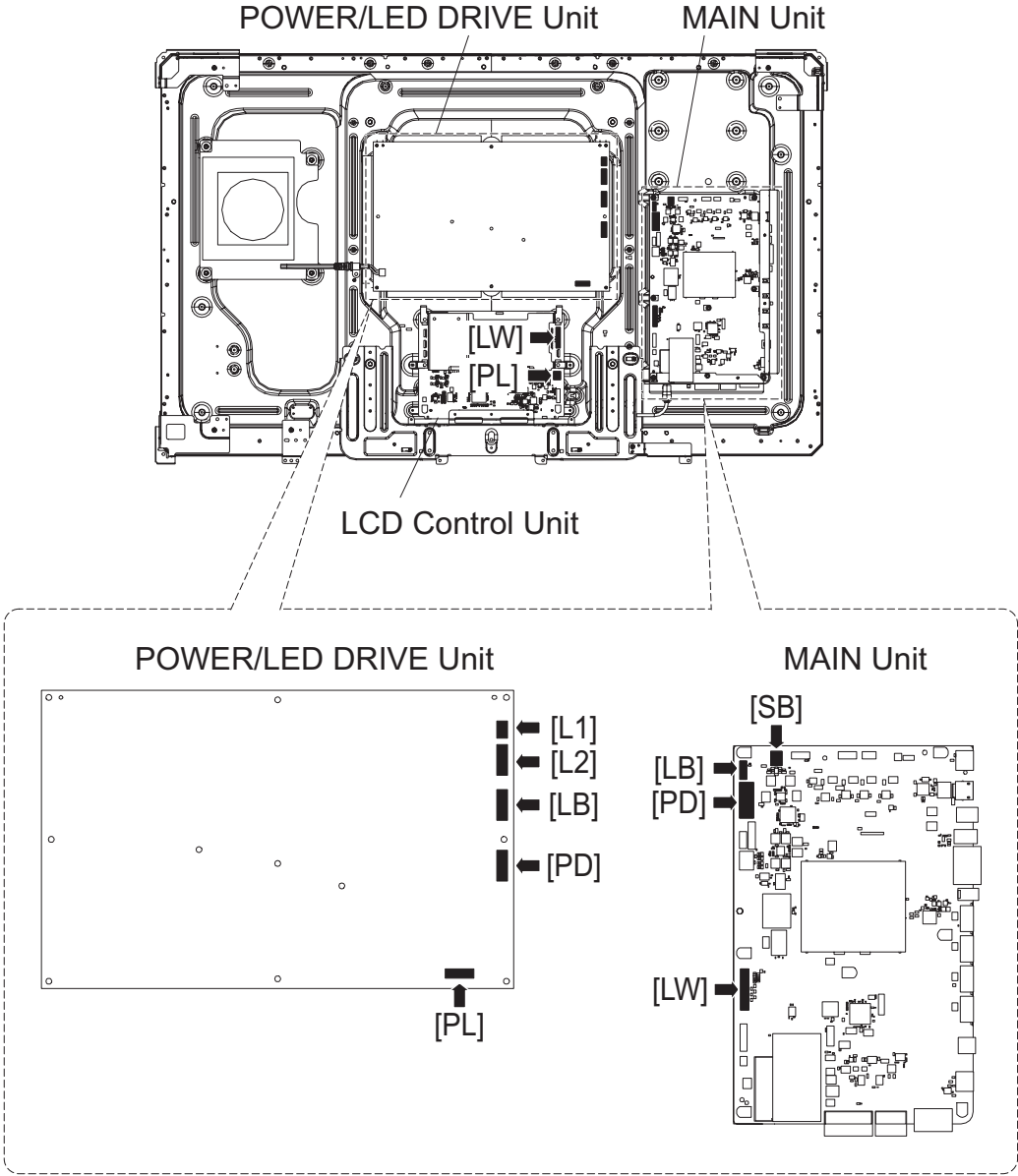
3. Removing of LCD Panel Module, TOUCH SENSOR Unit, ICON Unit, R/C, LED Unit, Front Cabinet Ass'y.

1. Remove the 1 lock screw ① and detach the LCD Fixing Metal Angle B-R ②.
2. Remove the 5 lock screws ③, 5 lock screws ④, 4 Hooks and detach the LCD Panel Module ⑤
3. Disconnect RA wire.
4. Detach the Touch Sensor Unit ⑥.
5. Detach the ICON Unit ⑦.
6. Detach the R/C, LED Unit ⑧.



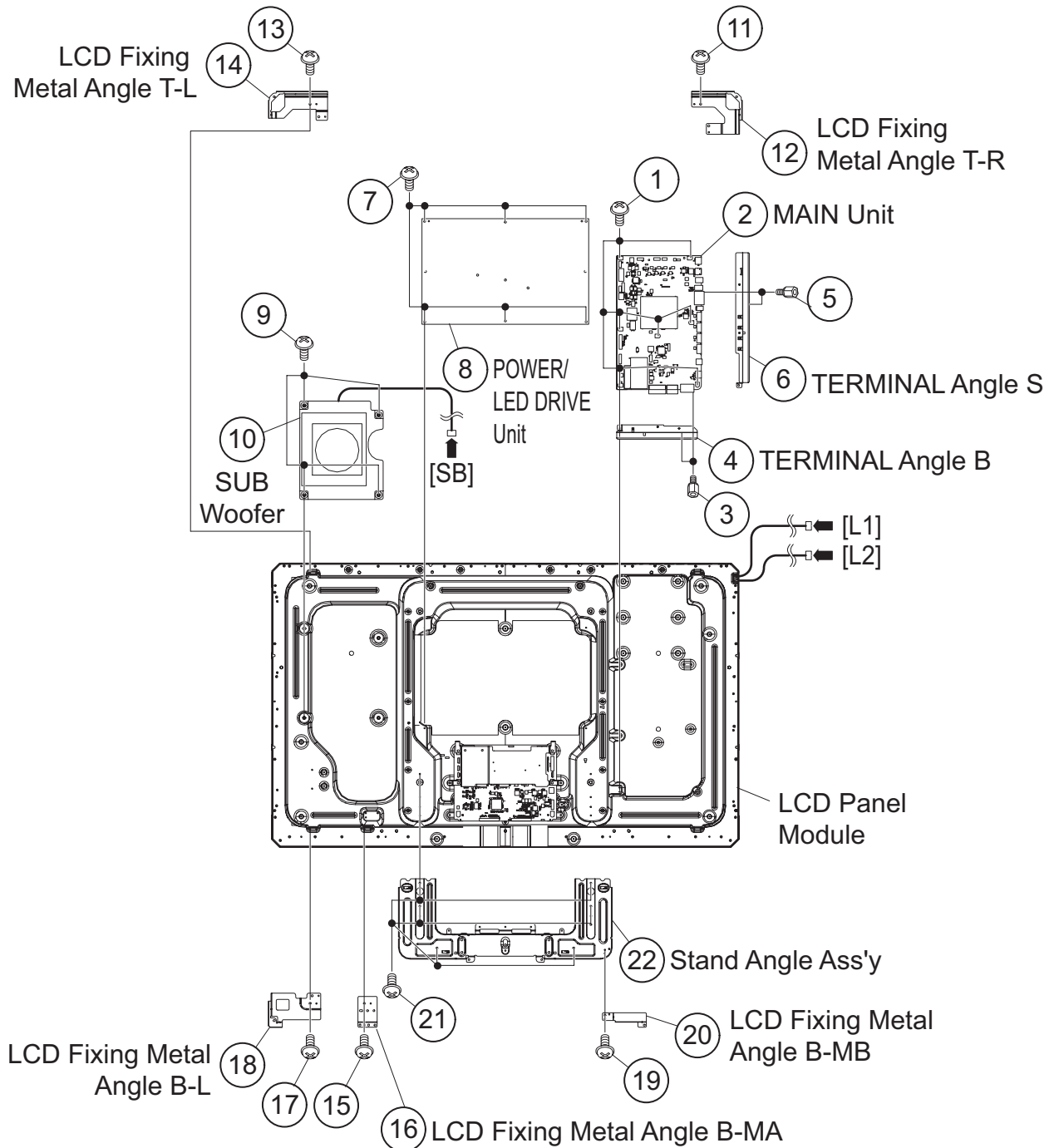
4. Removing of Connectors

- 1. Disconnect the following connectors from the MAIN Unit. (SB, LB, PD, LW)
- 2. Disconnect the following connectors from the POWER/ LED DRIVE Unit. (L1, L2, LB, PD, PL)
- 3. Disconnect the following connectors from the LCD Control Unit. (LW, PL)



5. Removing of MAIN Unit, POWER/LED DRIVE Unit, Sub Woofer, Stand Angle Ass'y

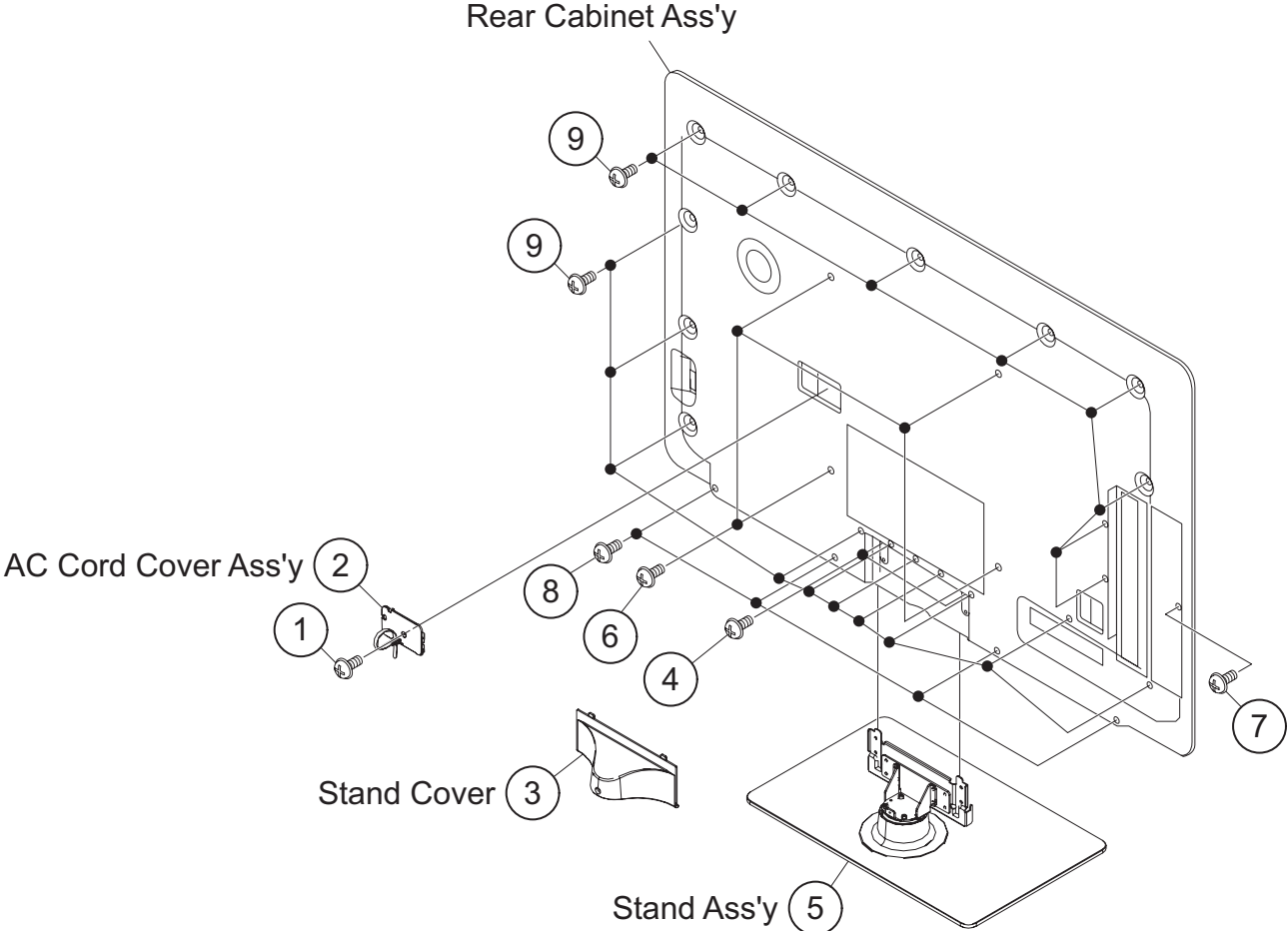
1. Remove the 7 lock screws ① and detach the MAIN Unit ②
2. Remove the 2 lock screws ③ and detach the TERMINAL Angle B ④.
3. Remove the 2 lock screws ⑤ and detach the TERMINAL Angle S ⑥.
4. Remove the 6 lock screws ⑦ and detach the POWER/LED DRIVER Unit ⑧.
5. Remove the 4 lock screws ⑨ and detach the Sub Woofer ⑩.
6. Remove the 1 lock screw ⑪ and detach the LCD Fixing Metal Angle B-R ⑫.
7. Remove the 1 lock screw ⑬ and detach the LCD Fixing Metal Angle T-L ⑭.
8. Remove the 1 lock screw ⑮ and detach the LCD Fixing Metal Angle B-MA ⑯.
9. Remove the 1 lock screw ⑰ and detach the LCD Fixing Metal Angle B-L ⑱.
10. Remove the 1 lock screw ⑲ and detach the LCD Fixing Metal Angle B-MB ⑳.
11. Remove the 6 lock screws ㉑ and detach the Stand Angle Ass'y ㉒.



[3] REMOVING OF MAJOR PARTS (LC-52LE810UN)

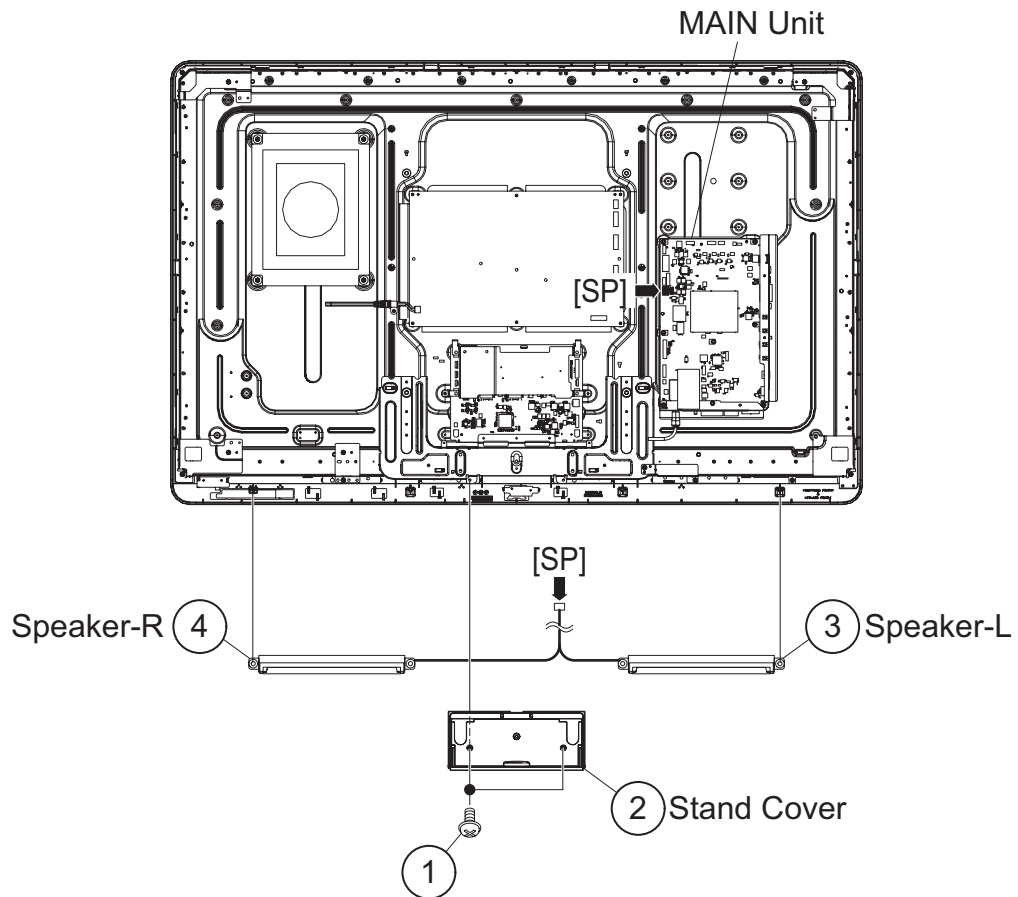
1. Removing of Stand Unit and Rear Cabinet Ass'y.

- 1. Remove the 1 lock screw ① and detach the AC cord cover Ass'y ②.
- 2. Detach the Stand cover ③.
- 3. Remove the 2 lock screws ④ and detach the Stand Ass'y ⑤.
- 4. Remove the 4 lock screws ⑥, 1 lock screw ⑦, 4 lock screws ⑧ and 18 lock screws ⑨ and detach the Rear Cabinet Ass'y.



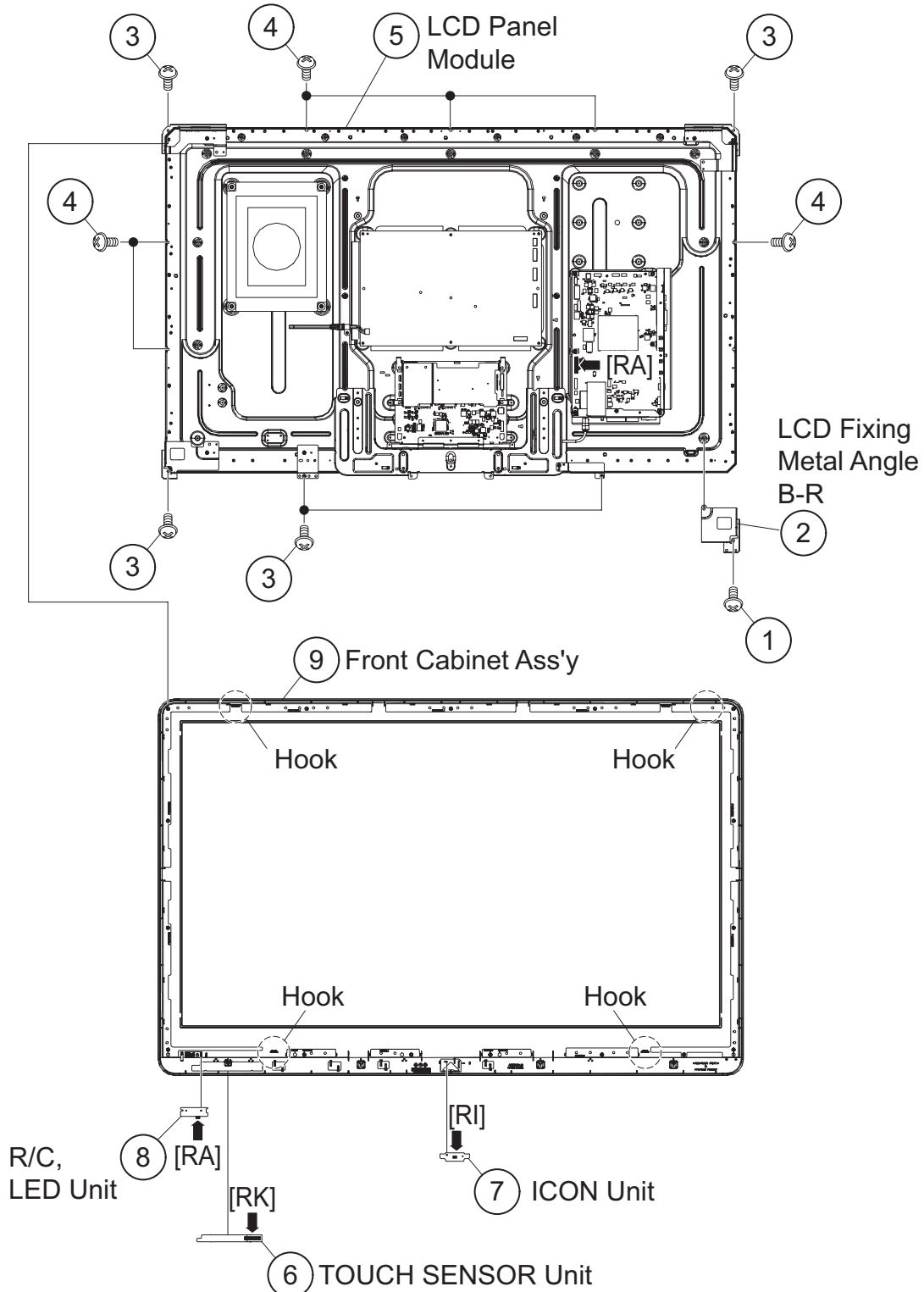
2. Removing of Speaker-L/R.

1. Remove the 2 lock screws ① and detach the Stand cover ②.
2. Disconnect SP wire.
3. Detach the Speaker-L ③, Speaker-R ④.



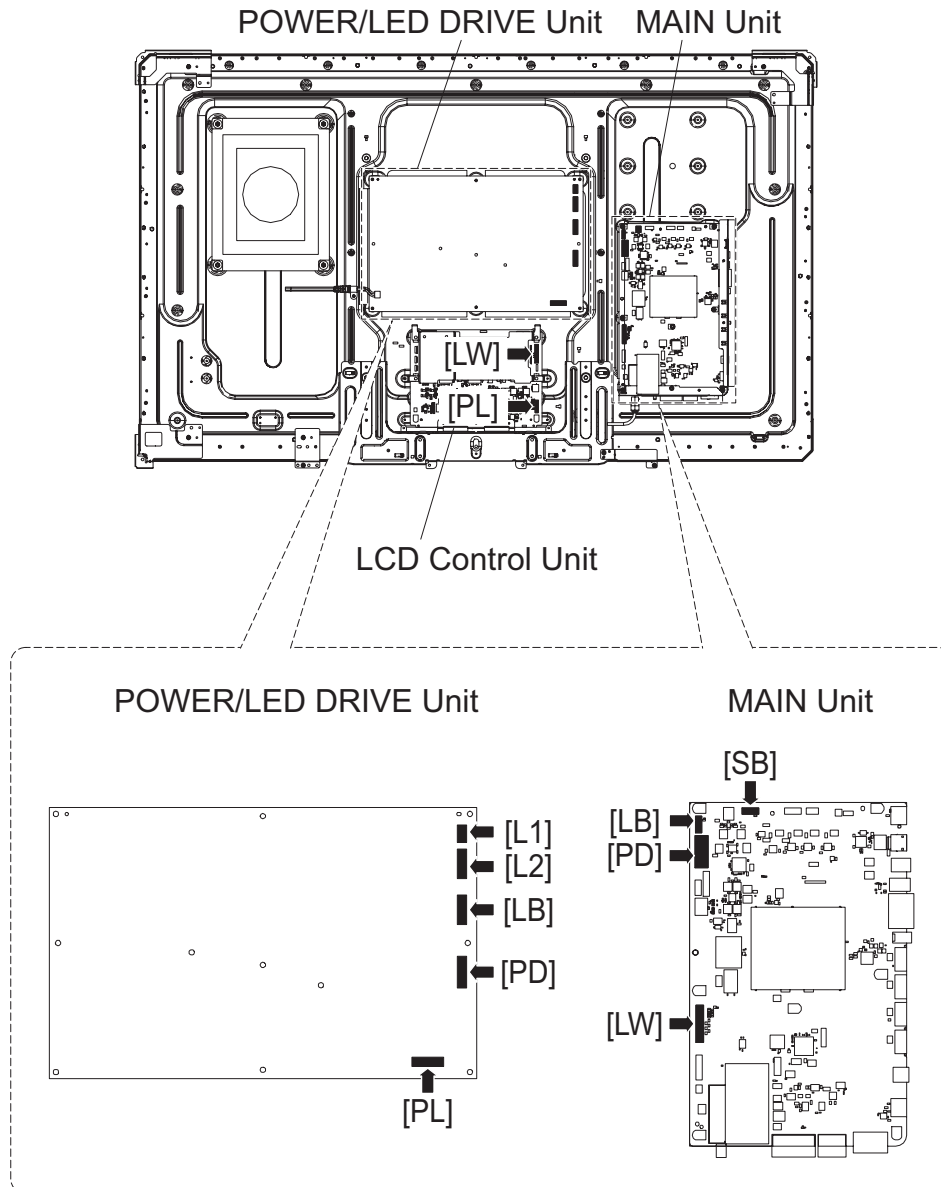
3. Removing of LCD Panel Module, TOUCH SENSOR Unit, ICON Unit, R/C, LED Unit, Front Cabinet Ass'y.

1. Remove the 1 lock screw ① and detach the LCD Fixing Metal Angle B-R ②.
2. Remove the 5 lock screws ③, 6 lock screws ④, 4 Hooks and detach the LCD Panel Module ⑤
3. Disconnect RA wire.
4. Detach the Touch Sensor Unit ⑥.
5. Detach the ICON Unit ⑦.
6. Detach the R/C, LED Unit ⑧.



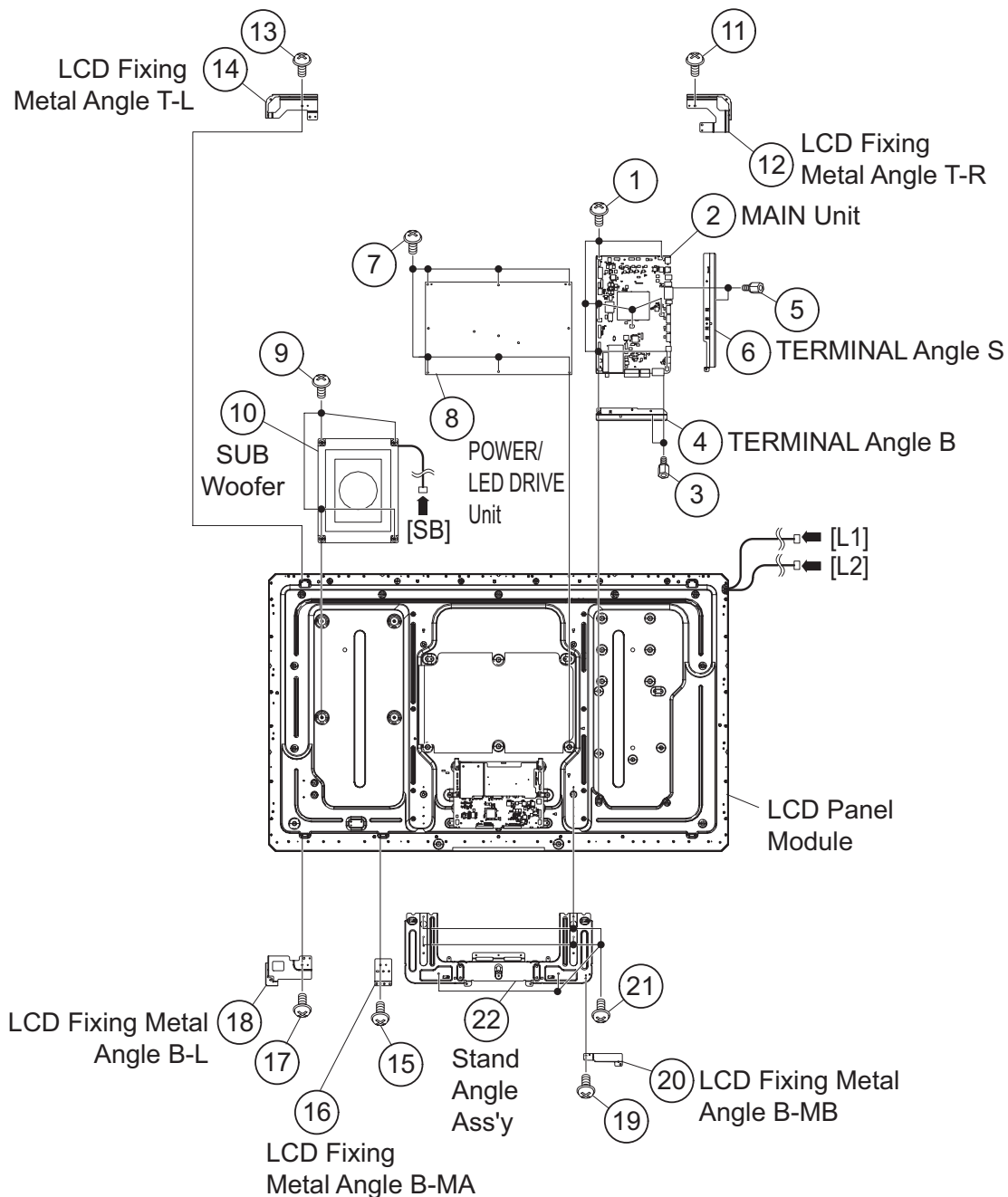
4. Removing of Connectors

1. Disconnect the following connectors from the MAIN Unit. (SB, LB, PD, LW)
2. Disconnect the following connectors from the POWER/ LED DRIVE Unit. (L1, L2, LB, PD, PL)
3. Disconnect the following connectors from the LCD Control Unit. (LW, PL)



5. Removing of MAIN Unit, POWER/LED DRIVE Unit, Sub Woofer, Stand Angle Ass'y

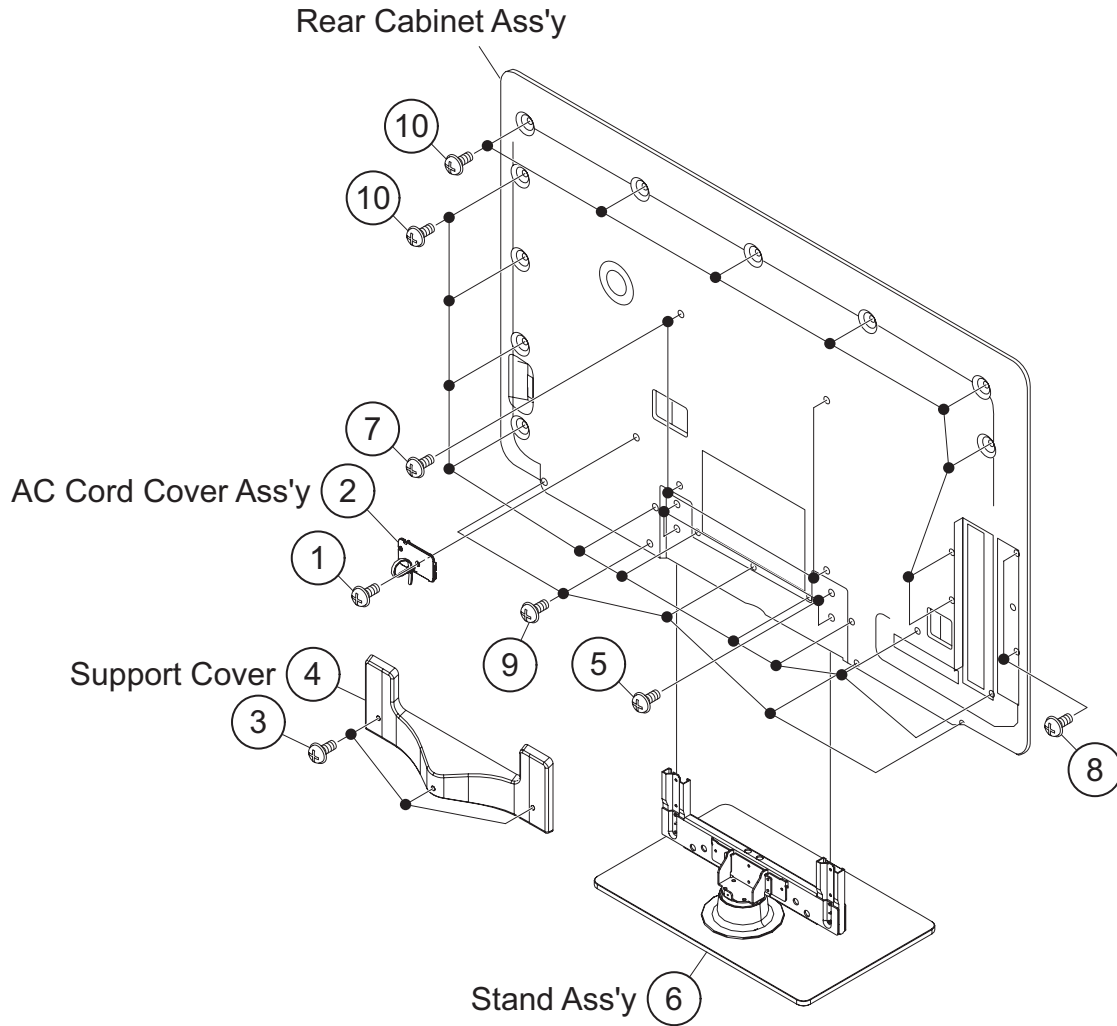
1. Remove the 7 lock screws ① and detach the MAIN Unit ②
2. Remove the 2 lock screws ③ and detach the TERMINAL Angle B ④.
3. Remove the 2 lock screws ⑤ and detach the TERMINAL Angle S ⑥.
4. Remove the 6 lock screws ⑦ and detach the POWER/LED DRIVER Unit ⑧.
5. Remove the 4 lock screws ⑨ and detach the Sub Woofer ⑩.
6. Remove the 1 lock screw ⑪ and detach the LCD Fixing Metal Angle B-R ⑫.
7. Remove the 1 lock screw ⑬ and detach the LCD Fixing Metal Angle T-L ⑭.
8. Remove the 1 lock screw ⑮ and detach the LCD Fixing Metal Angle B-MA ⑯.
9. Remove the 1 lock screw ⑰ and detach the LCD Fixing Metal Angle B-L ⑱.
10. Remove the 1 lock screw ⑲ and detach the LCD Fixing Metal Angle B-MB ⑳.
11. Remove the 6 lock screws ㉑ and detach the Stand Angle Ass'y ㉒.



[4] REMOVING OF MAJOR PARTS (LC-60LE810UN)

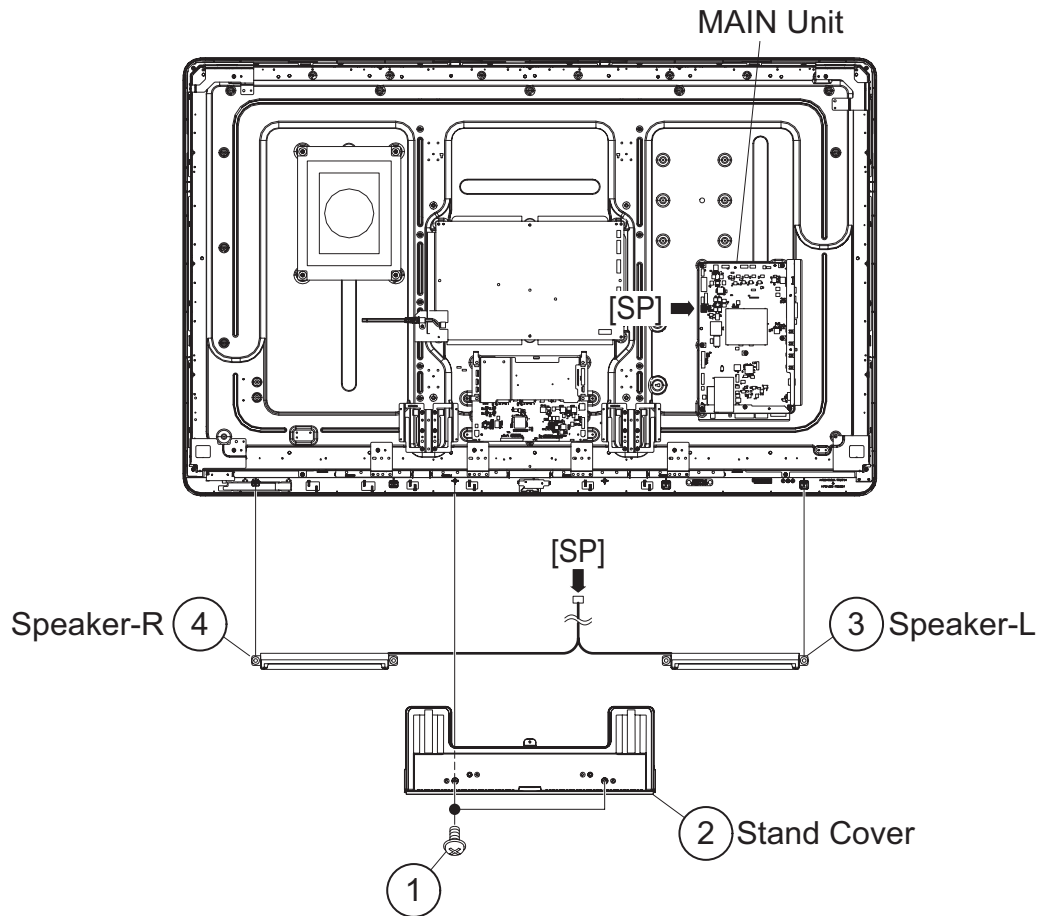
1. Removing of Stand Unit and Rear Cabinet Ass'y.

1. Remove the 1 lock screw ① and detach the AC code cover Ass'y ②.
2. Remove the 3 lock screws ③ and detach the Support Cover ④.
3. Remove the 4 lock screws ⑤ and detach the Stand Ass'y ⑥.
4. Remove the 4 lock screws ⑦, 1 lock screw ⑧, 5 lock screws ⑨ and 18 lock screws ⑩ and detach the Rear Cabinet Ass'y.



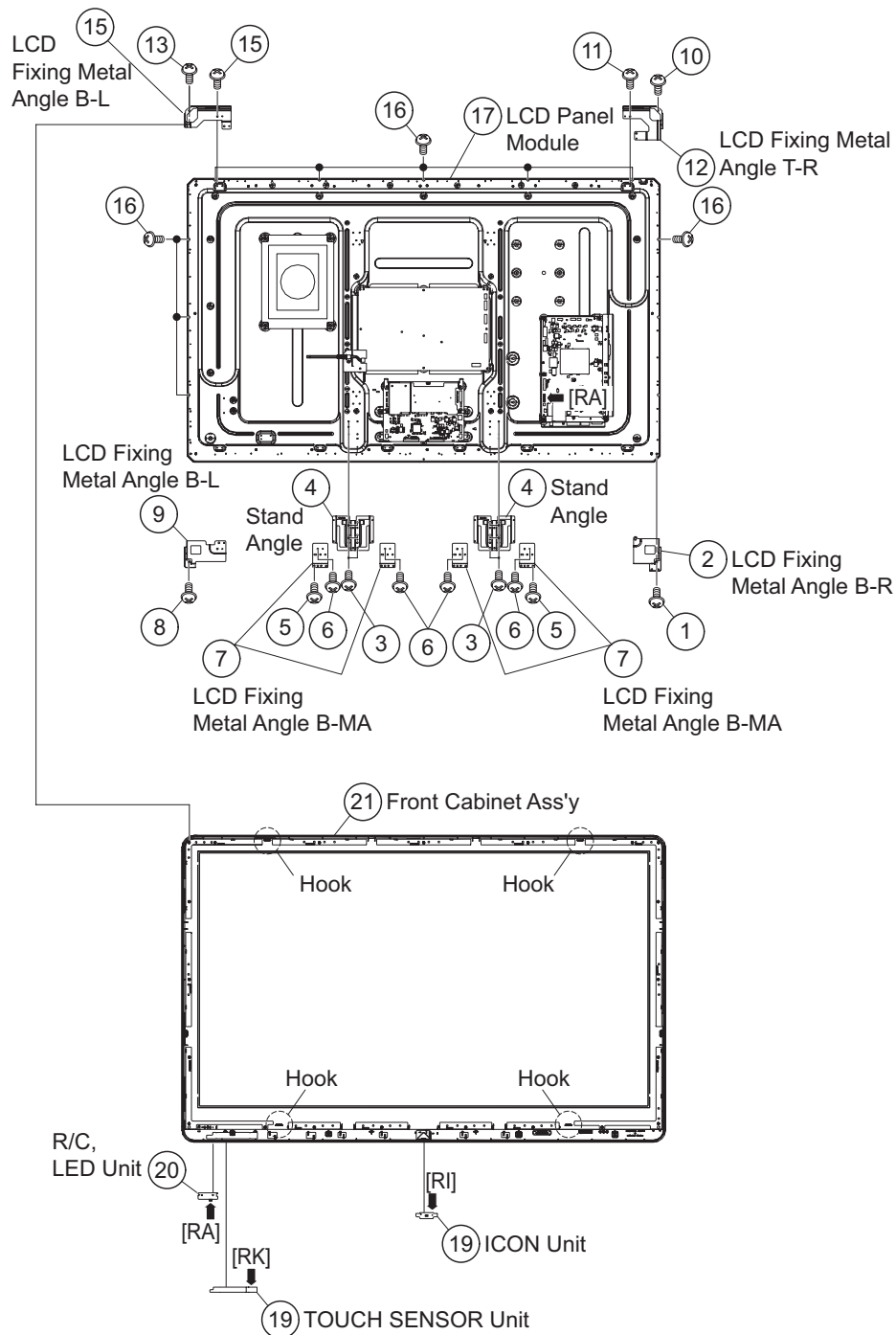
2. Removing of Speaker-L/R.

1. Remove the 2 lock screws ① and detach the Stand cover ②.
2. Disconnect SP wire.
3. Detach the Speaker-L ③, Speaker-R ④.



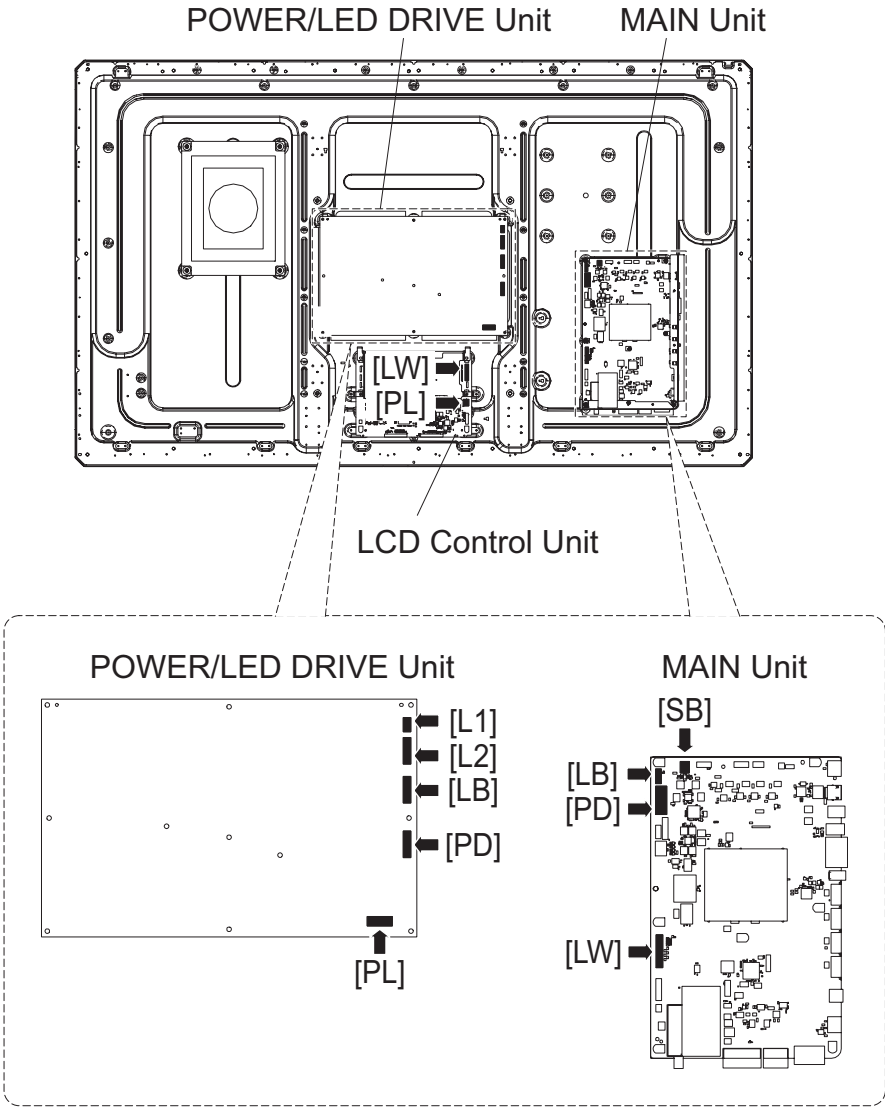
3. Removing of LCD Panel Module, TOUCH SENSOR Unit, ICON Unit, R/C, LED Unit, Front Cabinet Ass'y.

1. Remove the 1 lock screw ① and detach the LCD Fixing Metal Angle B-R ②.
2. Remove the 4 lock screws ③ and detach the 2 Stand Angle ④.
3. Remove the 2 lock screws ⑤, 4 lock screws ⑥ and detach the 4 Fixing Metal Angle B-MA ⑦.
4. Remove the 1 lock screw ⑧ and detach the LCD Fixing Metal Angle B-L ⑨.
5. Remove the 1 lock screw ⑩ and 1 lock screw ⑪ and detach the LCD Fixing Metal Angle T-R ⑫.
6. Remove the 1 lock screw ⑬ and 1 lock screw ⑭ and detach the LCD Fixing Metal Angle T-R ⑮.
7. Remove the 9 lock screws ⑯ and detach the LCD Panel Module ⑰.
8. Disconnect RA wire.
9. Detach the Touch Sensor Unit ⑲.
10. Detach the ICON Unit ⑲.
11. Detach the R/C, LED Unit ⑳.



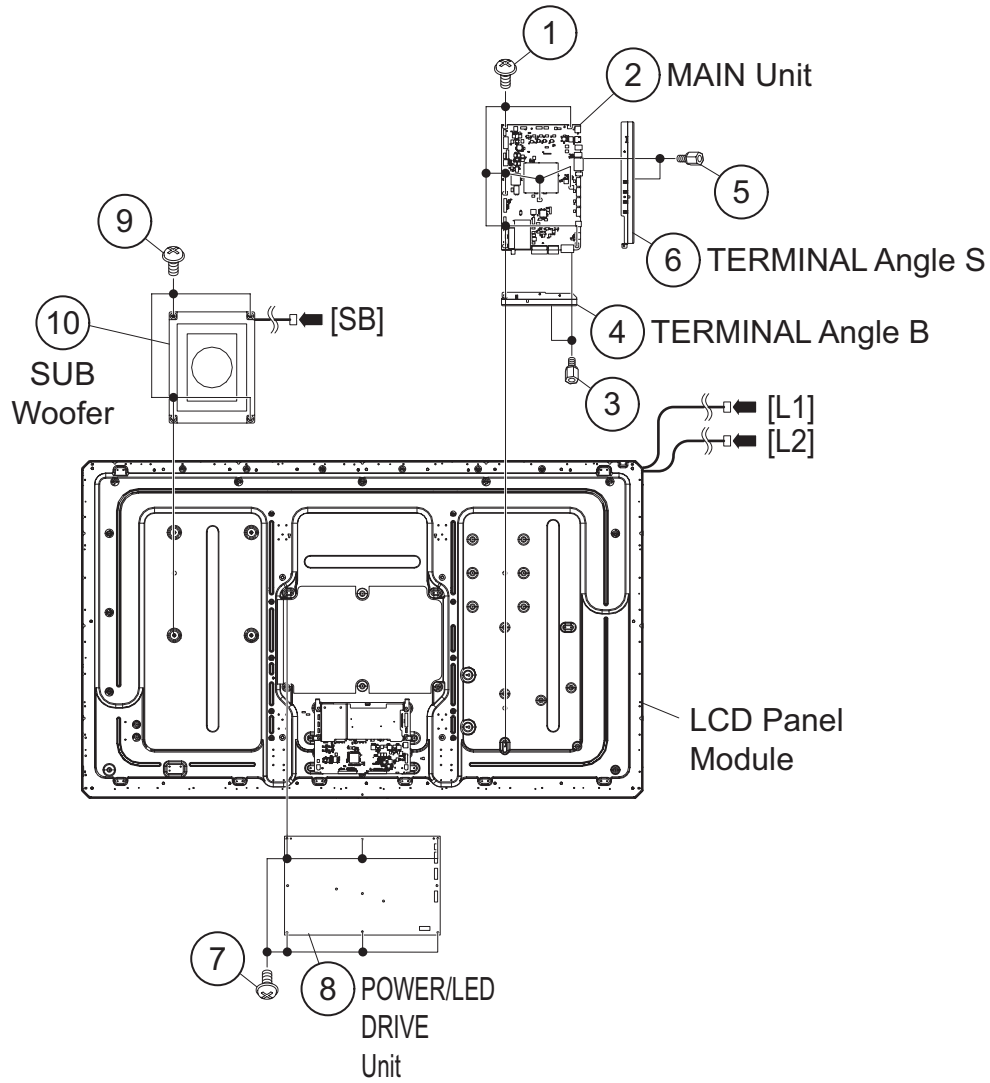
4. Removing of Connectors

- 1. Disconnect the following connectors from the MAIN Unit. (SB, LB, PD, LW)
- 2. Disconnect the following connectors from the POWER/ LED DRIVE Unit. (L1, L2, LB, PD, PL)
- 3. Disconnect the following connectors from the LCD Control Unit. (LW, PL)



5. Removing of MAIN Unit, POWER/LED DRIVE Unit, Sub Woofer, Stand Angle Ass'y

1. Remove the 7 lock screws ① and detach the MAIN Unit ②
2. Remove the 2 lock screws ③ and detach the TERMINAL Angle B ④.
3. Remove the 2 lock screws ⑤ and detach the TERMINAL Angle S ⑥.
4. Remove the 6 lock screws ⑦ and detach the POWER/LED DRIVER Unit ⑧.
5. Remove the 4 lock screws ⑨ and detach the Sub Woofer ⑩.



CHAPTER 5. ADJUSTMENT

[1] ADJUSTMENT PROCEDURE

The adjustment values are set to the optimum conditions at the factory before shipping. If a value should become improper or an adjustment is required due to part replacement, make an adjustment according to the following procedure.

1. After replacement of any PWB unit and/or IC for repair, please note the following.

- When replacing the following units, make sure to prepare the new units loaded with updated software.

MAIN Unit: DKEYMF452FM01

- When replacing the LCD control PWB, perform the VCOM adjustment.

2. Upgrading of each microprocessor software

CAUTION: Never "POWER OFF" the unit when software upgrade is ongoing.

Otherwise the system may be damaged beyond recovery.

2.1. Software version upgrade

The model employs the following software.

- Main software (please use a software version after HLNRBxxx.USB (32" HLNRCxxx.USB).)
- Monitor microprocessor software (please use a software version after HLNRA0x.USB and HLNIMxxx.BIN.)

The main software, monitor microprocessor software can be upgraded by using a general-purpose USB Memory.

The followings are the procedures for upgrading, explained separately for the main software, monitor microprocessor software.

2.2. Main software version upgrade

2.2.1 Get ready before you start

- USB Memory of 128MB or higher capacity.
- PC running on Windows 98/98SE/ME/2000/XP operating system.
- USB Memory reader/writer or PC with a USB port.
- The file system of a USB memory is FAT. (FAT32 supports)
- Use the USB memory without other functions. (lock and memory reader...etc)

2.2.2 Preparations

To upgrade the main software, it is necessary to get ready the USB Memory for version upgrade before you start.

Follow the steps below and create the USB Memory for version upgrade.

1. Copy the file HLNRBxxx.USB (32" HLNRCxxx.USB). for version upgrade to the root directory (folder) of the USB Memory.

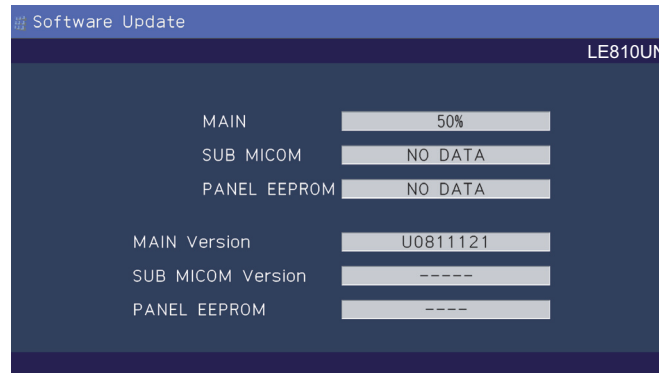
NOTE: In the USB Memory drive, do not store other folders or unrelated files, or more than one file for version upgrade.

Now the USB Memory for version upgrade is ready.

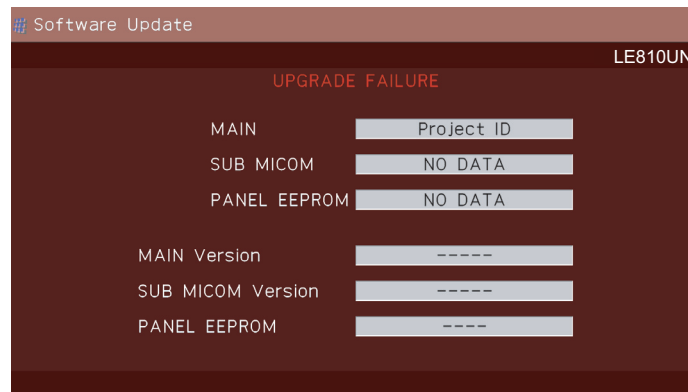
LC-40/46/52/60LE810UN (1st Edition)

2.2.3 How to upgrade the software

1. Plug AC cord and turn on the TV.
 2. After picture displayed, touch the power key for 5seconds.
- NOTE: Picture will disappear when you touch the power key, but keep touching it.
3. When the center icon LED blinks, release your finger from the power key.
 4. Next, touch the "POWER" and "CH (^)" keys at the same time.
 5. When the center icon LED turns on, release your finger form the keys.
 6. After the unit startup, the system upgrade screen as shown below within 20-40 seconds.

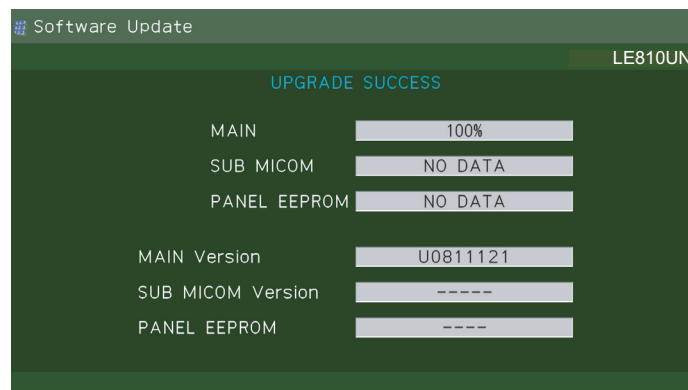


7. Even a single failure in the process will trigger the upgrade failure screen.



NOTE: In the event of a failure, repeat the upgrade process. If the process repeatedly fails, it is likely that the hardware need fixing.

8. Upon completion of the whole process, the upgrade success screen as shown below appears. You can check the new software version on this screen. The version information appears after the upgrade is complete.



9. Unplug the AC cord and remove the USB Memory for version upgrade.
10. Now the software version upgrade is complete.

NOTE: When you are done with the software version upgrade, start the set, go to the top page of the adjustment process screen and check the main software version information.

2.3. Monitor microprocessor software version upgrade

Create the USB memory for monitor microprocessor software version upgrade in the same manner as explained in the "Main software version upgrade".

Copy the file HLNRVA0x.USB and HLNIMxxx.BIN (named temporarily) for monitor microprocessor software version upgrade to the USB memory.

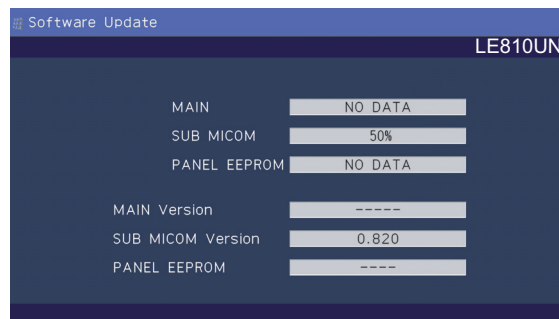
2.3.1 How to upgrade the software

1. Plug AC cord and turn on the TV.
 2. After picture displayed, touch the power key for 5seconds.
- NOTE: Picture will disappear when you touch the power key, but keep touching it.
3. When the center icon LED blinks, release your finger from the power key.
 4. Next, touch the "POWER" and "CH (↖)" keys at the same time.
 5. When the center icon LED turns on, release your finger form the keys.

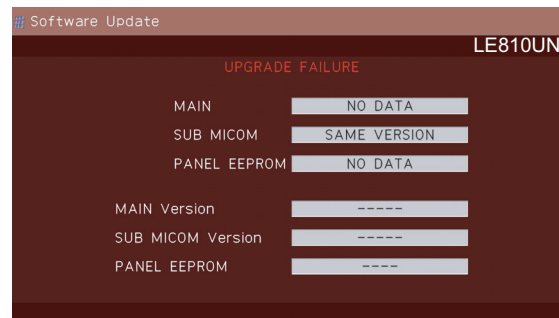
CAUTION: • The moment this operation is done, the upgrading of the monitor microprocessor software starts. While the upgrade is ongoing, never power off the unit. Otherwise the upgrade will fail and the system may be serious damaged beyond recovery (inability to start).

- After the monitor microprocessor software is upgraded, also perform the 'Industry Init'.

6. After the unit startup, the upgrade starts. The power led will blink continuously. Also, an upgrade screen will be shown during a minor upgrade.

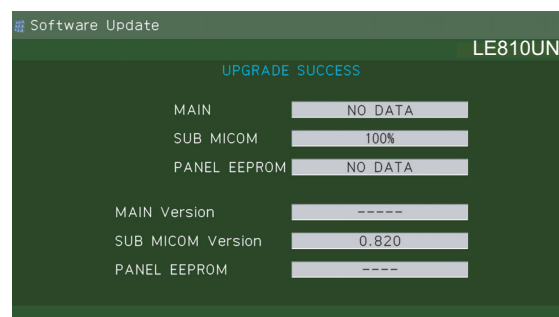


7. If the upgrade fails, power led will stop blinking. Also, the upgrade failure screen will be shown if upgrade screen was shown at 5.



NOTE: In the event of a transient failure, upgrade will be automatically retried up to three times. If the process repeatedly fails, hardware may be the cause.

8. Up on completion of the whole process, power and OPC LED will blink alternately. Also, the upgrade success screen will be shown if upgrade screen was shown at 5.



9. Unplug the AC cord and remove the USB Memory for version upgrade.

10. Now the software version upgrade is complete.

NOTE: When you are done with the software version upgrade, start the set, go to the top page of the adjustment process screen and check the monitor microprocessor software version information and panel size information.

3. Entering and exiting the adjustment process mode

- 1) Before entering the adjustment process mode, the AV position RESET in the video adjustment menu.
- 2) At the state TV is turned on, touch the power key for 5seconds.

NOTE: Picture will disappear when you touch the power key, but keep touching the power key.

- 3) When the center icon LED blinks, release your finger from the power key.
- 4) Next, touch the power key with “VOL (-)” and “INPUT” keys at the same time.

TV will turn on and the letter “<K>” appears on the screen.

- 5) Next, touch the “VOL (—)” and “CH (∨)” keys at the same time.

- 6) When the center icon LED turns on, release your finger form the keys.

(The “VOL (—)” and “CH (∨)” keys should be pressed and held until the display appears.)

Multiple lines of blue characters appearing on the display indicate that the unit is now in the adjustment process mode.

When you fail to enter the adjustment process mode (the display is the same as normal startup), retry the procedure.

- 7) To exit the adjustment process mode after the adjustment is done, unplug the AC cord from the outlet to make a forced shutdown. (When the power was turned off with the remote controller, once unplug the AC cord and plug it again. In this case, wait 10 seconds or so before plugging.)

CAUTION: Use due care in handling the information described here lest your users should know how to enter the adjustment process mode. If the settings are tampered in this mode, unrecoverable system damage may result.

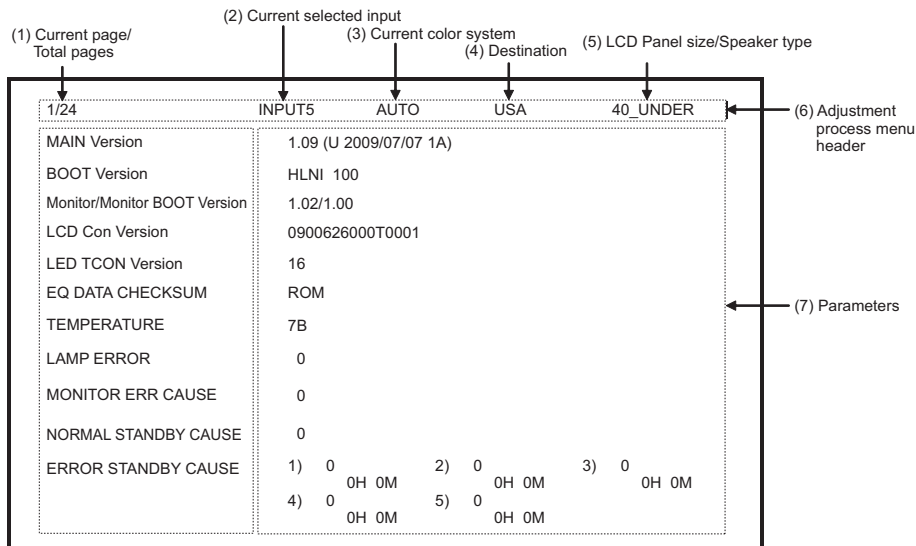
4. Remote controller key operation and description of display in adjustment process mode

- 1) Key operation

Remote controller key	Main unit key	Function
CH (∨ / ∧)	CH (∨ / ∧)	Moving an item (line) by one (UP/DOWN)
VOL (+/-)	VOL (+/-)	Changing a selected item setting (+1/ -1)
Cursor (UP/DOWN)	—————	Turing a page (PREVIOUS/NEXT)
Cursor (LEFT/RIGHT)	—————	Changing a selected line setting (+10/ -10)
INPUT	—————	Input switching (toggle switching)
ENTER	—————	Executing a function

*Input mode is switched automatically when relevant adjustment is started so far as the necessary input signal is available.

- 2) Description of display



5. List of adjustment process mode menu

The character string in brackets [] will appear as a page title in the adjustment process menu header.

Page	Line	Item	Description	Remarks (adjustment detail, etc.)
1	1	MAIN Version	Main software version	Versions are always '090626000T0001'. Refer to *1 under the list for details Refer to *2 under the list for details
	2	BOOT Version		
	3	Monitor/Monitor BOOT Version	Monitor and monitor boot software version	
	4	LCD CON Version / LED CON Version	LCD controller software version	
	5	Netflix ESN		
	6	FRC-N Auto Script Version	Audio data checksum	
	7	TCON Master/Slave Serial Version		
	8	TOUCH SENSOR UCON VERSION		
	9	TEMPERATURE	Panel temperature	
	10	LAMP ERROR	Number of termination due to lamp error	
	11	MONITOR ERR CAUSE		
	12	NORMAL STANDBY CAUSE		
	13	ERROR STANDBY CAUSE		
2	1	INDUSTRY INIT	Initialization to factory settings	Level appears in green on the upper right
	2	INDUSTRY INIT(-Hotel)		
	3	PUBLIC MODE	Public mode	
	4	Center Acutime	Accumulated main operation time	
	5	RESET	Reset	
	6	Backlight Acutime	Accumulated monitor operation time	
	7	RESET	Reset	
	8	LAMP ERROR RESET	Reset LAMP ERROR	
	9	VIC XPOS	X-coordinate setting for VIC READ	
	10	VIC YPOS	Y-coordinate setting for VIC READ	
	11	VIC COLOR	Collected color data setting for VIC READ	
	12	VIC SIGNAL TYPE	Signal type setting for VIC READ	
	13	VIC READ	Picture level acquisition function	
3	1	N358 ALL ADJ(INPUT1)	CVBS and TUNER signal level adjustment	
	2	N358 MAIN ADJ(INPUT1)	CVBS signal level adjustment	
	3	TUNER DAC ADJ	TUNER signal level adjustment	
	4	N358 CONTRAST A_GAIN		
	5	N358 CONTRAST D_GAIN		
	6	N358 CONTRAST OFFSET		
	7	TUNER CONTRAST A_GAIN		
	8	TUNER CONTRAST D_GAIN		
	9	TUNER CONTRAST OFFSET		
4	1	TUNER VCHIP TEST(69ch)	Tuning test and VCHIP test (69ch)	
	2	TUNER VCHIP TEST(7ch)	Tuning test and VCHIP test (7ch)	
	3	TUNER VCHIP TEST(10ch)	Tuning test and VCHIP test (10ch)	
	4	TUNER VCHIP TEST(15ch)	Tuning test and VCHIP test (15ch)	
	5	INSPECT USB TERM		
	6	HDMI EDID WRITE		
	7	HDMI CEC TEST		
5	1	COMP15K ADJ(INPUT1)	Component 15K picture level adjustment (main)	
	2	COMP15K Y A_GAIN		
	3	COMP15K Cb A_GAIN		
	4	COMP15K Cr A_GAIN		
	5	COMP15K Y OFFSET		
	6	COMP15K Cb OFFSET		
	7	COMP15K Cr OFFSET		
6	1	COMP33K ADJ(INPUT1)	Component 33K picture level adjustment (main)	
	2	COMP33K Y A_GAIN		
	3	COMP33K Cb A_GAIN		
	4	COMP33K Cr A_GAIN		
	5	COMP33K Y OFFSET		
	6	COMP33K Cb OFFSET		
	7	COMP33K Cr OFFSET		

Page	Line	Item	Description	Remarks (adjustment detail, etc.)
7	1	ANALOG RGB ADJ	Analog RGB picture level adjustment	
	2	R A_GAIN		
	3	G A_GAIN		
	4	B A_GAIN		
	5	R OFFSET		
	6	G OFFSET		
	7	B OFFSET		
8	1	VCOM ADJ	VCOM adjustment value	Adjustment gradation setting.
9	1	LEV1	Standard value 1	
	2	LEV2	Standard value 2	
	3	LEV3	Standard value 3	
	4	LEV4	Standard value 4	
	5	LEV5	Standard value 5	
	6	LEV6	Standard value 6	
10	1	MG1R	WB adjustment Point 1, R adjustment value	Parameter for six-point adjustment
	2	MG1G	WB adjustment Point 1, G adjustment value	
	3	MG1B	WB adjustment Point 1, B adjustment value	
	4	MG1Y	WB adjustment Point 1, Y adjustment value	
	5	MG2R	WB adjustment Point 2, R adjustment value	
	6	MG2G	WB adjustment Point 2, G adjustment value	
	7	MG2B	WB adjustment Point 2, B adjustment value	
	8	MG2Y	WB adjustment Point 2, Y adjustment value	
	9	MG3R	WB adjustment Point 3, R adjustment value	
	10	MG3G	WB adjustment Point 3, G adjustment value	
	11	MG3B	WB adjustment Point 3, B adjustment value	
	12	MG3Y	WB adjustment Point 3, Y adjustment value	
11	1	MG4R	WB adjustment Point 4, R adjustment value	Parameter for six-point adjustment
	2	MG4G	WB adjustment Point 4, G adjustment value	
	3	MG4B	WB adjustment Point 4, B adjustment value	
	4	MG4Y	WB adjustment Point 4, Y adjustment value	
	5	MG5R	WB adjustment Point 5, R adjustment value	
	6	MG5G	WB adjustment Point 5, G adjustment value	
	7	MG5B	WB adjustment Point 5, B adjustment value	
	8	MG5Y	WB adjustment Point 5, Y adjustment value	
	9	MG6R	WB adjustment Point 6, R adjustment value	
	10	MG6G	WB adjustment Point 6, G adjustment value	
	11	MG6B	WB adjustment Point 6, B adjustment value	
	12	MG6Y	WB adjustment Point 6, Y adjustment value	
	13	1	MG6Y OFFSET	
12	1	MODE SELECT		
	2	POS SELECT		
	3	POS MIN		
	4	POS MID1		
	5	POS MID2		
	6	POS MID3		
	7	POS MID4		
	8	POS MID5		
	9	POS MID6		
	10	POS MAX		
13	1	CD MIN		
	2	CD MID1		
	3	CD MID2		
	4	CD MID3		
	5	CD MID4		
	6	CD MID5		
	7	CD MID6		
	8	CD MAX		

Page	Line	Item	Description	Remarks (adjustment detail, etc.)
14	1 2 3 4 5 6 7 8	CALC RESET VAL1 VAL2 VAL3 VAL4 VAL5 VAL6		
15	1 2 3	MONITOR TIME OUT MONITOR MAX TEMP MONITOR ERROR CAUSE RESET		
16	1 2 3 4 5 6 7	LCD TEST PATTERN LCD TEST PATTERN1 LCD TEST PATTERN2 LCD TEST PATTERN3 LCD TEST PATTERN4 TV TEST PATTERN 1 TV TEST PATTERN 2		
17	1 2 3 4 5 6 7	FRC-N Firmware Version FRC-N Boot Script Version FRC-N Device Version TCON FPGA1 Serial Flash Version TCON FPGA2 Serial Flash Version TCON FPGA1 Config Rom Version TCON FPGA2 Config Rom Version		
18	1 2 3 4 5 6 7 8	READ/WRITE SLAVE ADDRESS RESISTER ADDRESS UPPER RESISTER ADDRESS LOWER WRITE DATA UPPER WRITE DATA LOWER READ DATA UPPER READ DATA LOWER		
19	1 2 3 4 5 6 7 8 9 10	POWER LED BRIGHTNESS MENU LED BRIGHTNESS INPUT LED BRIGHTNESS CH UP LED BRIGHTNESS CH DOWN LED BRIGHTNESS VOL UP LED BRIGHTNESS VOL DOWN LED BRIGHTNESS LOGO LED BRIGHTNESS ICON LED BRIGHTNESS ICON LED BRIGHTNESS (STANDBY)		
20	1 2 3 4 5 6 7	POWER KEY SENSITIVITY MENU KEY SENSITIVITY INPUT KEY SENSITIVITY CH UP KEY SENSITIVITY CH DOWN KEY SENSITIVITY VOL UP KEY SENSITIVITY VOL DOWN KEY SENSITIVITY		
21	1 2 3 4 5 6 7 8	KEY STRENGTH GET MODE POWER KEY STRENGTH MENU KEY STRENGTH INPUT KEY STRENGTH CH UP KEY STRENGTH CH DOWN KEY STRENGTH VOL UP KEY STRENGTH VOL DOWN KEY STRENGTH		
22	1 2 3 4 5 6	KEY LOCK (1217) KOUTEI AREA ALL CLEAR A MODE AREA CLEAR BACKUP AREA CLEAR B MODE AREA CLEAR EXECUTION		

Page	Line	Item	Description	Remarks (adjustment detail, etc.)
23	1	ERROR STANDBY CAUSE1		
	2	ERROR STANDBY CAUSE2		
	3	ERROR STANDBY CAUSE3		
	4	ERROR STANDBY CAUSE4		
	5	ERROR STANDBY CAUSE5		
	6	ERROR STANDBY CAUSE RESET		
24	1	EEP SAVE	Writing setting values to EEPROM	
	2	EEP RECOVER	Reading setting values from EEPROM	
	3	MODL NAME		
	4	PANEL SIZE		
	5	SETTING FOR ADJ		
	6	PANEL LIMIT		
	7	PANEL RANGE LIMIT		
	8	SHORT CHECK MODE		
	9	SHORT CHECK CURRENT		
	10	CURRENT SW		

***1 Details of P1.9 (NORMAL STANDBY CAUSE)**

- | | | |
|---|----------------------------|--------------------------------------|
| 2 | No operation off | in the cause of "no operation off" |
| 3 | No signal off | in the cause of "no signal off" |
| 4 | PC power management mode 1 | in the cause of "Standby mode MODE1" |
| 5 | PC power management mode 2 | in the cause of "Standby mode MODE2" |
| 6 | Off timer | in the cause of "SLEEP timer" |
| 8 | Command from RS232C | in the cause of command by RS-232C |

***2 Details of P1.10 (ERROR STANDBY CAUSE)**

- | | | |
|----|-----------------------------------------------|----------------------------------------------------------|
| 11 | Prolonged unspecified-signal input in PC mode | in the cause of continuous "out of range", PC input mode |
| 17 | Temperature error | in the cause of abnormal temperature |
| 1A | Monitor trouble detected | in the cause of abnormal monitor mode |
| 22 | LCD controller Rom error | in the cause of software abnormality of LCD controller |

6. Special features

* STANDBY CAUSE (Page 1/24)

Display of a cause (code) of the last standby

The cause of the last standby is recorded in EEPROM whenever possible.

Checking this code will be useful in finding a problem when you repair the troubled set.

* EEP SAVE (Page 24/24)

Storage of EEP adjustment value

* EEP RECOVER (Page 24/24)

Retrieval of EEP adjustment value from storage area

7. Microcomputer software writing

7.1. Main microcomputer/monitor microcomputer software writing (Main PWB: QPWBXF452WJZZ)

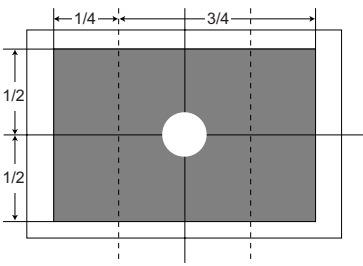
	Adjustment item	Adjustment conditions	Adjustment procedure
1	Main microcomputer/monitor microcomputer software writing <Main PWB>	Checker process File version check USB memory check	<ol style="list-style-type: none"> 1. Connect the specified writing jig to SC8452 (TL8461-8475) via the checker. 2. Connect the USB memory to J3301 (TL3309-3312) or J3302 (TL3332-3335) via the checker. 3. Apply the specified voltage to the PWB and perform boot from the jig. 4. Send the software writing start command via RS232C. 5. Send the writing status check command and confirm the response of OK. Then turn off the power. <p>CAUTION: When the USB memory is not inserted or reading error occurs, nothing is written.</p>

7.2. Model/inch discrimination writing (Main PWB: QPWBXF452WJZZ)

- Refer to the production precautions.

8. Signal adjustment

8.1. LCD section adjustment [LCD module adjustment]

	Adjustment item	Adjustment conditions	Adjustment procedure
1	Opposite bias adjustment (LCD module adjustment item)	Adjustment in the center position of the panel	<ol style="list-style-type: none"> 1. Enter the process mode using the process adjustment remote control. 2. Select [VCOM ADJ] using the Channel \wedge / \vee keys on the remote control. 3. Press the Enter key to check that the pattern for adjustment is displayed. 4. Make adjustment so that the flicker located in the center of the screen is minimized using the Volume +/- keys on the remote control. 5. If the optimum condition is obtained in step 4, press the Enter key to turn off the pattern. <p>CAUTION: * Make adjustment with no ANT signal (since the brightness is changed by the active backlight). [Adjustment position]</p> 

8.2. Image adjustment

8.2.1 Device check

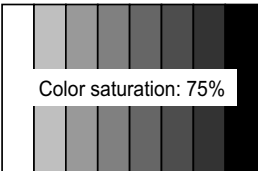

- Before adjustment, check that the adjustment jig and signal source are set for Sharp LCD US.
- Signal generator level adjustment check (Adjust to the standard value level.)

- Composite signal: 0.714Vp-p \pm 0.02Vp-p (Pedestal to white)
- 15K component signal: Y level: 0.714Vp-p \pm 0.02Vp-p (Pedestal to white)
PB/PR level: 0.7Vp-p \pm 0.02Vp-p
- 33K component signal: Y level: 0.7Vp-p \pm 0.02Vp-p (Pedestal to white)
PB/PR level: 0.7Vp-p \pm 0.02Vp-p
- Analog RGB: RGB level: 0.7Vp-p \pm 0.02Vp-p (Pedestal to white)


8.2.2 Process mode

	Adjustment point	Adjustment conditions	Adjustment procedure
	Process mode		Enter the process adjustment mode using the process adjustment remote control.


8.2.3 Composite N358 signal/tuner adjustment

	Adjustment point	Adjustment conditions	Adjustment procedure
1	Setting	N358 signal US-10ch	<ul style="list-style-type: none"> •Send the N358 color bar (color saturation: 75%) signal to the Video 2 video input. •Send the in-house signal (use US-10ch) to TUNER. <div style="display: flex; justify-content: space-around; align-items: center;"> <div style="text-align: center;"> <p>[Video input signal]</p>  <p>Color saturation: 75%</p> <p>↑ 100% white ↑ 0% black</p> </div> <div style="text-align: center;"> <p>[In-house US-10ch]</p>  <p>↑ 100% white</p> </div> </div>
2	Automatic adjustment execution		Point the cursor to [■N358 ALL ADJ(INPUT2)] and press the [Enter] key. The adjustment is complete when [■N358 ALL ADJ(INPUT2) OK] is displayed.


8.2.4 Component 15K signal adjustment

	Adjustment point	Adjustment conditions	Adjustment procedure
1	Setting	480i signal	<ul style="list-style-type: none"> •Send the 100% color bar signal to the Video 1 component input. <div style="display: flex; justify-content: center; align-items: center;">  <div style="margin-left: 20px;"> <p>480i 100% color bar</p> </div> </div> <p style="text-align: center;">↑ 100% white ↑ 0% black</p>
2	Automatic adjustment execution		Point the cursor to [■COMP15K ADJ(INPUT1)] and press the [Enter] key. The adjustment is complete when [■COMP15K ADJ(INPUT1) OK] is displayed.

8.2.5 COMPONENT 33K signal adjustment

	Adjustment point	Adjustment conditions	Adjustment procedure
1	Setting	1080i signal	<ul style="list-style-type: none"> •Send the 100% color bar signal to the Video 1 component input. <div style="display: flex; justify-content: center; align-items: center;">  <div style="margin-left: 20px;"> <p>1080i 100% color bar</p> </div> </div> <p style="text-align: center;">↑ 100% white ↑ 0% black</p>
2	Automatic adjustment execution		Point the cursor to [■COMP33K ADJ(INPUT1)] and press the [Enter] key. The adjustment is complete when [■COMP33K ADJ(INPUT1) OK] is displayed.

8.2.6 Analog RGB signal adjustment

	Adjustment point	Adjustment conditions	Adjustment procedure
1	Setting	Signal: XGA (1024x768) 60Hz SYNC: HV separate	<ul style="list-style-type: none"> •Send the 100% color bar signal to the Video 4 analog RGB input. <div style="display: flex; justify-content: center; align-items: center;">  <div style="margin-left: 20px;"> <p>XGA (1024x768) 100% color bar</p> </div> </div> <p style="text-align: center;">↑ 100% white ↑ 0% black</p>
2	Automatic adjustment execution		Point the cursor to [■ANALOG RGB ADJ] and press the [Enter] key. The adjustment is complete when [■ANALOG RGB ADJ OK] is displayed.

8.2.7 Tuner/V-CHIP adjustment

	Adjustment point	Adjustment conditions	Adjustment procedure
1	Setting	NTSC RF signal US-7(AIR)ch	•Send the NTSC signal to the RF antenna input.
2	Automatic adjustment execution		Point the cursor to [■ TUNER VCHIP TEST(*07ch)] and press the [Enter] key. (* Adjust the selected channel to the in-house signal.) The adjustment is OK when [■ A-OK(***.**) / VM-OK] is displayed in green. (NG when A-NG/VM-NG is displayed in red.) It is OK when the deviation from the center frequency is $\pm 0.0625\text{MHz}$ or less.

9. White balance adjustment

9.1. White balance adjustment (For details about the adjustment procedure, refer to “Kameyama Model Integrated Monitor WB Adjustment Specification V1.92”.)

	Adjustment point	Adjustment conditions	Adjustment procedure
1	Setting		1) Set the unit to the following conditions. AV MODE: [DYNAMIC] Backlight: +16 Active Backlight: OFF Aging Time: Min. 60 minutes 2) Connect the unit with the white balance adjustment jig.
2	Automatic adjustment execution	[Command] Process mode KRSW0001 KKT10037 Setting KY0F0000 0SDS0001 SBSL0016 Multi-point adjustment mode MSET0011 Point 6 LEV60229 MG6G**** MG6B**** MG6R**** MG6Y**** Point 5 LEV50173 MG5G**** MG5B**** MG5R**** MG5Y**** Point 4 LEV40133 MG4G**** MG4B**** MG4R**** MG4Y**** Point 3 LEV30116 MG3G**** MG3B**** MG3R**** MG3Y**** Point 2 LEV20074 MG2G**** MG2B**** MG2R**** MG2Y**** Point 1 LEV10045 MG1G**** MG1B**** MG1R**** MG1Y**** Writing MSET0003	[Adjustment procedure] 1) Send the “adjustment process” code using the remote control. 2) Set the point 6 to the specified gradation, specify the strongest color as the fixed color, and adjust the RGB so that it becomes the standard value through negative adjustment. Then compare the R and G values; based on the result, calculate the Ye value in the following conditions. $R > G: Ye = G \times 1.05$ $R \leq G: Ye = R \times 1.05$ * If the Ye value exceeds the initial value (input gradation x 4), it is rounded to that value or less. 3) Set the point 5 to the specified gradation, set the G correction value (692 x G value of point 6/916) (fractions rounded off) and the Ye correction value (692 x Ye value of point 6/916) (fractions rounded off), and adjust the RB so that it becomes the standard value. 4) Set the point 4 to the specified gradation, set the G correction value (532 x G value of point 6/916) (fractions rounded off) and the Ye correction value (532 x Ye value of point 6/916) (fractions rounded off), and adjust the RB so that it becomes the standard value. 5) Set the point 3 to the specified gradation, set the G correction value (464 x G value of point 6/916) (fractions rounded off) and the Ye correction value (464 x Ye value of point 6/916) (fractions rounded off), and adjust the RB so that it becomes the standard value. 6) Set the point 2 to the specified gradation, set the G correction value (296 x G value of point 6/916) (fractions rounded off) and the Ye correction value (296 x Ye value of point 6/916) (fractions rounded off), and adjust the RB pattern so that it becomes the standard value. 7) Set the point 1 to the specified gradation, set the G correction value (180 x G value of point 6/916) (fractions rounded off) and the Ye correction value (180 x Ye value of point 6/916) (fractions rounded off), and adjust the RB so that it becomes the standard value. 8) Write the adjustment value by the MSET0003 command and turn off the AC power. * RGB initial value of point 6: Set gradation 916 * RGB initial value of points 1 to 5: G correction value of each point (At each point, make adjustment so that the remainder of the RGB adjustment value/4 is equal.) [Adjustment value] * According to the “Standard settings” submitted by the Technical Department [LC52LE810UN] LE810 model teaching set

Adjustment point	Adjustment conditions	Adjustment procedure			
		[Adjustment standard value] Measuring instrument: [Minolta CA-210] Technical measuring instrument			
		Level	Reference value	Adjustment spec	Inspection spec
		Point 6	X=0.272 y=0.277	±0.0010	±0.0020
		Point 5	X=0.272 y=0.277	±0.0010	±0.0020
		Point 4	X=0.272 y=0.277	±0.0015	±0.0030
		Point 3	X=0.272 y=0.277	±0.0020	±0.0040
		Point 2	X=0.272 y=0.277	±0.0030	±0.0060
		Point 1	X=0.272 y=0.277	±0.004	±0.0080
		Remarks	Setting conditions for inspection AV MODE: [DYNAMIC] (Reset) Monochro: ON Active Backlight: OFF Aging Time: Min. 60 minutes		

10. Key writing

10.1. EDID writing (Main PWB: QPWBXF452WJZZ)

Adjustment point	Adjustment conditions	Adjustment procedure
1 HDMI EDID writing (Main PWB)	Process mode Model discrimination check	1) Enter the process mode. 2) Point the cursor to [EDID WRITE ENT] and press the [ENT] key. The writing is complete when [EDID WRITE OK] is displayed. (If not written, HDMI does not function.) CAUTION: Perform the data writing after setting the model discrimination. The data based on the model discrimination information is recorded in EEPROM.
2 Analog RGB EDID writing (Main PWB)	Inspection mode File version check	1) Write the EDID data for analog RGB into IC509 mounted on the main PWB using the checker. TL511 ●●● I2C clock, TL508 ●●● I2C data TL544 ●●● 5V, TL507 ●●● GND TL585 ●●● Write protection (H: WP, L: write enable) 2) Perform the data writing before making inspection using the checker.

10.2. MMAC address writing (Main PWB: QPWBXF452WJZZ)

1. Refer to the production precautions.

10.3. Netflix & WMDRM Key writing (Main PWB: QPWBXF452WJZZ)

1. Netflix key data is written in IC8401. The data cannot be copied nor run on different CPU. It can be written only in factory securely.
Therefore when key data is corrupted or lost or you replace main CPU, IC8001, or flash ROM, IC8401, you have to replace main PWB.
You can check if the key data is stored correctly by following means.
 - Process menu
The key is displayed to [NETFLIX ESN] on the 1st page in the adjustment process menu.
 - RS-232C
 1. Enter the process mode.
 2. NFKY???? : ESN Data is returned.

11. Factory setting

After completing the factory setting, pull out the AC cord to complete the setting.

CAUTION: Do not turn on the power after completing the factory setting. If the power is turned on, configure the factory setting again.

	Adjustment point	Adjustment conditions	Adjustment procedure
1	Factory setting	Complete the setting by pulling out the AC cord.	<ul style="list-style-type: none"> •Point the cursor to [INDUSTRY INIT (+Cause)], set to "ON" using [+] / [-] of the [VOL] key, and press the [ENT] key. The version confirmation screen appears on the green screen. It is completed when [SUCCESS] is displayed at the top. (If error occurs, [ERROR] is displayed on the red screen.) •Turn off the AC power. <p>The following items are initialized when configuring the factory setting.</p> <ol style="list-style-type: none"> 1) User set value 2) Channel data (broadcasting frequency, etc.) 3) Password setting value 4) Operating time 5) StandbyCause 6) Auto installation flag 7) V-CHIP block setting value

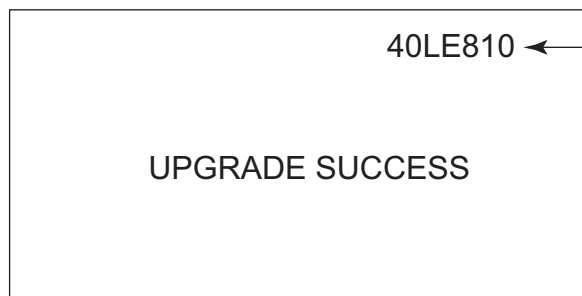
12. Software version

1. Main microcomputer
2. Monitor microcomputer
3. EDID data (Analog RGB)
4. (Reference: File name in the Technical Department)
For analog RGB Input3: IC509: edid_dsub15_fullhd_v6_256.BIN

13. Writing the inch and model name onto EEPROM

Writing method

1. Pull out the AC cord.
2. Copy the application for writing inch/model name (HLNIMA01.USB) and model/inch file (40LE810.MDL) to the USB memory.
3. Hold down the power button and insert the AC cord.
4. Release the power button after 5 seconds.
5. Update starts.



The inch and model name are displayed.

6. Pull out the AC cord.

Model/inch file

- 40LE810.MDL
- 46LE810.MDL
- 52LE810.MDL
- 60LE810.MDL
- * 32 inch is not necessary.

NOTE: When replacing the main PWB, make sure to perform the writing the inch and model name onto EEPROM

[2] PUBLIC MODE SETTING PROCEDURE

1. How to start Public Mode

• There are the following 3 ways to get the public mode setup screen displayed.

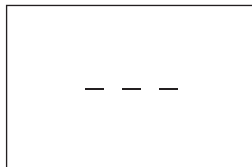
- ① In the adjustment process mode, turn on "PUBLIC MODE"
- ② 1) Plug AC cord and turn on the TV.
2) After picture displayed, touch the "POWER" key for 5seconds.

NOTE: Picture will disappear when you touch the power key, but keep touching it.

- 3) When the center icon LED blinks, release your finger from the power key.
- 4) Next, touch the "CH (^)" key and "VOL (+)" keys on the set at the same time.
- 5) When the center icon LED turns on, release your finger form the keys.

③ It's same as ② from 1) to 3)

- 4) Next, touch the "INPUT" key and "CH ^ " keys on the set at the same time.
- 5) When the center icon LED turns on, release your finger form the keys.
- 6) Get the password input screen displayed.



Procedure

- The input starts with the leftmost digit.
- Use the numeric keys [1] thru [9] and [0] keys on the remote controller. The other keys are not acceptable.
- With a numeric-key input, "-" will change to "*". The input position will move one digit to the right.
- With all the 3 digits entered, the password will be verified.

7) The 3-digit password is now verified.

The password [0] [2] [7] provides for the public mode screen. (This screen comes on with whatever adjustment process settings.)

With any other passwords, the screen changes to the normal mode.

2. How to exit Public Mode

There are the following ways to quit the public mode setup screen.

- Turn off "PUBLIC MODE" in the adjustment process mode. (☆) ← This way alone is not for quitting the setup screen, but for quitting the mode itself.
- Turn off the power with the "POWER" key. (★)
- Select "EXECUTE". (★)

★ ... "PUBLIC MODE" stays on in the adjustment process mode.

☆ ... The settings will be back to the factory ones.

3. Public Mode Setting Values

- With the factory settings made, the public mode settings get initialized. (The adjustment process remains intact.)

4. Public Mode Menu

The guidance is not displayed on screen.

Setup procedure

- To move the cursor up and down, use the "cursor UP/DOWN" key (remote controller) and "CH (^)/(v)" key (remote controller and set).
- To change the settings, use the "cursor RIGHT/LEFT" key (remote controller) and "VOL (+)/(-)" key (remote controller and set).
- To save new settings, keep the cursor at "EXECUTE" and use "ENTER" key (remote controller and set).

PUBLIC MODE	
POWER ON FIXED	[VARIABLE]
MAXIMUM VOLUME	[60]
VOLUME FIXED	[VARIABLE]
VOLUME FIXED LEVEL	[20]
RC BUTTON	[RESPOND]
PANEL BUTTON	[RESPOND]
MENU BUTTON	[RESPOND]
AV POSITION FIXED	[VARIABLE]
ON SCREEN DISPLAY	[YES]
INPUT MODE START	[NORMAL]
INPUT MODE FIXED	[VARIABLE]
LOUD SPEAKER	[ON]
RC_PATH_THROUGH	[OFF]
232C POWON	[DISABLE]
PUBLIC MODE	[OFF]
RESET	
EXECUTE	

5. On Setting Items

* "EZ-SETUP" discussed below indicates "EZ-SETUP after the first power-on".

1) POWER ON FIXED

Selection	Selection between "Variable" and "Fixed" (loop provided)
Default	– (Variable)
Explanation	In "Fixed" setting, the power-off by the power key of the unit is invalidated and the image is kept being received. The power can be turned off by stopping the power supply from AC.
Limit in Setting	Refer to the "Power-On Fixed" sheet.
Exception	None
Remarks	• In "Variable" setting, the power operation is in wait for 1 sec. and then turned off when the main power switch is off.

2) MAXIMUM VOLUME

Selection	Adjustment from 0 to 60 (no loop)
Default	60
Explanation	Sound volume can not be adjusted higher than the preset value.
Limit in Setting	<ul style="list-style-type: none"> • When the sound volume is set lower than 59, only figures are displayed and the sound volume bar is not displayed. • The maximum sound volume for ON-timer (Wake up timer) is limited also to the preset value.
Exception	
Remarks	• When the sound volume is set higher than the MAX setting by the adjusting process, the sound volume control operation is prohibited for turn-up and the sound volume should be turned down to MAX in this state.

3) VOLUME FIXED

Selection	Selection between "Variable", "Fixed", "ACON (AC CTRL)" and "AC/RCON (AC/RC CTRL)" (loop provided)
Default	Variable
Explanation	<ul style="list-style-type: none"> • FIXED: Fixed at the level adjusted for a fixed volume. • AC CTRL: Start-up at the level specified for a fixed volume at ACON. • AC/RC CTRL: Start-up at the level specified for a fixed volume at start.
Limit in Setting	<ul style="list-style-type: none"> • The sound volume for the ON-timer (Wake up timer) is fixed also without display of menu. Besides, the setting is made impossible. (Basically, the menu is not displayed.) • The following keys become invalid: <ul style="list-style-type: none"> • Sound volume Up/Down (VOL +/-) [for both remote control and the unit] • Mute (MUTE)
Exception	• In the item "VOLUME" of adjustment process, the sound volume can be set freely irrespective of this setting.
Remarks	<ul style="list-style-type: none"> • As for sound volume fixing and sound volume MAX level, the sound volume fixing has priority. • Once the sound volume has been changed by adjustment process, it should be set back to the sound volume preset by sound volume fixing level when the adjustment process ends.

4) VOLUME FIXED LEVEL

Selection	Adjustment from 1 to 60 (no loop)
Default	20
Explanation	The sound volume to be fixed by "Volume fixed" is determined.
Limit in Setting	None
Exception	None
Remarks	Setting is valid only when "Volume fixed" is selected for "fixed".

5) RC BUTTON

Selection	Selection between "Respond", "No Respond" and "Limited" (loop provided)
Default	Respond
Explanation	<p>Making the remote controller settings.</p> <ul style="list-style-type: none"> • At the "No Respond" setting, the remote controller keys are disabled. Its power key (reception/standby key) is disabled too. • At the "Limited" setting, some channel-related keys alone are operative. All the other remote controller keys (power, volume ▲/▼, channel ▲/▼, light control (brightness sensor), broadcast select) are inoperative.
Limit in Setting	① In "No respond" setting, all the keys (including the power key) are not accepted.
Exception	<ul style="list-style-type: none"> • Adjustment process, inspection process and hotel only keys are valid irrespective of setting. • All the keys can be used in adjustment process, inspection mode and hotel menu irrespective of setting.
Remarks	

6) PANEL BUTTON

Selection	Selection between "Respond" and "No respond" (loop provided)
Default	Respond
Explanation	All the operations by keys (except the power key) of the unit can be invalidated.
Limit in Setting	
Exception	<ul style="list-style-type: none"> • Adjustment process, inspection mode and hotel menu mode can be started irrespective of setting. • All the keys can be used in adjustment process, inspection mode and hotel menu irrespective of setting.
Remarks	

7) MENU BUTTON

Selection	Selection between "Respond" and "No respond" (loop provided)
Default	Respond
Explanation	In "No respond" setting, the menu operation by the menu key of the remote control and the menu key of the unit are invalidated.
Limit in Setting	
Exception	<ul style="list-style-type: none"> • Adjustment process, inspection mode and hotel menu mode can be started irrespective of setting. • All the keys can be used in adjustment process, inspection mode and hotel menu irrespective of setting.
Remarks	

8) ON SCREEN DISPLAY

Selection	Selection between "Yes", "No" (loop provided)
Default	Yes
Explanation	<ul style="list-style-type: none"> • At the "No" setting, the following items are not displayed on screen: register, setting, adjustment menu, channel call and volume bar. <p>On the wide-screen models, an input selection is immediately made because the menu is not displayed.</p> <ul style="list-style-type: none"> • At the "Limited" setting, some items cannot be displayed on screen. <p>On the Japan-destined models, the channel call "Message" alone cannot be displayed. (This is because the channel call message may be confused with a message being sent from the hotel.)</p> <p>On the North America-destined models, the OSD works the same as at the "No" setting.</p>
Limit in Setting	<ul style="list-style-type: none"> • Keys falling under any of the following items become invalid. <ol style="list-style-type: none"> ① Appearance of screen changes and the sound changes. ② Personal functions which are hard to restore. <p>Screen display, menu, OFF-timer, ON-timer, AV MODE, screen size switching, clock setting, treble emphasis, AUDIO ONLY, sound changeover, LANGUAGE, CLOSED CAPTION</p>
Others	<ul style="list-style-type: none"> • Simple input switching is generated. Those which are restored soon after leaving as they are and may be requested for change by customer are not prohibited. <p>Brightness sensor (BACKLIGHT) and PIC. FLIP</p>
Exception	<ul style="list-style-type: none"> • Such a caution which is displayed independently is displayed as it is. <p>Non-responding signal caution</p>
Remarks	<ul style="list-style-type: none"> • When CC has already been ON, CLOSED CAPTION is displayed.

9) INPUT MODE START

Selection	Selection between "Normal", "Air (✳)", "INPUT 1/2/3", "PC", "HDMI 1/2/3/4/5", "DVI" (loop provided)
Default	Normal
Explanation	In power-ON, the input source to be started or channel can be set. (In standard mode, the operation follows the last memory.)
About options	<ul style="list-style-type: none"> • All the input sources in the model are made selectable. • In TV mode, the channel to be set follows the last memory and the content of the last memory is included in the notation by options. Ex.) Air (2), Cable (98.1) etc.
Limit in Setting	<ul style="list-style-type: none"> • The display of channel setting menu and the channel setting operation are prohibited.
Exception	
Remarks	<ul style="list-style-type: none"> • In setting at "Normal", the setting of "Input mode fixed" is changed to "Variable" and selection should be prohibited.

10) INPUT MODE FIXED

Selection	Selection between "Variable", "Fixed", "ACON (AC CTRL)" and "AC/RCON (AC/RC CTRL)" (loop provided)
Default	– (Variable)
Explanation	<ul style="list-style-type: none"> • At the "Fixed" setting, the TV set gets started with the settings of "Input mode start", and then any other channels and inputs are not accepted. • At the "ACON (AC CTRL)" setting, the TV set gets started with the settings of "Input mode start" under AC control. • At the "AC/RCON (AC/RC CTRL)" setting, the TV set gets started with the settings of "Input mode start" under either control.
Limit in Setting	<ul style="list-style-type: none"> • With the execution of hotel mode, the input source is forced to change to that set by "Input mode start" and the channel switching and input switching are prohibited thereafter. • ON-timer's (Wake-up timer) channel items are not displayed or the operation is prohibited. (Basically, they are not displayed.) • The following keys are invalidated. CH ▲ / ▼, direct tuning button, FLASHBACK, input <p>*However, the keys (input switching and CH ▲ / ▼ keys) of the unit for menu operation remain valid.</p>
Exception	None
Remarks	<ul style="list-style-type: none"> • In the following case, setting is cancelled and mode is changed to "Variable". ① When the setting of "Input mode start" is set to "Normal".

11) RC_PATH_THROUGH

Selection	Selection between "OFF", "ON: TV RCE" and "ON: TV RCD" (loop provided)
Default	OFF
Explanation	Function to feed the remote controller-received signal to Pin 9 (open) on the RS232C.
Limit in Setting	None
Exception	None
Remarks	None

12) AV POSITION FIXED

Selection	Selection between "Variable" and "Fixed" (loop provided)
Default	Variable
Explanation	<p>In case of "Fixed" setting,</p> <ul style="list-style-type: none"> – Menu "Picture" and "Audio" setting can't be changed like "Dynamic (Fixed)". – When "AV Mode" key is pressed, TV just displays current AV Mode (cannot be changed.).
Limit in Setting	None
Exception	None
Remarks	<ul style="list-style-type: none"> • When receiving with AV Position key, OPC, Dolby key and other direct audio select keys, the current display stays on and no setting can be changed. • Even by initializing personal information, the hotel-mode settings are kept intact. In this way, the AV positions, video and audio adjustment settings are not initialized.

13) LOUD SPEAKER (ON/OFF)

Selection	Selection between "ON" and "OFF" (loop provided)
Default	ON
Explanation	If "OFF" is selected, TV stops Speaker output even without Headphone connected.
Limit in Setting	None
Exception	None
Remarks	<ul style="list-style-type: none"> • Press the volume UP/DOWN key, and the mute icon appears for 4 seconds. • The mute key and audio-related keys are displayed with caution. • Usually, the headphones and monitor audio outputs can be adjustable.

14) 232C POWON

Selection	Selection between "Disable" and "Enable" (loop provided)
Default	Disable
Explanation	In the standby mode, the power-on by the 232C command is enabled or disabled.
Limit in Setting	None
Exception	None
Remarks	None

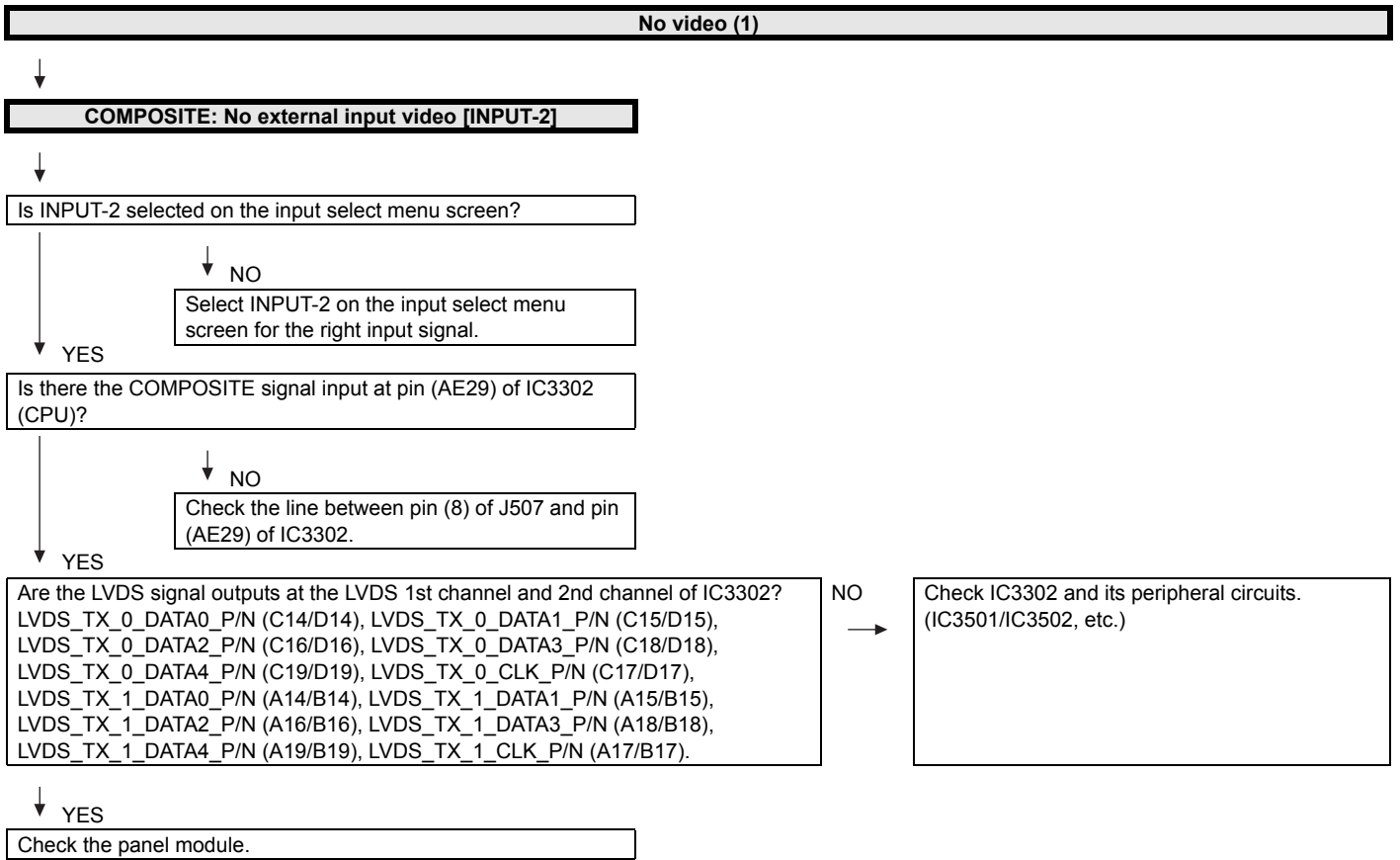
LC-40/46/52/60LE810UN (1st Edition)

15)PUBLIC MODE (ON/OFF)

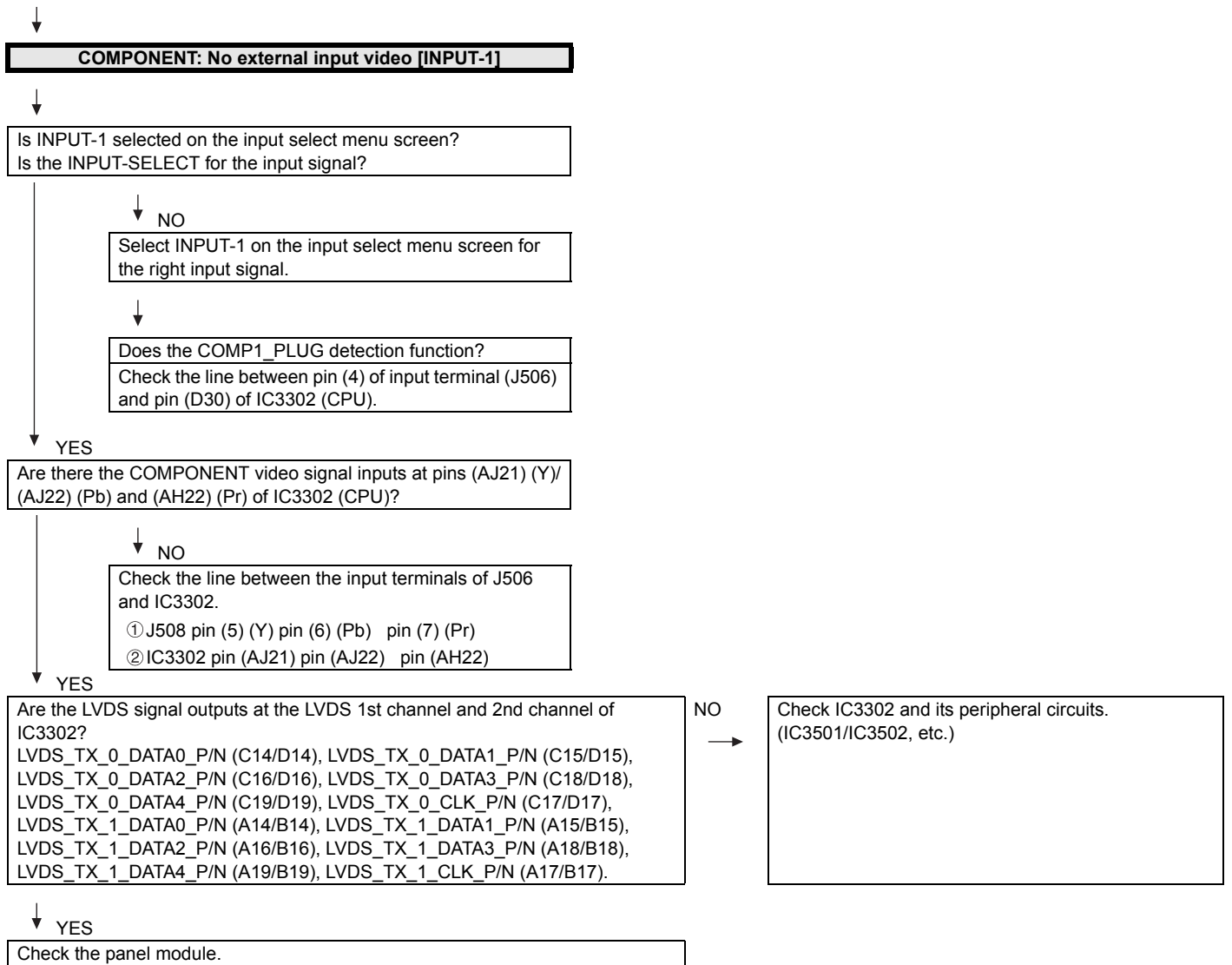
Selection	Selection between "ON" and "OFF" (loop provided)
Default	OFF
Explanation	In case of "ON", public mode settings are effected.
Limit in Setting	None
Exception	None
Remarks	The public-mode settings are operable only when this item is set at ON.

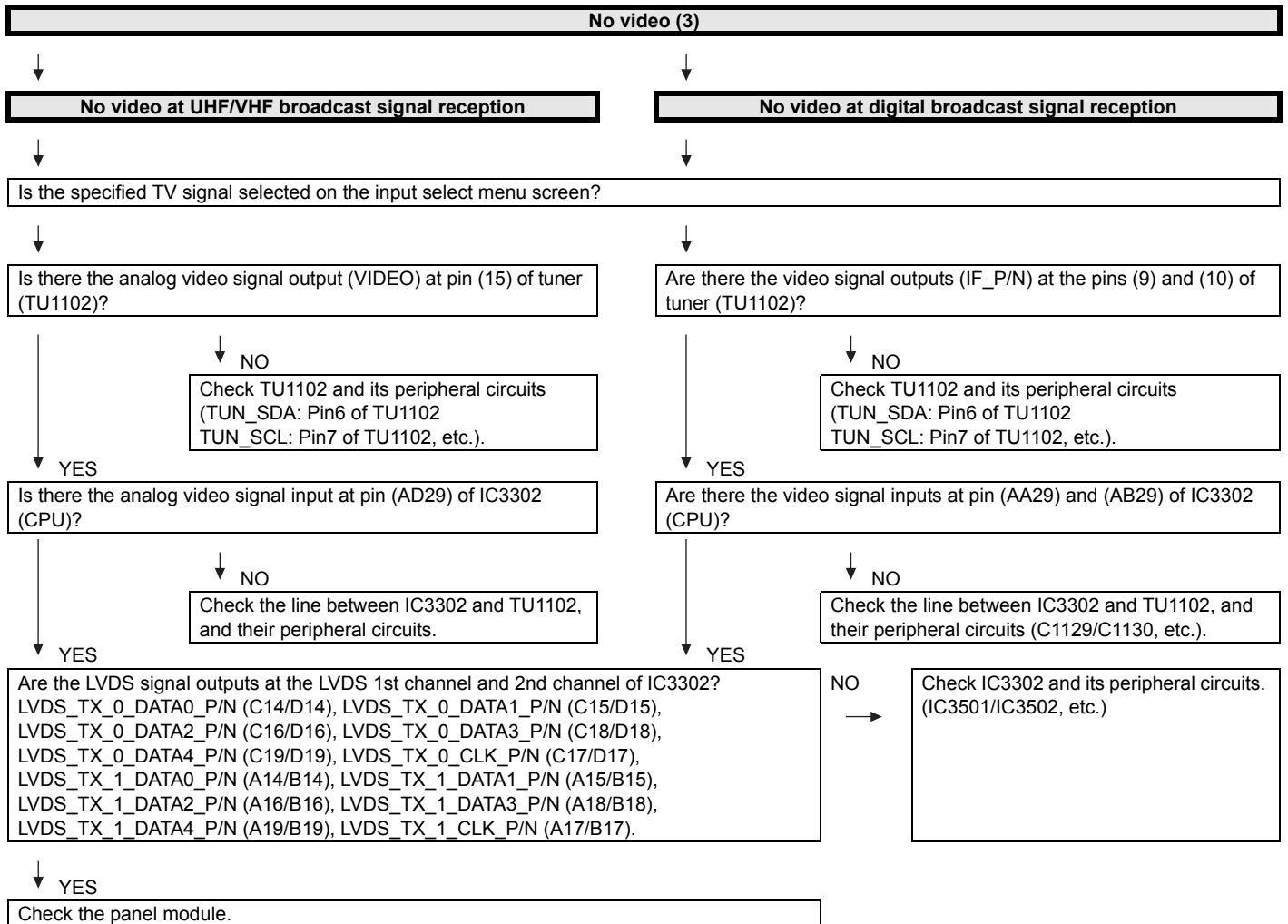
CHAPTER 6. TROUBLESHOOTING TABLE

[1] TROUBLESHOOTING TABLE



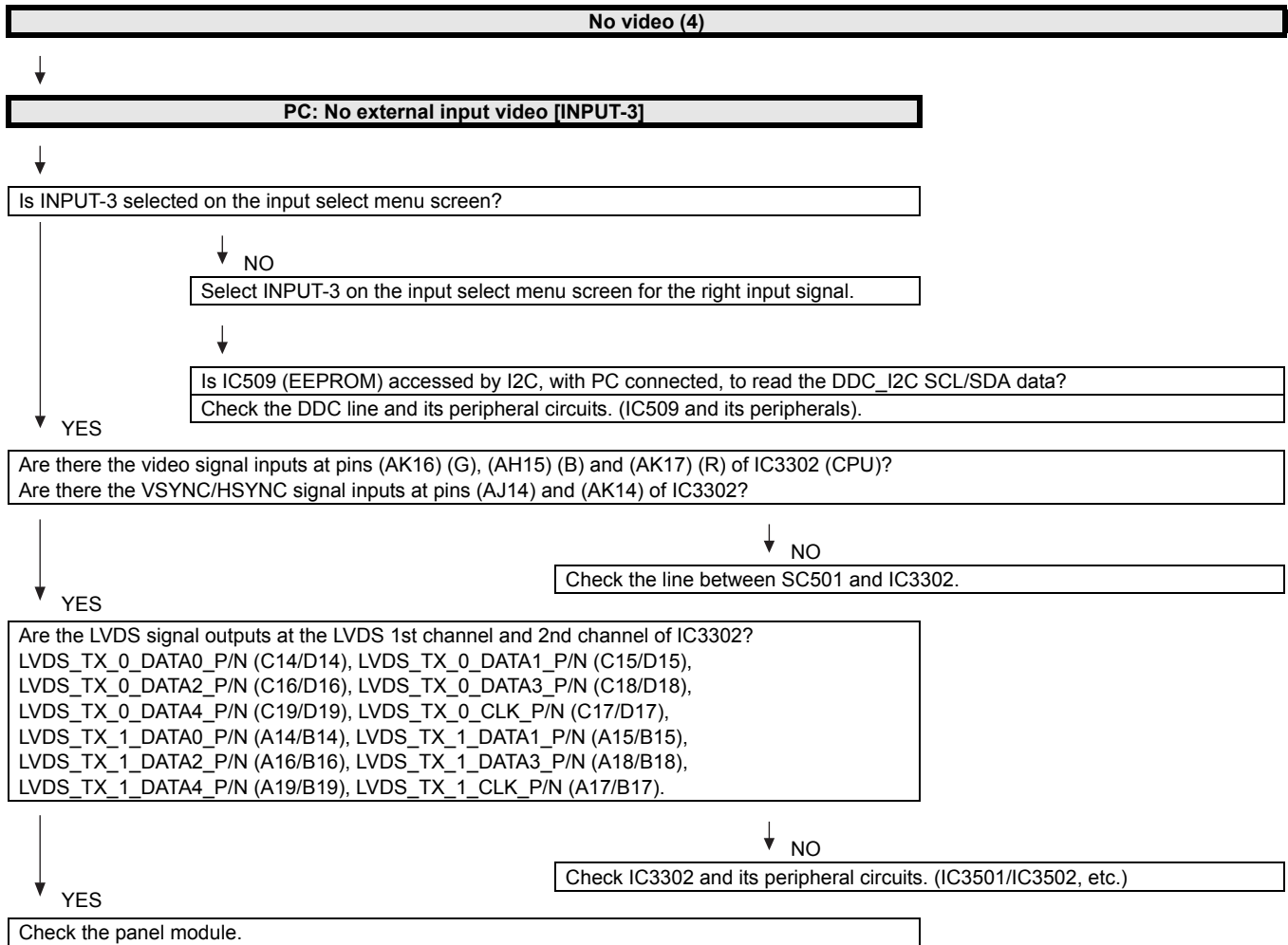
No video (2)

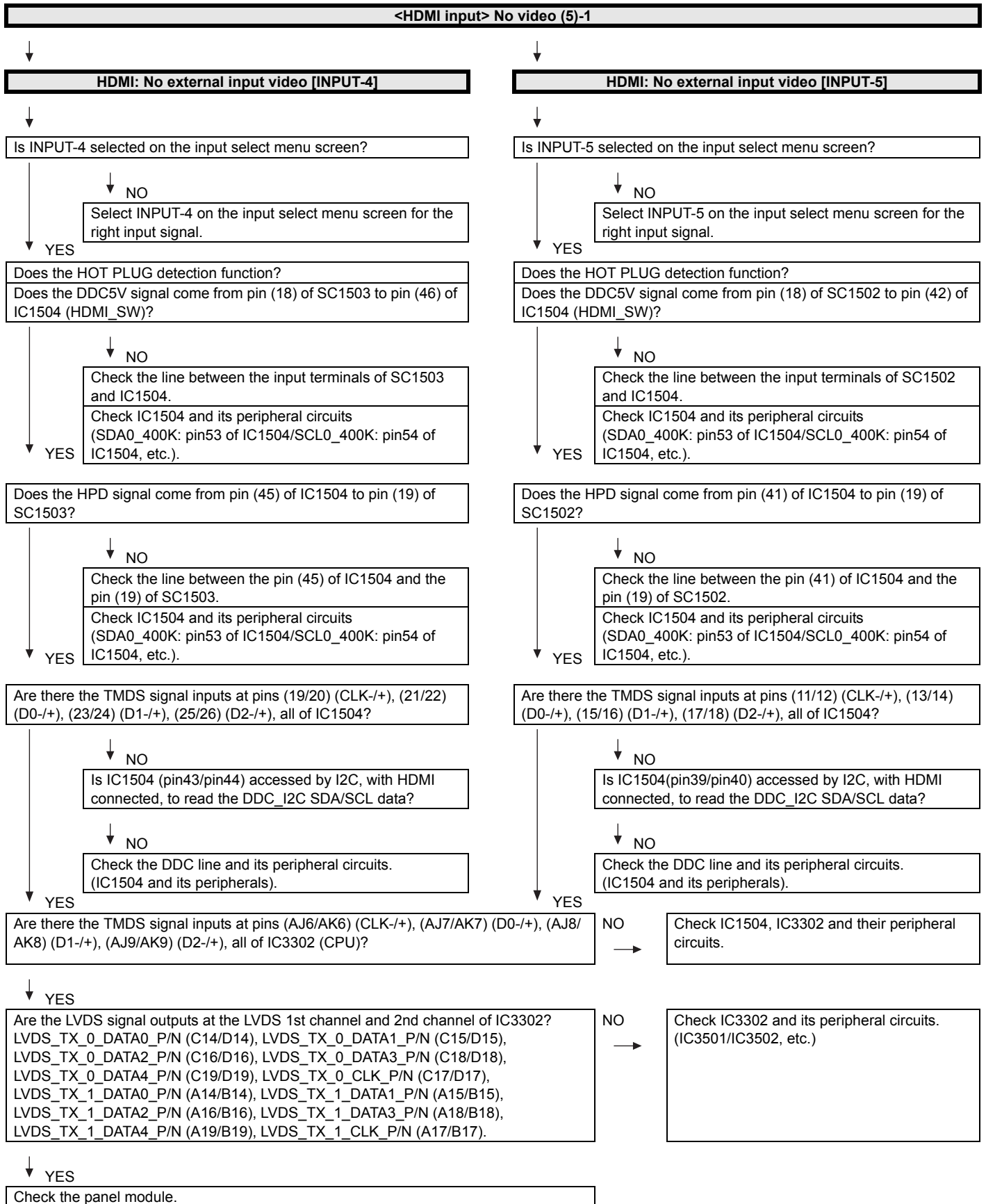


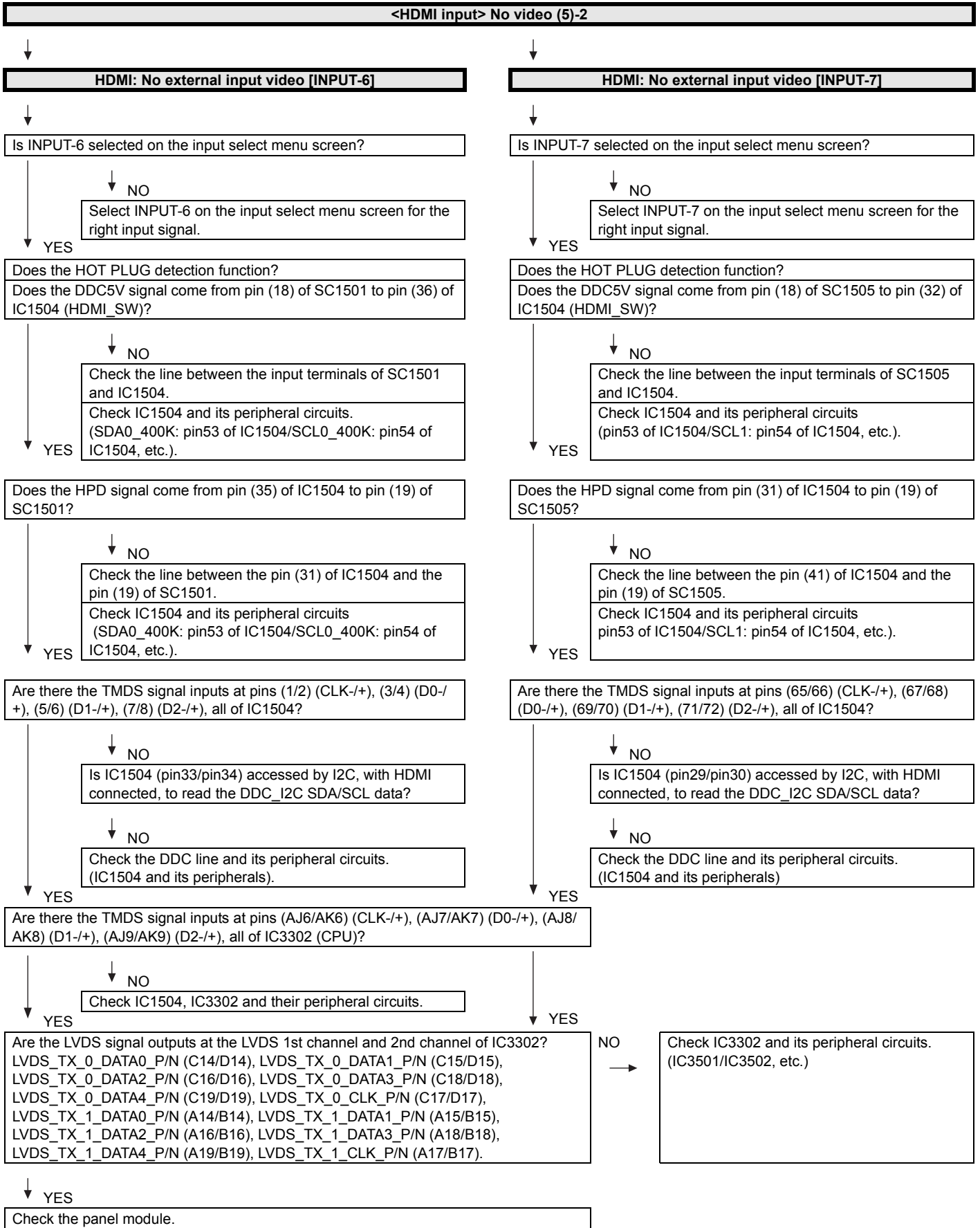


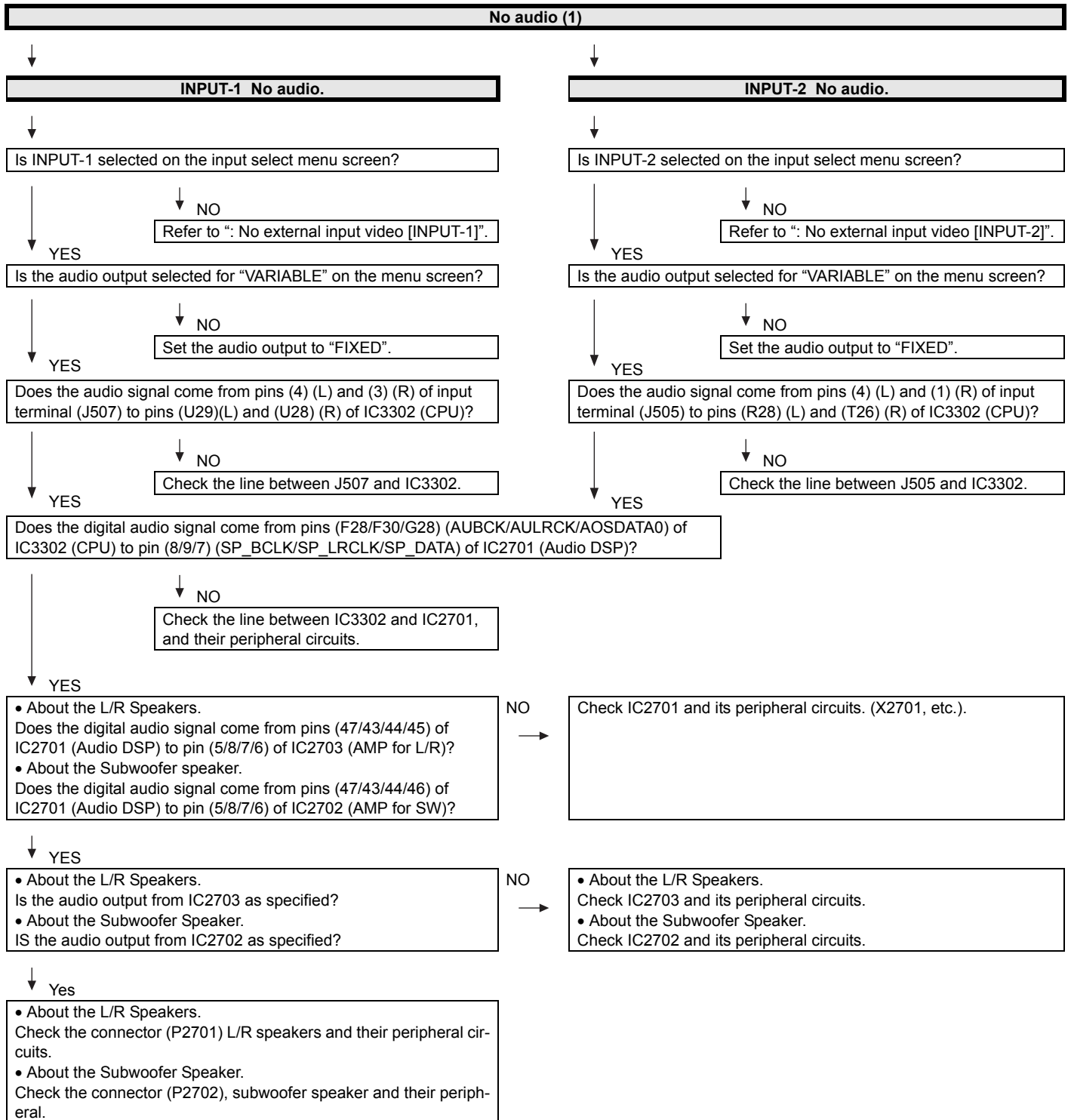
↓ NO

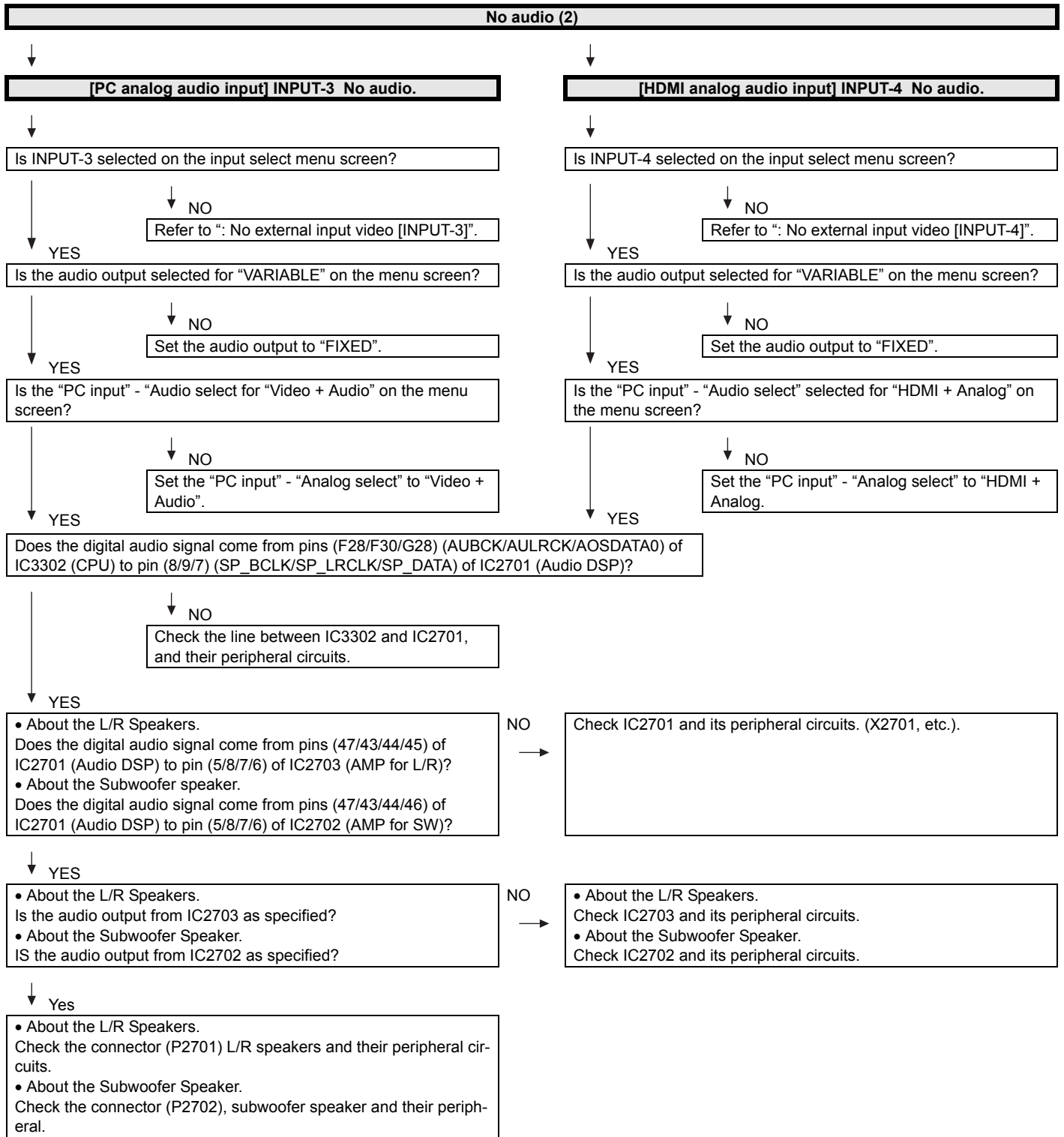
Check IC3302 and its peripheral circuits. (IC3501/IC3502, etc.)

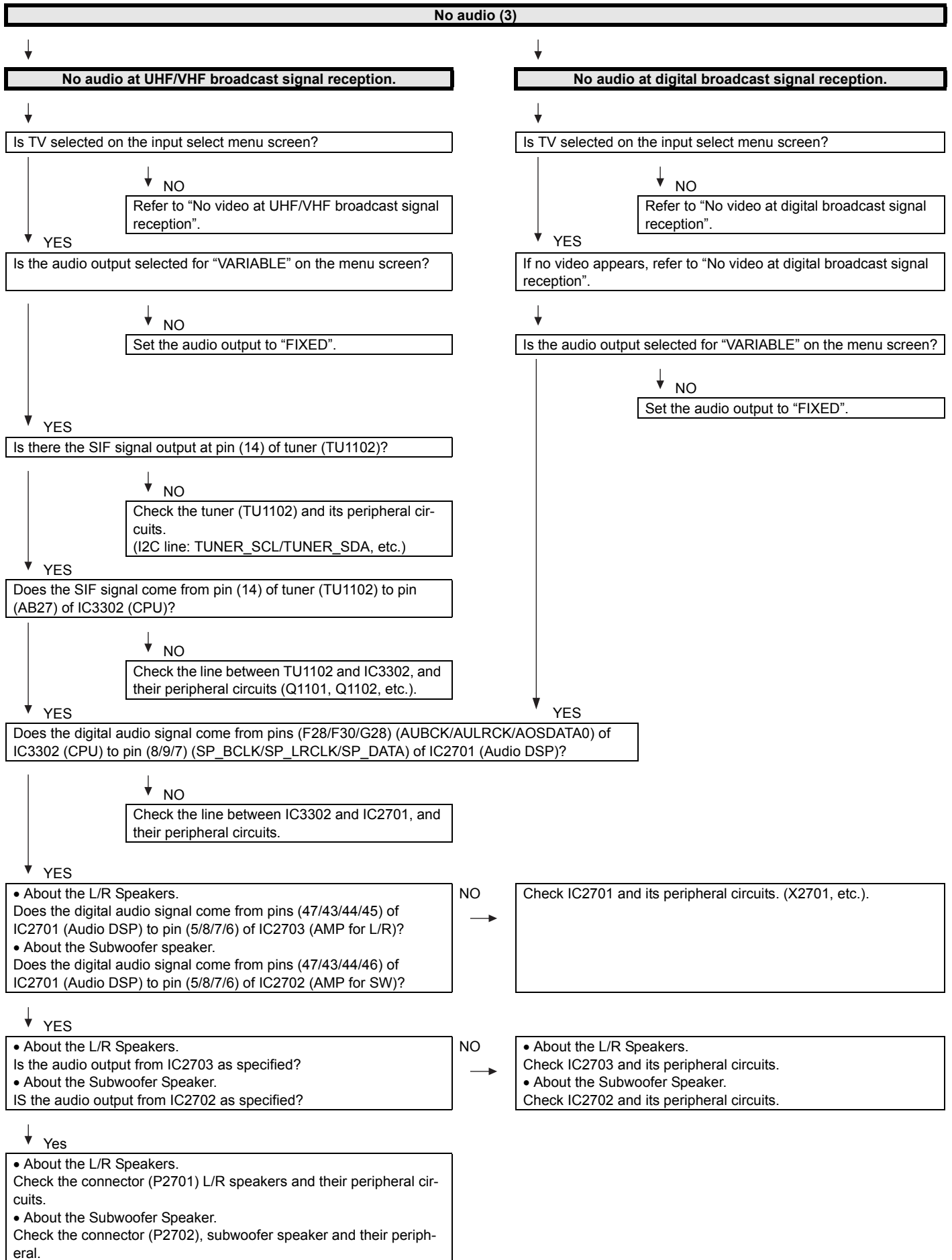


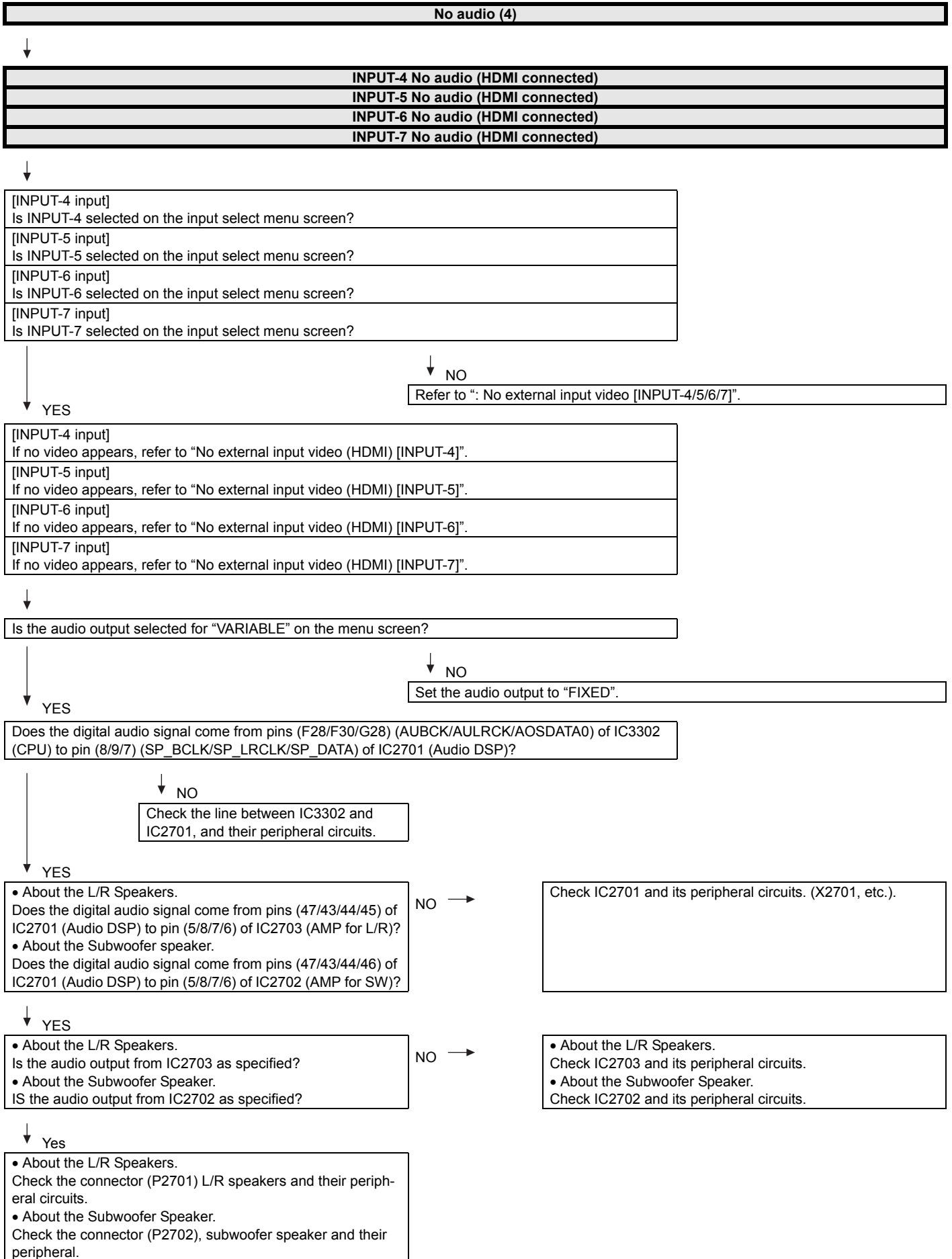




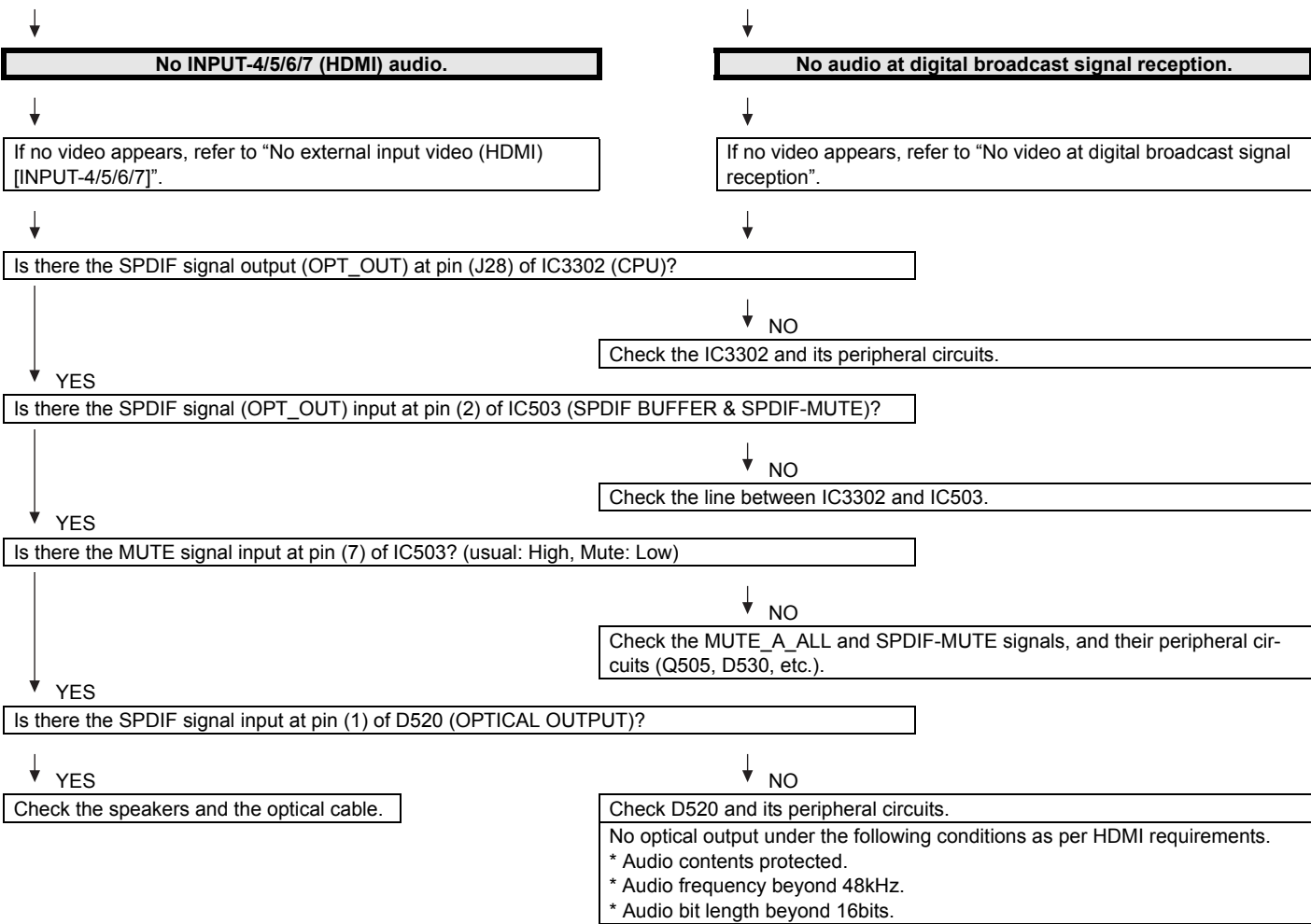




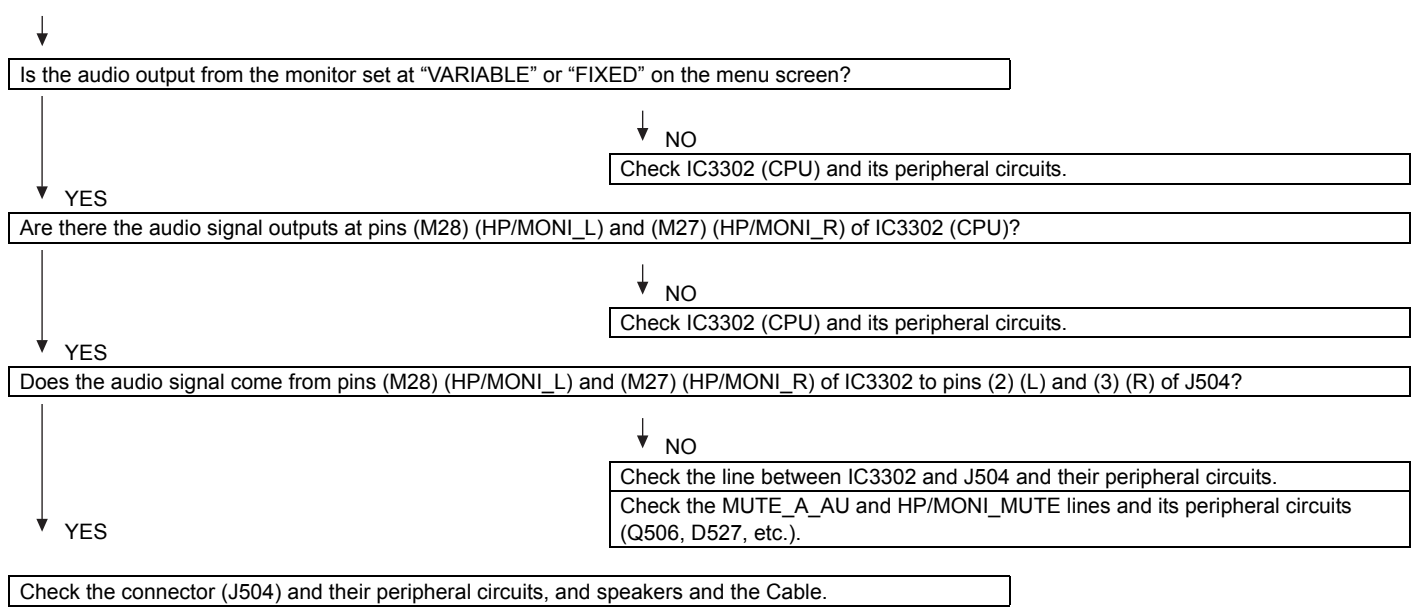




No audio signal at Digital Audio Output terminal (Analog sound heard)



No monitor audio output



No connect network

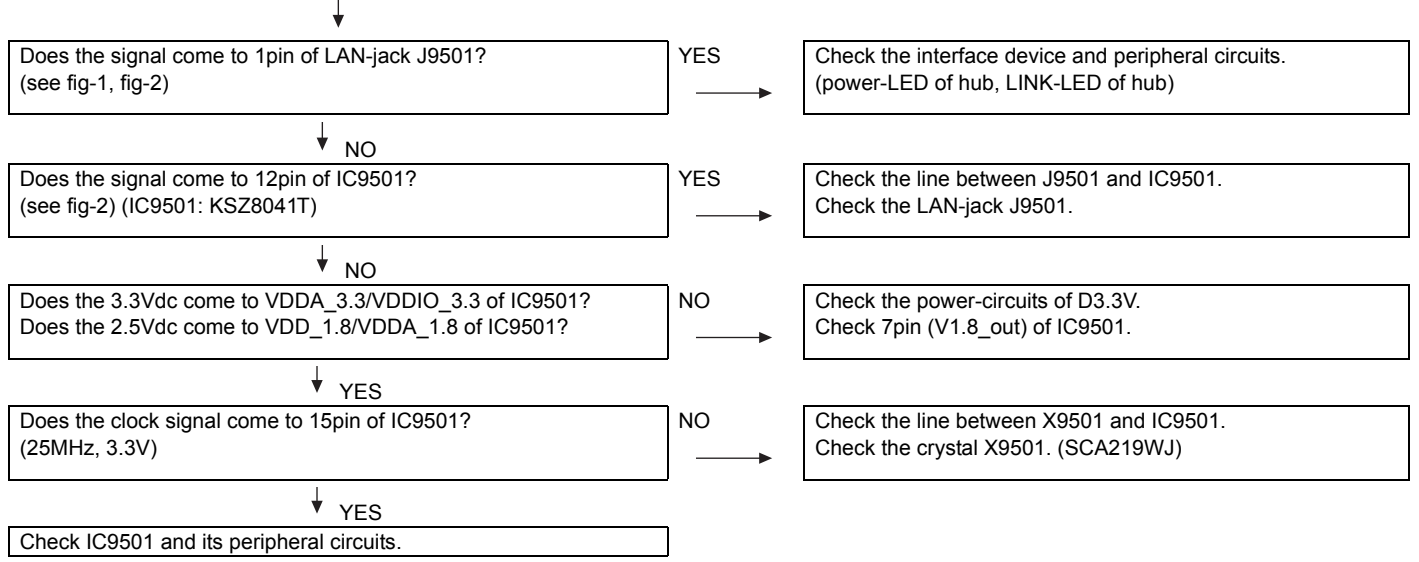


fig-1 LAN-jack J9501

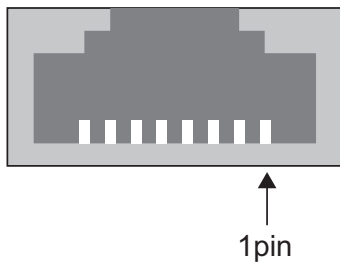
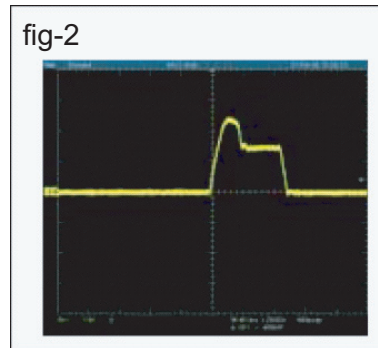
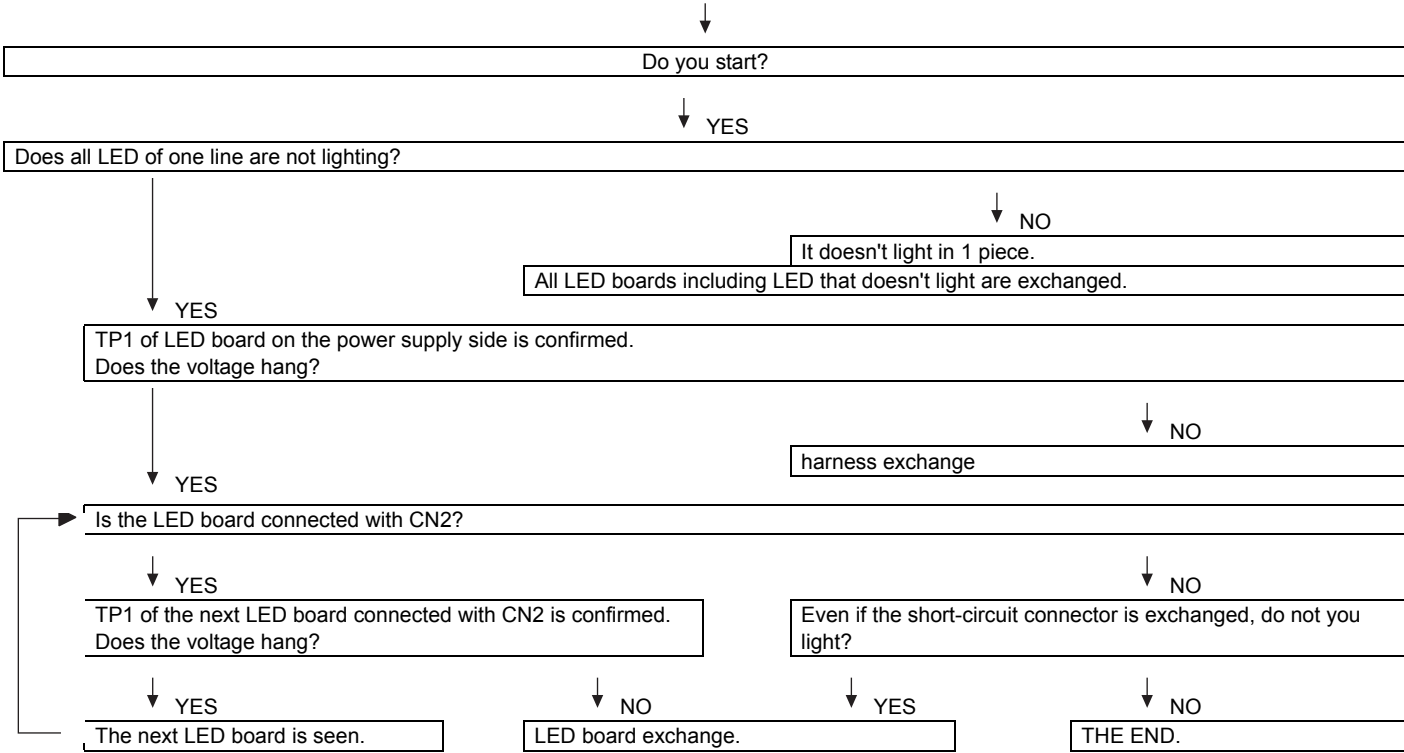


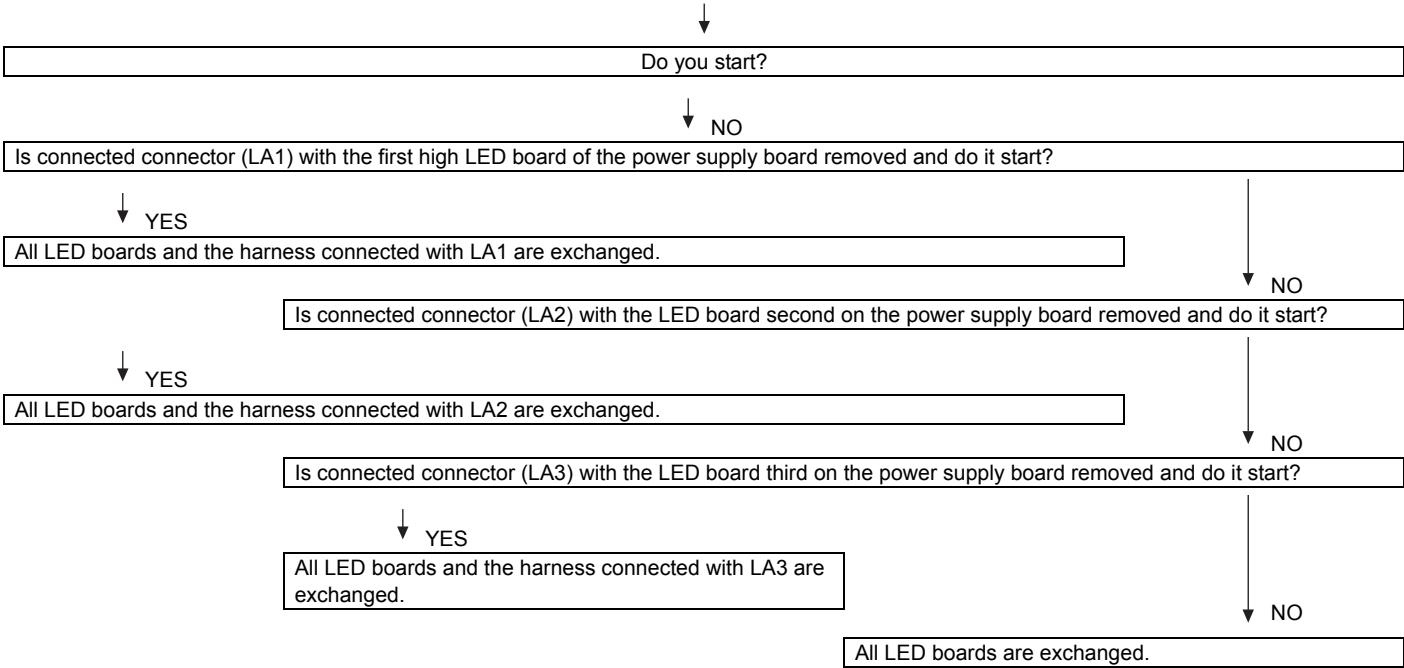
fig-2

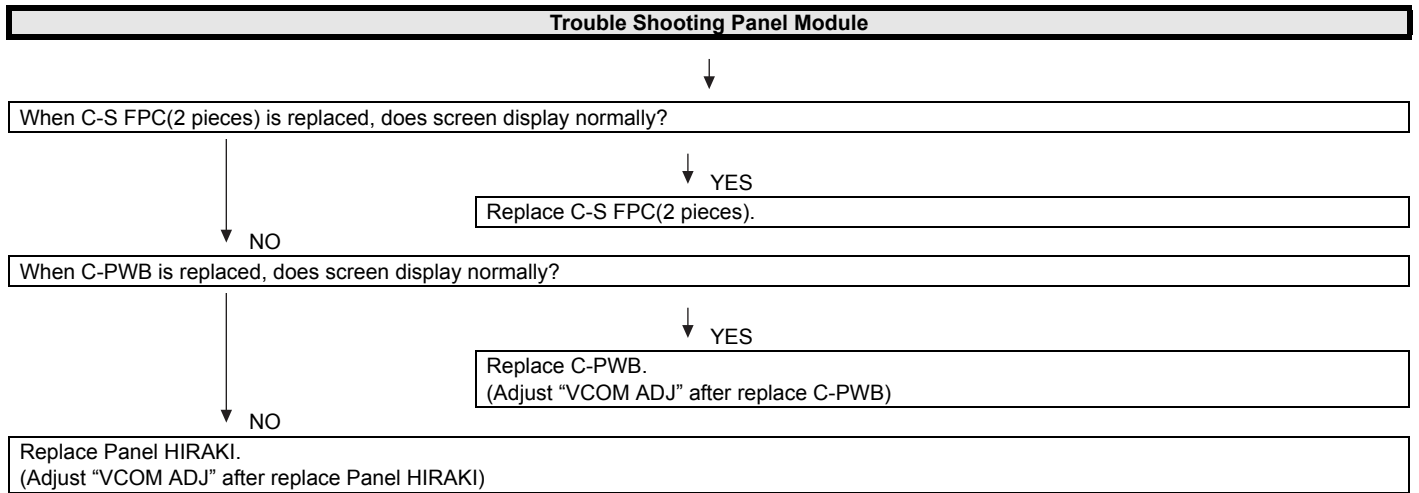


**If it is not an error of power supply/LED driver,
It is start-up in the lamp error disregard mode.**



**If it is not an error of power supply/LED driver,
It is start-up in the lamp error disregard mode.**





[2] LED flashing specification at the time of an error (Center icon LED used)

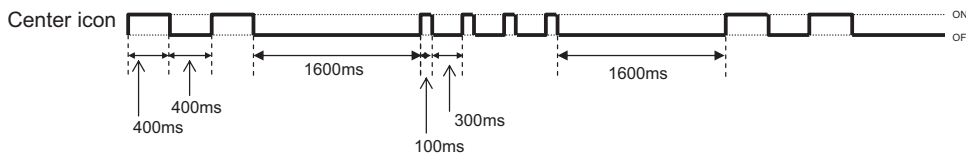
1. Display method

- Since only the center icon LED can be used, slow flashing and fast flashing are combined.
- Refer to Table 1.
- The Start from the detail display. (No outline display)
- After recovering from an error, if the same error cannot be generated again, refer to MONITOR ERR CAUSE on the process screen.
- During version upgrade, the brightness of the flashing LED changes smoothly.
- When completing version upgrade, the brightness of the LED changes in a staircase pattern.

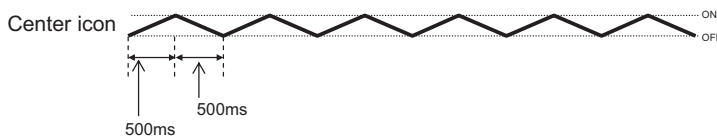
2. LED flashing method

Error flashing

<Detail display example>



Flashing during Verup



Flashing when completing Verup

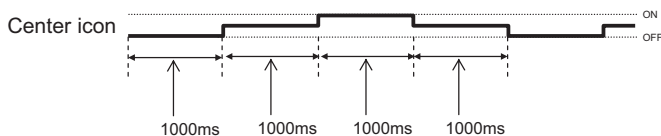


Table 1. Concrete flashing pattern

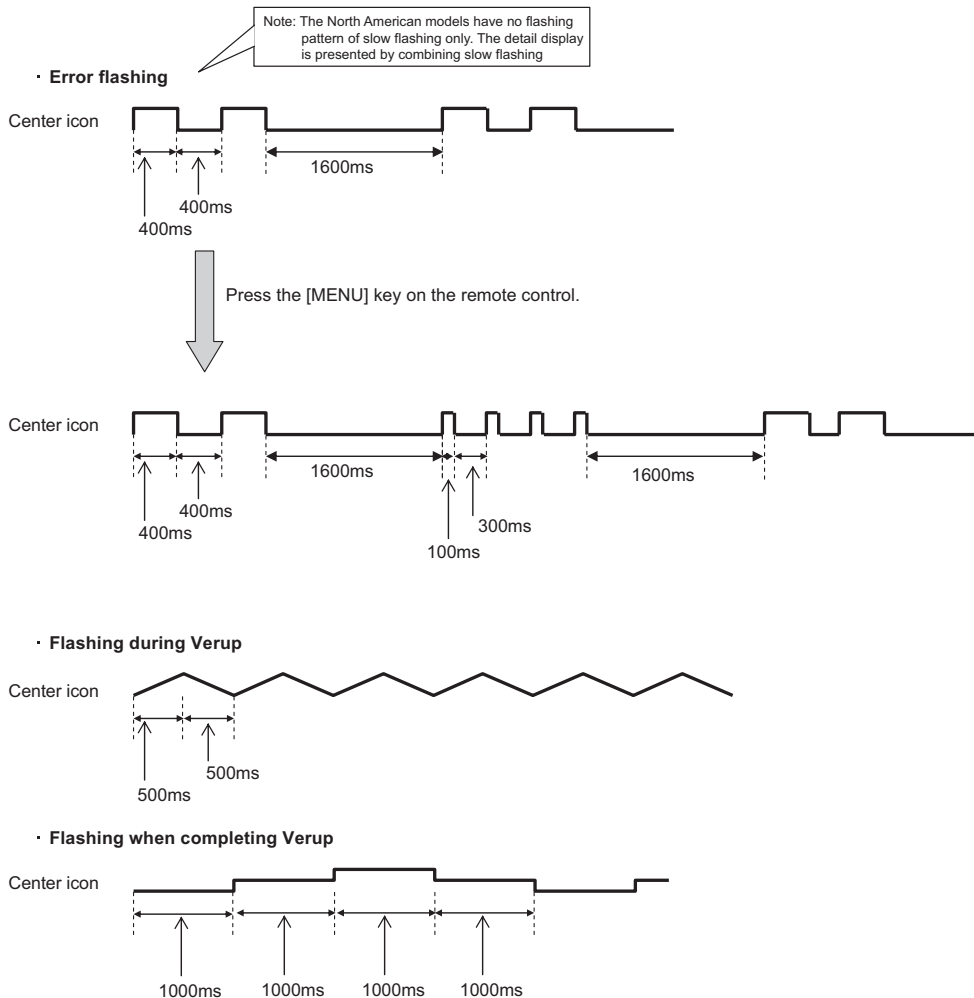
Item	Outline display		Detail display		Cause
	Slow flashing	Fast flashing	Slow flashing	Fast flashing	
Inverter/Lamp system failure	Flashes once	None	Flashes once	Flashes once	Lamp error
Power PWB failure (Power failure, etc.)	Flashes twice	None	Flashes twice	Flashes once	Power supply error 1 (*2) AC_DET error
				Flashes twice	Power supply error 2 (*2) UR+13V error
				Flashes 3 times	Power supply error 3 (*2) D3.3V error
				Flashes 5 times	Panel power supply error
Main PWB failure (Communication failure, etc.)	Flashes 3 times	None	Flashes 3 times	Flashes once	Initial communication error
				Flashes twice	Start-up confirmation communication error
				Flashes 3 times	Regular communication error
				Flashes 5 times	Other communication error
Others	Flashes 4 times	None	Flashes 4 times	Flashes once	Temperature error
				Flashes twice	Sync error
				Flashes 3 times	Notification from the main microcomputer (*3)
VerUP executing	Flashes smoothly	None	—	—	Version upgrading
VerUP succeeded	Flashes in a staircase pattern	None	—	—	Version upgrade succeeded
VerUP failed	None	Flashes continuously	—	—	Version upgrade failed
ROM data failure	None	Flashes continuously	—	—	Start-up after failing version upgrade (*4)

*2: They depend on the system. Power supply error is defined from product to product.

*3: For details, refer to ERROR STANDBY CAUSE on the adjustment process screen.

*4: If the boot section is abnormal, there is no flashing (flashing impossible).

3. New method



LED flashing timing chart at the time of an error



1) Slow flashing

Note

Error type	Center icon LED operation	Pins are monitor microcomputer pins.
Inverter/ Lamp failure Flashes slowly once	H: On L: Off	Refer to "Inverter/Lamp failure details". Flashes slowly and fast by pressing the [MENU] key on the remote control (refer to 2 below).
Power failure Flashes slowly twice	H: On L: Off	Refer to "Power failure details". Flashes slowly and fast by pressing the [MENU] key on the remote control (refer to 3 below).
Main CPU to main CPU communication failure Flashes slowly 3 times	H: On L: Off	Refer to "Communication failure details". Flashes slowly and fast by pressing the [MENU] key on the remote control (refer to 4 below). Communication line failure or main CPU communication failure. → Check debug statements for the main CPU.
Others Flashes slowly 4 times	H: On L: Off	Refer to "Other failure details". Flashes slowly and fast by pressing the [MENU] key on the remote control (refer to 5 below).

2) Inverter/Lamp failure details (Flashes slowly once and flashes fast)

Note

Error type	Center icon LED operation	Pins are monitor microcomputer pins unless otherwise specified.
Lamp failure Flashes fast once	H: On L: Off	ERR_PNL(40pin): Hi failure. Confirmed after 8 consecutive detections at 64msec intervals (detected only when the backlight is on). Note that after five detection counts, the lamp cannot be activated except in the monitor process. Accumulated counts are cleared to 0 by the setting in the process A.



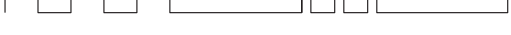

3) Power failure details (Flashes slowly twice and flashes fast)

Note

Error type	Center icon LED operation	Pins are monitor microcomputer pins unless otherwise specified.
PS_ON AC_DET failure Flashes fast once	H: On L: Off	AC_DET(72pin) failure (L). If error is detected during start-up or operation, the power is turned on again by interrupt (instantaneous blackout processing).
SM_POW Main 13V failure Flashes fast twice	H: On L: Off	DET_13V(38pin) failure (L). Main 13V is not applied. If error is detected during start-up or operation, the power is turned on again by polling.
D_POW Digital 3.3V failure Flashes fast 3 times	H: On L: Off	DET_D3V3(36pin) failure (L). Digital 3.3V is not applied. If error is detected during start-up or operation, the power is turned on again by polling.
PANEL_POW Panel 12V failure Flashes fast 5 times	H: On L: Off	DET_PNL12V(35pin) failure (L). Panel power is not applied. Detection is started after turning on the panel power and receiving command; the power is turned off by polling.



4) Communication failure details (Flashes slowly 3 times and flashes fast)

Note

Error type	Center icon LED operation	Basically, debug print logs are analyzed or communication logs are analyzed by a bus monitor.
Initial communication reception failure Flashes fast once	H: On  L: Off	Initial communication from the main CPU is not received. (Request for the monitor model No. is not received.) → Communication line failure or main CPU start-up failure
Start-up confirmation reception failure Flashes fast twice	H: On  L: Off	Start-up reason confirmation from the main CPU cannot be received. (Start-up communication until start-up reason notification command is not received.) → Main CPU start-up failure or monitor microcomputer reception failure
Regular communication failure Flashes fast 3 times	H: On  L: Off	Regular communication that is performed at 1 second intervals in the normal operation is interrupted. → Main CPU operation failure or monitor microcomputer reception failure
Other communication failure Flashes fast 5 times	H: On  L: Off	When a request (PM_REQ=H) is sent from the main microcomputer, the request command is not output from the main CPU, etc. → Main CPU operation failure or monitor microcomputer reception failure

5) Other failure details (Flashes slowly 4 times and flashes fast)

Note

Error type	Center icon LED operation	Pins are monitor microcomputer pins unless otherwise specified.
Monitor temperature failure Flashes fast once	H: On  L: Off	If the panel temperature is 60°C or more for 15 seconds or more in a row, CAUTION appears on the OSD (flashes in red in the lower right screen). If the panel temperature is 60°C or more for 25 seconds or more in a row, error standby is activated. (MONITOR MAX TEMP on page 23 of the process A: Change of temperature failure AD value): Thermistor
Main failure Flashes fast 3 times	H: On  L: Off	Main microcomputer detection error (CPU temperature error, etc.) The details are displayed on page 1 of the process A of the main microcomputer.

4. Monitor ERR STBY table

Outline: Communication/Power failure detected by the monitor microcomputer is stored on EEPROM, and the last 4 abnormal states can be confirmed in the process mode A.

Location: Page 1 of the process mode A: MONITOR ERR CAUSE
 "0" if there is no error. It is cleared to 0 on the last page of the process mode A.

Display	Error description	
02	Start-up communication error 2	Initial communication from the main CPU is not received.
03	Start-up communication error 3	Only the initial communication is received.
04	Start-up communication error 4	Until panel information request reception
05	Start-up communication error 5	Until initialization completion reception
06	Start-up communication error 6	Until version notification transmission
07	Start-up communication error 7	Until start-up information notification transmission
08	Start-up communication error 8	Until start-up information response reception
09	Start-up communication error 9	Until time-out setting reception
0A	Communication error A	REQ time-out
0B	Communication error B	Restart time-out during the beginning of time acquisition start-up
0C	Communication error C	Ending sequence time-out
0D	Communication error D	Preset start-up time-out during completion
0E	Communication error E	download, start-up time-out
0F	Communication error F	Time acquisition time-out
11	Communication error H	Regular communication time-out
16	Panel-related error	Lamp failure
1A	Other error 2	Monitor temperature failure
1D	Power supply error 1	PS_ON (AC_DET) failure
1E	Power supply error 2	D_POW (DET_13V) failure
1F	Power supply error 3	D_POW (DET_D3V3) failure
21	Power supply error 5	Panel power failure
23	Other error 3	Error standby request from the main CPU

CHAPTER 7. MAJOR IC INFORMATIONS

[1] MAJOR IC INFORMATIONS

1. MAJOR IC INFORMATIONS

1.1. IC1504 (VHiSi9287+-1Q)

This IC is 4 input and 1 output HDMI port processor.

It integrated TMDS receiver and transmitter cores capable of receiving and transmitting at 2.25Gbps. (Supports video resolutions up to 1080p, 60Hz, 12bit.)

The Equalizer circuits to adapt long cable are integrated in This IC.

EDID and DDC support for 4 HDMI/DVI ports and 1 VGA port.(This IC includes 256-byte NVRAM and 256-byte SRAM for each port(5 total).)

1.2. IC2002 (RH-iXC786WJN4Q)

The monitor microprocessor is intended to communicate with the main microprocessor and to operate the system.

It also controls power of the entire system.

1.3. IC2702, IC2703 (VHiYDA164QZ-1Y)

The Class-D type digital audio power amplifier YDA164QZ gives maximum continuous output of 10 W/ch or woofer output 15W.

1.4. IC3302 (RH-iXD058WJQZQ)

This LSI is FULL HIGH-DEFINITION 1080P DIGITAL TV SYSTEM-ON-A-CHIP.

It combines a cable/terrestrial 64/256-QAM and 8-VSB receiver, a transport processor, a digital audio processor, a high definition (HD) MPEG video decoder, 2D graphics processing, digital processing of analog video and audio, analog video digitizer and DAC functions, stereo high-fidelity audio DACs, HDMI receivers for 1080p 60 inputs, a 625-MHz processor, and a peripheral control unit providing a variety of television control functions.

The cable/terrestrial receiver directly samples a tuner output with an analog-to-digital converter (ADC).

The LSI digitally resample and demodulates the signal with recovered clock and carrier timing, filters and equalizes the data, and passes soft decisions to an ATSC/A74 and ITU-T J.83 Annex B-compatible decoder.

It has an MPEG-2 Digital Video Broadcasting (DVB)-compliant transport processor with advanced section filtering capability, DVB descrambler, and an MPEG-2 (MP@HL profile) video decoder.

Audio support includes a BTSC and a Dolby AC3/MPEG-2 Layer 1, 2, audio decoder.

The LSI provides analog and digital audio/video outputs.

A SPDIF output and a pair of analog outputs (L-R) are provided via the integrated audio DACs.

The NTSC analog video decoder is supported by its own motion adaptive deinterlacing and 3D comb filtering, including 1080i deinterlacing.

The LSI includes advanced 2D graphics processing.

One transport stream input is included.

The LSI incorporates a complete ARM11-based microprocessor subsystem including caches with bridging to memory and a local bus, where external peripherals can be attached.

Integrated peripherals include two USB 2.0, three UARTs, counter/timers and GPIO controllers.

In this time, H264 decode/VC-I decode/secure boot function are added to this IC.

1.5. IC3501/IC3502 (RH-iXC754WJQZQ)

These are 1G bit (64M x 16bit) DDR2-1066 synchronous DRAM.

1.6. IC8401 (RH-iXC894WJQZQ)

The 512M-bit NAND flash memory device stores the main CPU program.

1.7. IC8455 (VHiR24064AS-1Y)

This is 64k-bit EEPROM device including the user setting.

1.8. IC506 (VHiM3221EiP-1Y)

This IC is a high speed, single-channel RS-232 transceiver interface device that operates from a single 3.3V power supply.

The device provides the electrical interface between an asynchronous communication controller and the serial-port connector.

This device operate at data signaling rates up to 460kbit/s.

All RS-232(Tout and Rin) and CMOS (Tin and Rout) inputs and outputs are protected against electrostatic discharge (up to +/- 15kV ESD protection).

1.9. IC9501(VHiKSZ8041T-1Y)

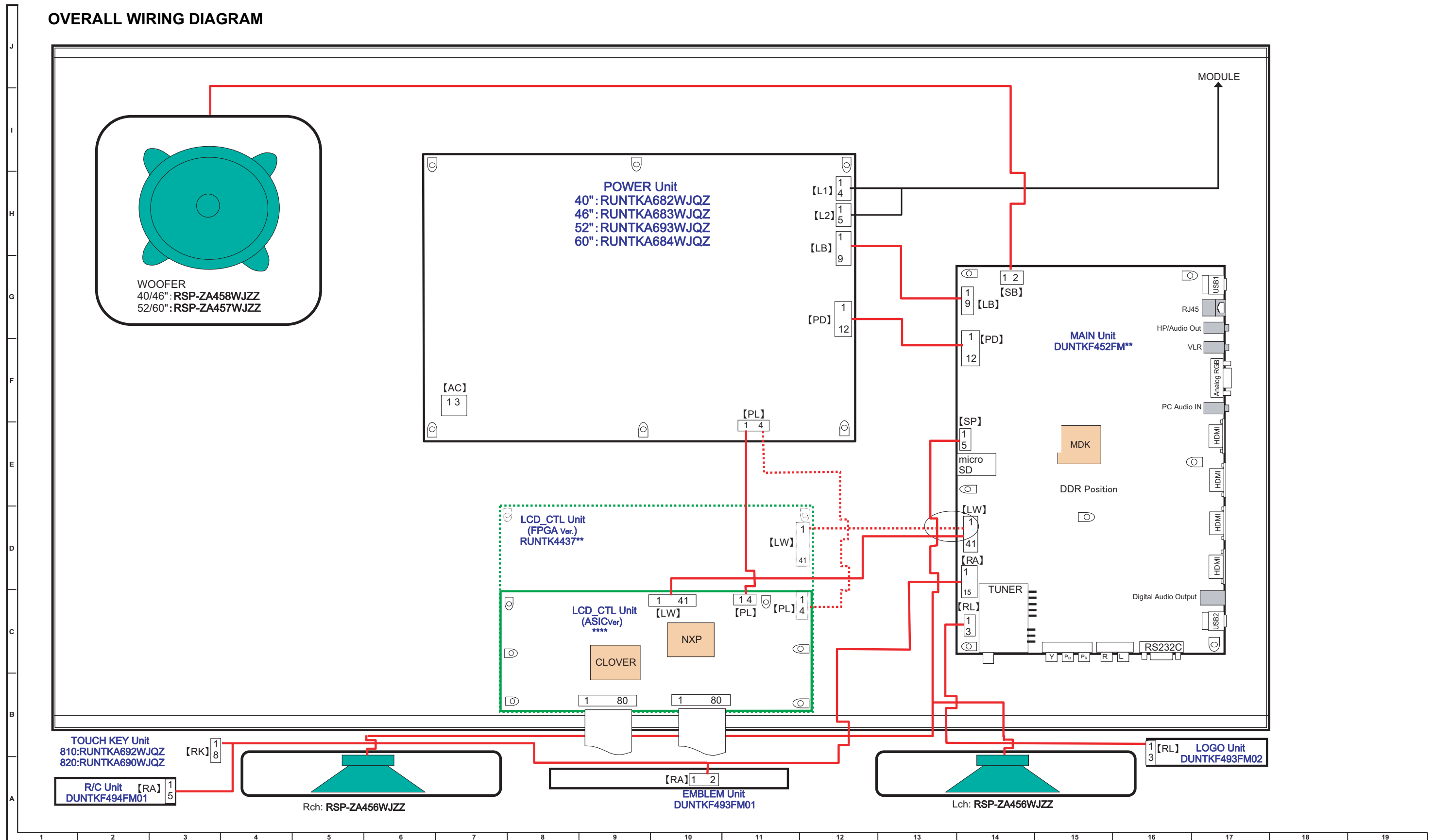
This IC is a single supply 10Base-T/100Base-TX Physical Layer Transceiver, which provides MII/RMII/SMII interfaces to transmit and receive data.

1.10. IC2701 (VHiYSS951VZ-1Y)

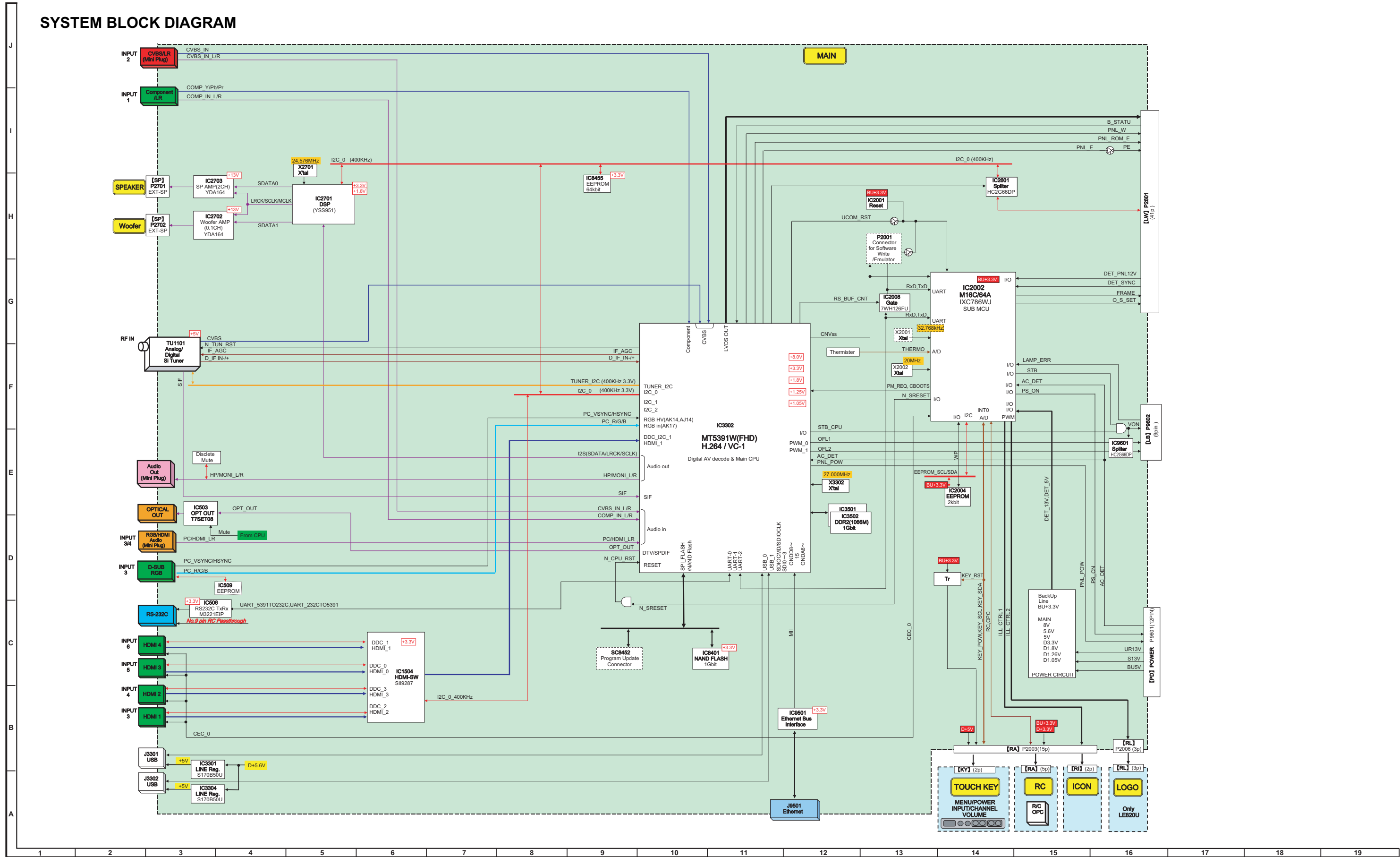
Audio DSP (YSS951VZ) has digital audio adjustment function (for example, PEQ, bass/treble, balance, bass enhancer, etc.) and adjusts TVs audio quality.

CHAPTER 8. OVERALL WIRING/SYSTEM BLOCK DIAGRAM

[1] OVERALL WIRING DIAGRAM



[2] SYSTEM BLOCK DIAGRAM



SHARP PARTS GUIDE

No. S30E840LE810U



LCD COLOR TELEVISION

LC-40LE810UN
LC-46LE810UN
LC-52LE810UN
MODELS LC-60LE810UN

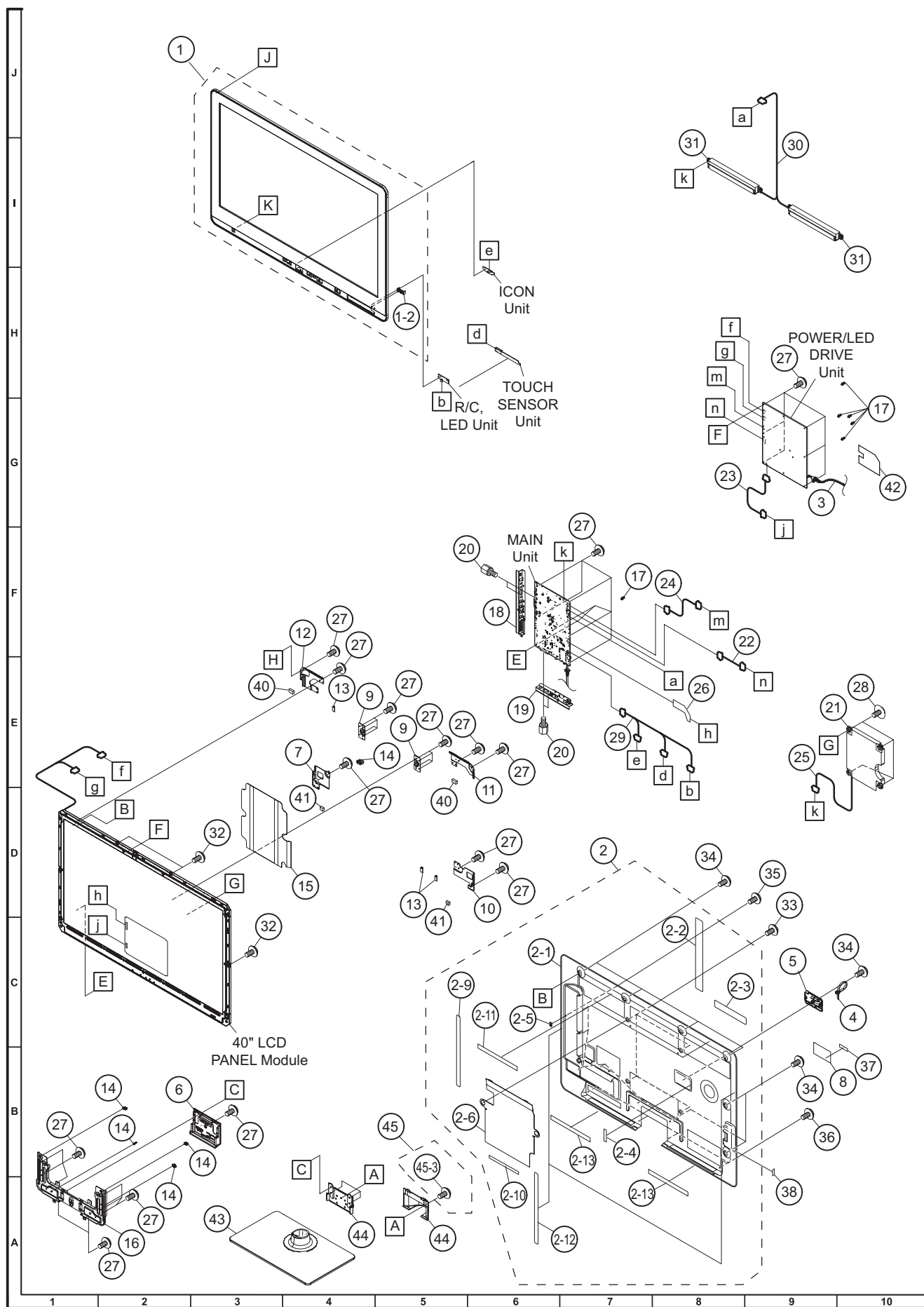
CONTENTS

- | | |
|-------------------------------------------------|-------------------------------------------------------------|
| [1] PRINTED WIRING BOARD ASSEMBLIES | [7] SUPPLIED ACCESSORIES |
| [2] LCD PANEL | [8] PACKING PARTS (LC-40LE810UN)
(NOT REPLACEMENT ITEM) |
| [3] CABINET AND MECHANICAL PARTS (LC-40LE810UN) | [9] PACKING PARTS (LC-46LE810UN)
(NOT REPLACEMENT ITEM) |
| [4] CABINET AND MECHANICAL PARTS (LC-46LE810UN) | [10] PACKING PARTS (LC-52LE810UN)
(NOT REPLACEMENT ITEM) |
| [5] CABINET AND MECHANICAL PARTS (LC-52LE810UN) | [11] PACKING PARTS (LC-60LE810UN)
(NOT REPLACEMENT ITEM) |
| [6] CABINET AND MECHANICAL PARTS (LC-60LE810UN) | [12] SERVICE JIGS
(USE FOR SERVICING) |

Parts marked with "△" are important for maintaining the safety of the set. Be sure to replace these parts with specified ones for maintaining the safety and performance of the set.

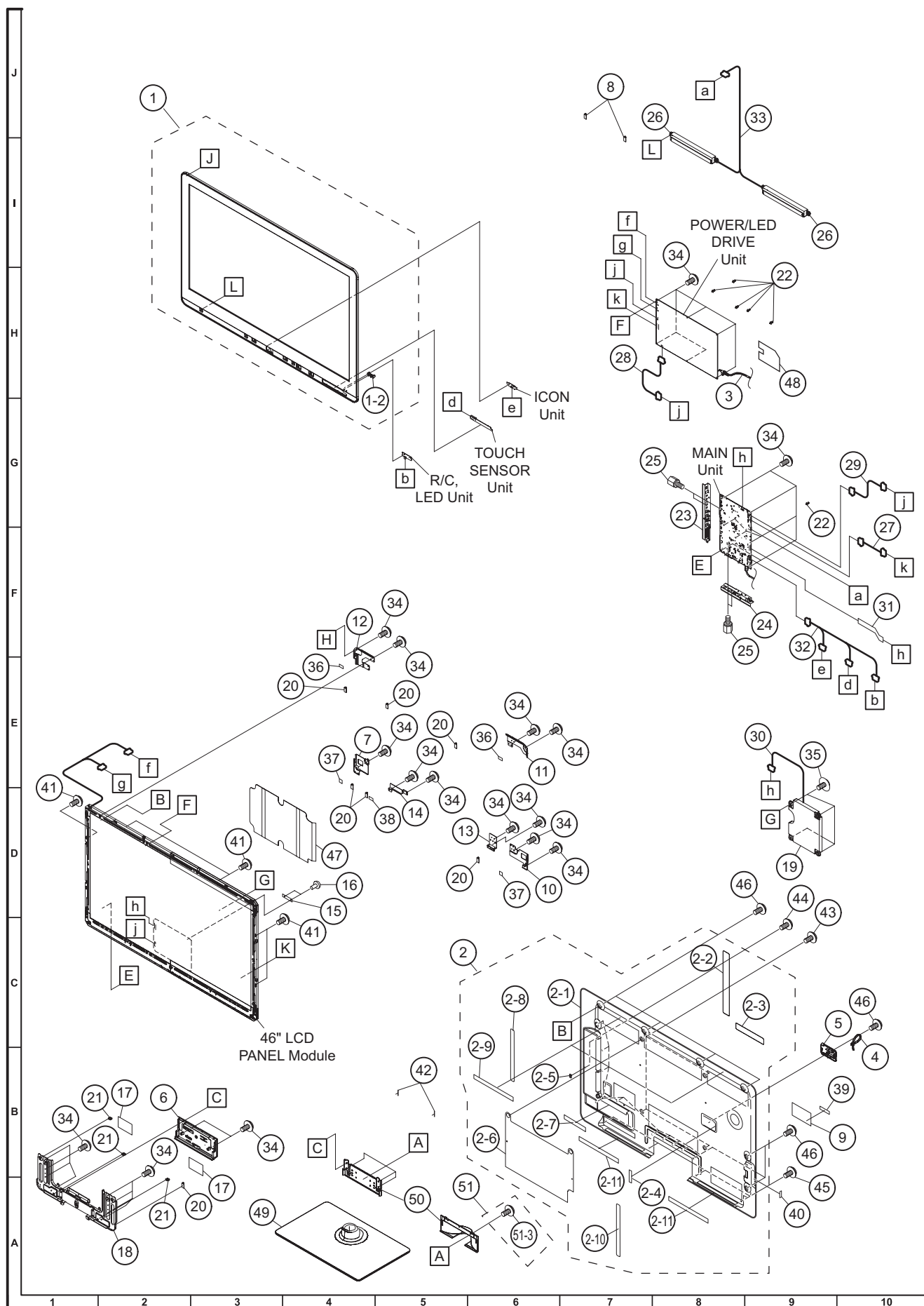
NO.	PARTS CODE	PRICE RANK	NEW MARK	PART DELIVERY	DESCRIPTION
[1] PRINTED WIRING BOARD ASSEMBLIES					
N	DKEYMF452FM01	BM	N	X	MAIN Unit
N	DUNTKF493FM01		N	X	ICON Unit
N	DUNTKF494FM01		N	X	R/C, LED Unit
N	RUNTKA692WJQZ	AS	N	X	KEY Unit
N	RUNTKA682WJQZ	BP	N	X	POWER/LED Drive Unit (LC-40LE810UN)
N	RUNTKA683WJQZ	BQ	N	X	POWER/LED Drive Unit (LC-46LE810UN)
N	RUNTKA693WJQZ		N	X	POWER/LED Drive Unit (LC-52LE810UN)
N	RUNTKA684WJQZ	BS	N	X	POWER/LED Drive Unit (LC-60LE810UN)
N	RUNTKA692WJQZ	AS	N	X	TOUCH SENSOR Unit
N	RUNTK4437TPZZ	CB	N	X	LCD CONTROL Unit (LC-40LE810UN)
N	RUNTK4437TPZA	CB	N	X	LCD CONTROL Unit (LC-46LE810UN)
N	RUNTK4437TPZB	CB	N	X	LCD CONTROL Unit (LC-52LE810UN)
N	RUNTK4437TPZC	CB	N	X	LCD CONTROL Unit (LC-60LE810UN)
N	RUNTK4462TPZZ	BD	N	X	LED PWB Unit (LC-40LE810UN), x4
N	RUNTK4461TPZZ	BE	N	X	LED PWB Unit (LC-46LE810UN), x4
N	RUNTK4460TPZZ	BF	N	X	LED PWB Unit (LC-52LE810UN), x4
N	RUNTK4458TPZZ	BH	N	X	LED PWB Unit (LC-60LE810UN), x4
N	RUNTK4459TPZZ	BB	N	X	LED PWB Unit (LC-60LE810UN), x4
[2] LCD PANEL					
N	R1LK400D3LWF2Z		N	X	40" LCD Panel Module Unit (LK400D3LWF2Z)
N	R1LK460D3LWA2Z		N	X	46" LCD Panel Module Unit (LK460D3LWA2Z)
N	R1LK520D3LWA2Z		N	X	52" LCD Panel Module Unit (LK520D3LWA2Z)
N	R1LK600D3LW2BZ		N	X	60" LCD Panel Module Unit (LK600D3LW2BZ)

[3] CABINET AND MECHANICAL PARTS (LC-40LE810UN)



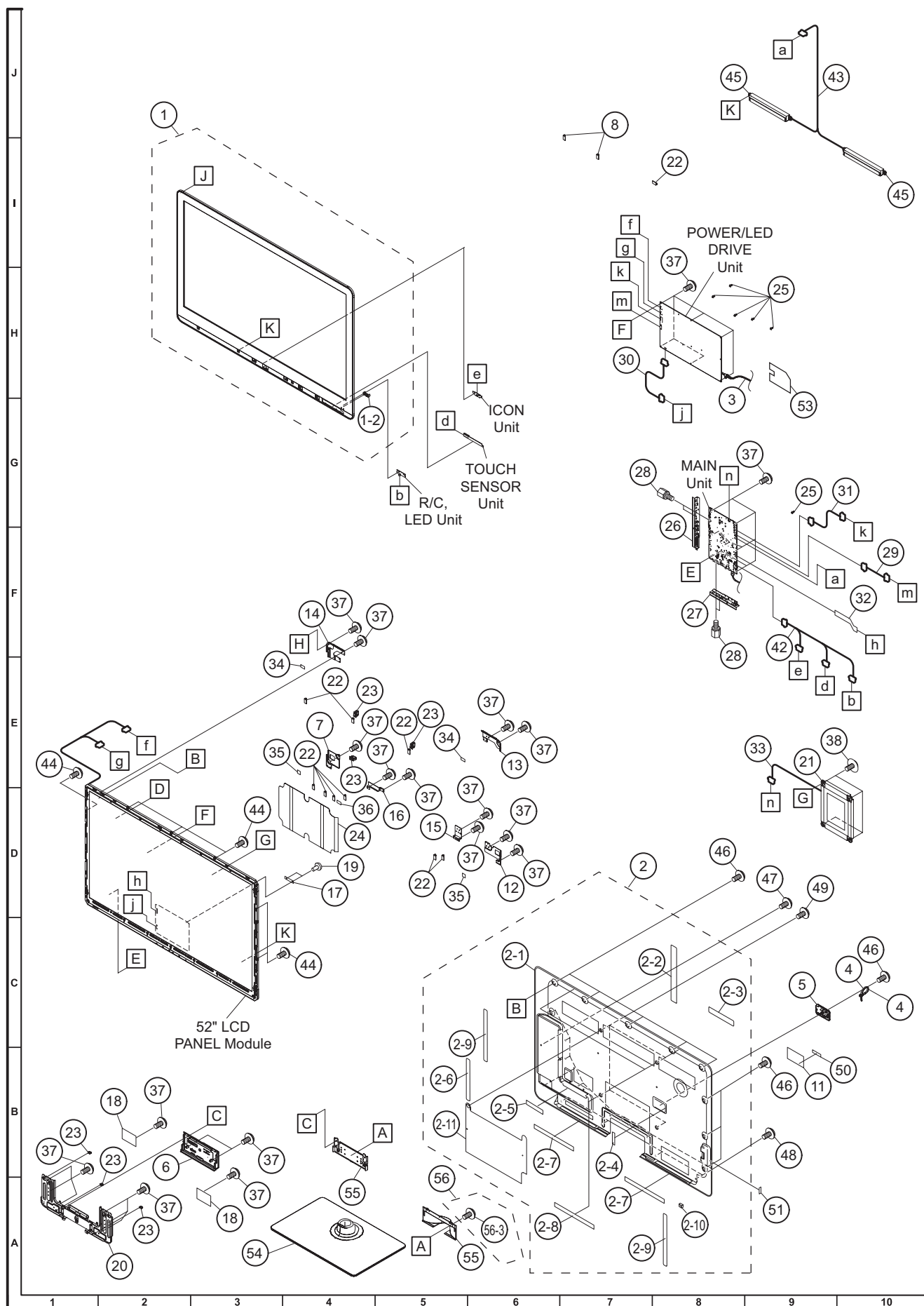
NO.	PARTS CODE	PRICE RANK	NEW MARK	PART DELIVERY	DESCRIPTION
[3] CABINET AND MECHANICAL PARTS (LC-40LE810UN)					
1	CCABAC527WJ31	BS	N	X	Front Cabinet Ass'y
1-2	HDECQB442WJ3A	AA	N	X	R/C Decoration Cover
2	CCABBB693WE01	BL	N	X	Rear Cabinet Ass'y
2-1	GCABBB693WJSA	BF	N	X	Rear Cabinet
2-2	HiNDPD877WJSA	AF	N	X	Terminal Label S
2-3	HiNDPD700WJSA	AD	N	X	Terminal Label B
2-4	PSPAHC152WJ3Z	AA	N	X	Spacer
2-5	PSPAZC461WJZZ	AC	N	X	Spacer A
2-6	PZETKA545WJKZ	AX	N	X	Insulator
2-9	PSPAHC159WJZZ	AA	N	X	300x10x0.5 Himeron
2-10	PSPAHC160WJZZ	AB	N	X	170x10x0.5 Himeron
2-11	PSPAHC166WJZZ	AB	N	X	445x8x0.5 Himeron, x2
2-12	PSPAHC167WJZZ	AB	N	X	555x8x0.5 Himeron, x2
2-13	PSPAHC168WJZZ	AB	N	X	565x8x0.5 Himeron, x2
3	QACDA074WJPZ	AG	N	X	AC Cord
4	LHLDKA011WJKZ	AB	N	X	AC Cord Band
5	GCOVAD699WJ3A	AC	N	X	AC Cord Cover
6	GCOVAD696WJ3A	AE	N	X	Stand Cover
7	LANGKC695WJFW	AD	N	X	LCD Fixing Metal Angle B-R
8	HiNDPD718WJSA	AB	N	X	Model Label
9	LANGKC689WJM1	AE	N	X	Vesa Angle, x2
10	LANGKC694WJFW	AD	N	X	LCD Fixing Metal Angle B-L
11	LANGKC696WJFW	AD	N	X	LCD Fixing Metal Angle T-L
12	CANGKC697WJ01		N	X	LCD Fixing Metal Angle T-R Ass'y
12-1	LANGKC697WJFW	AD	N	X	LCD Fixing Metal Angle T-R
12-2	PSPAHC165WJZZ	AA	N	X	Himeron
13	LHLDWA175WJUJ	AC		J	Holder, x3
14	LHLDWA298WJKA	AD	N	J	Holder, x5
15	PZETKA544WJKZ	AV	N	X	Insulator
16	CANGKC699WJ31	AR	N	X	Stand Angle Ass'y
16-1	LANGKC699WJFW	AQ	N	X	Stand Angle
16-2	Not available	-	N	X	Spacer, x2
17	LHLDZA587WJKZ	AC		J	Holder, x6
18	GCOVAD734WJ00	AF	N	X	Terminal Cover S
19	GCOVAD735WJ00	AE	N	X	Terminal Cover B
20	NSFTZA362WJFW	AA	N	X	Shaft, x4
21	RSP-ZA458WJZZ	AX	N	X	Speaker (Sub Woofer)
22	QCNW-K548WJQZ	AE	N	X	Connecting Cord (PD:POW-MAIN)
23	QCNW-K550WJQZ	AD	N	X	Connecting Cord (PL:POW-LCD_CTL)
24	QCNW-K552WJQZ	AE	N	X	Connecting Cord (LB:POW-MAIN)
25	QCNW-K553WJQZ	AF	N	X	Connecting Cord (SB:MAIN-WOOFER)
26	QCNW-K576WJQZ	AP	N	X	Connecting Cord (LW:MAIN-LCD_CTL)
27	XBPS730P06WS0	AA		J	Screw, x37 (for Chassis, PWB)
28	LX-BZA364WJF7	AA	N	X	Screw, x4 (for Sub Woofer)
29	QCNW-K551WJQZ	AQ	N	X	Connecting Cord (RA:MAN-EN/KY/RC)
30	QCNW-K554WJQZ	AG	N	X	Connecting Cord (SP:MAN-SP(L/R))
31	RSP-ZA456WJZZ	AU	N	X	Speaker, x2 (L/R)
32	XBPS730P10WS0	AA		J	Screw, x3 (for LCD)
33	LX-BZA170WJF9	AA	N	X	Screw, x4
34	XBPS830P08JS0	AB		J	Screw, x13 (for Rear Cabinet)
35	XBPS830P14JS0	AA	N	X	Screw (for Terminal)
36	XEBS940P10000	AB		J	Screw, x4 (for Speaker)
37	TLABNB037WJZZ	AB	N	X	Serial Label (Back)
38	TLABNC391WJZZ	-	N	X	Serial Label (Side)
40	PSPAGA889WJKZ	AD	N	X	Spacer Coner-Top, x2
41	PSPAGA891WJKZ	AC	N	X	Spacer Coner-Bottom, x2
42	PZETKA562WJKZ	AC	N	X	AC Barrier
43	CDAi-A653WJ01	BE	N	X	Stand Base Ass'y
44	CANGKC707WJ01	AT	N	X	Support Ass'y
45	CX-BZA363WJ01	AD	N	X	Stand Screw Ass'y
45-3	XBBS840P08000	AA	N	X	Screw

[4] CABINET AND MECHANICAL PARTS (LC-46LE810UN)



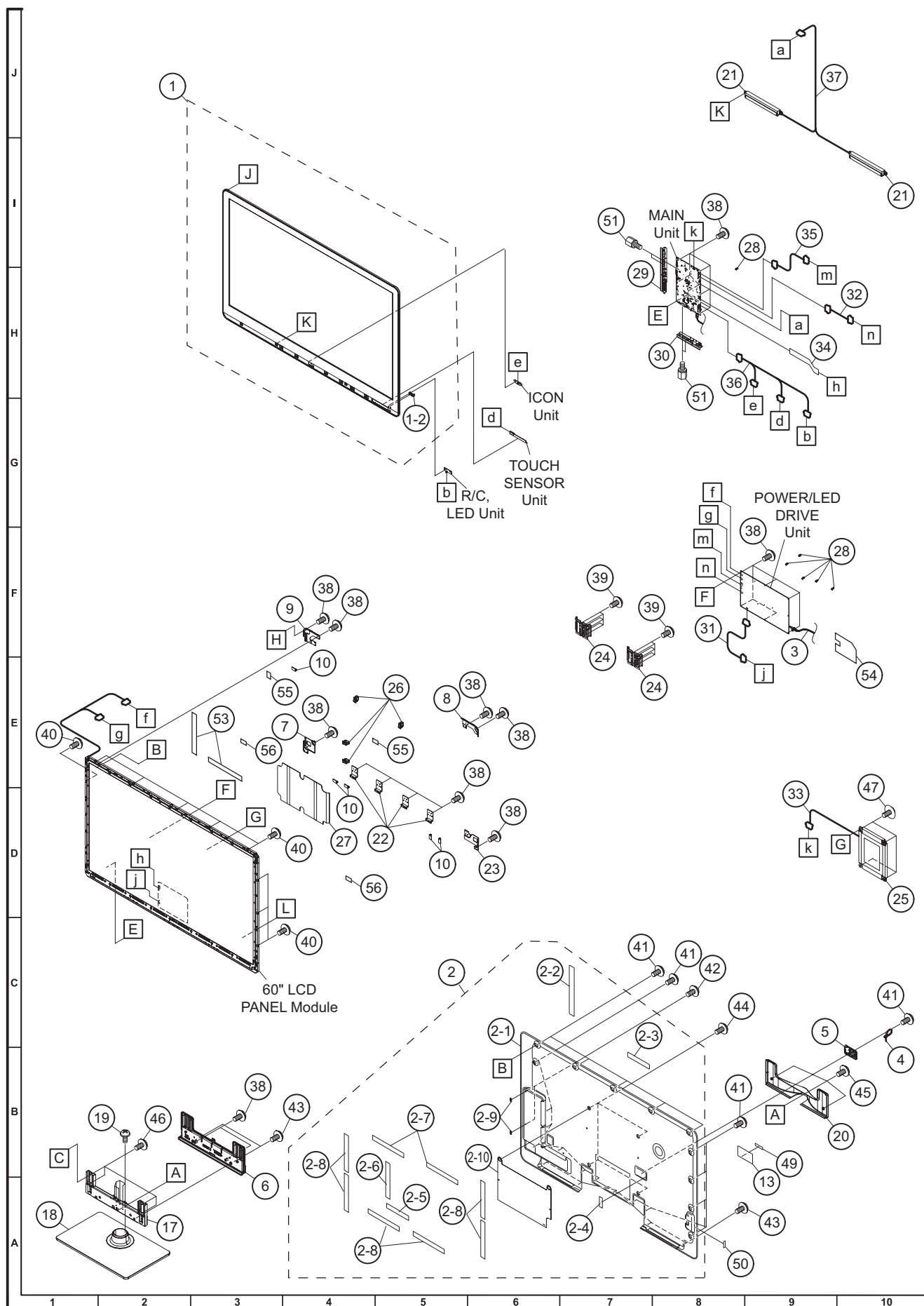
NO.	PARTS CODE	PRICE RANK	NEW MARK	PART DELIVERY	DESCRIPTION
[4] CABINET AND MECHANICAL PARTS (LC-46LE810UN)					
1	CCABAC528WJ31	BS	N	X	Front Cabinet Ass'y
1-2	HDECQB442WJ3A	AA	N	X	R/C Decoration Cover
2	CCABBB694WE01	BN	N	X	Rear Cabinet Ass'y
2-1	Not available	-	N	X	Rear Cabinet
2-2	HiNDPD877WJSA	AF	N	X	Terminal Label S
2-3	HiNDPD700WJSA	AD	N	X	Terminal Label B
2-4	PSPAHC152WJ3Z	AA	N	X	Spacer
2-5	PSPAHC461WJZZ	AC	N	X	Spacer 1
2-6	PZETKA539WJKZ	AZ	N	X	Insulator
2-7	PSPAHC159WJZZ	AA	N	X	170x10x0.5 Himeron
2-8	PSPAHC160WJZZ	AB	N	X	300x10x0.5 Himeron
2-9	PSPAHC169WJZZ	AB	N	X	510x8x0.5 Himeron, x2
2-10	PSPAHC170WJZZ	AB	N	X	630x8x0.5 Himeron
2-11	PSPAHC171WJZZ	AB	N	X	385x8x0.5 Himeron, x2
3	QACDA074WJPZ	AG	N	X	AC Cord
4	LHLDKA011WJKZ	AB	N	X	AC Cord Band
5	GCOVAD699WJ3A	AC	N	X	AC Cord Cover
6	GCOVAD697WJ3A	AF	N	X	Stand Cover
7	LANGKC695WJFW	AD	N	X	LCD Fixing Metal Angle B-R
8	LHLDWA176WJUJ	AC	N	J	Holder, x2
9	HiNDPD719WJSA	AB	N	X	Model Label
10	LANGKC694WJFW	AD	N	X	LCD Fixing Metal Angle B-L
11	LANGKC696WJFW	AD	N	X	LCD Fixing Metal Angle T-L
12	CANGKC697WJ01		N	X	LCD Fixing Metal Angle T-R Ass'y
12-1	LANGKC697WJFW	AD	N	X	LCD Fixing Metal Angle T-R
12-2	PSPAHC165WJZZ	AA	N	X	Himeron
13	LANGKC698WJFW	AB	N	X	LCD Fixing Metal Angle B-MA
14	LANGKC810WJFW	AC	N	X	LCD Fixing Metal Angle B-MB
15	PMLT-A632WJZZ	AC	N	X	Absorber
16	PCLICA014WJKZ	AA	N	X	Clip, x2
17	QEARZA186WJZZ	AD	N	X	Ground Part, x2
18	CANGKC700WJ31	AR	N	X	Stand Angle Ass'y
18-1	LANGKC700WJFW	AQ	N	X	Stand Angle
18-2	Not available	-	N	X	Spacer, x2
19	RSP-ZA458WJZZ	AX	N	X	Speaker (Sub Woofer)
20	LHLDWA175WJUJ	AC		J	Holder, x7
21	LHLDWA289WJKZ	AC		J	Holder, x3
22	LHLDZA587WJKZ	AC		J	Holder, x6
23	GCOVAD734WJ00	AF	N	X	Terminal Cover S
24	GCOVAD735WJ00	AE	N	X	Terminal Cover B
25	NSFTZA362WJFW	AA	N	X	Shaft, x4
26	RSP-ZA456WJZZ	AU	N	X	Speaker, x2 (L/R)
27	QCNW-K548WJQZ	AE	N	X	Connecting Cord (PD:POW-MAIN)
28	QCNW-K550WJQZ	AD	N	X	Connecting Cord (PL:POW-LCD_CTL)
29	QCNW-K552WJQZ	AE	N	X	Connecting Cord (PL:POW-LCD_CTL)
30	QCNW-K570WJQZ	AE	N	X	Connecting Cord (SB:MAIN-WOOFER)
31	QCNW-K577WJQZ	AQ	N	X	Connecting Cord (LW:MAIN-LCD_CTL)
32	QCNW-K572WJQZ	AQ	N	X	Connecting Cord (RA:MAN-EM/KY/RC)
33	QCNW-K559WJQZ	AG	N	X	Connecting Cord (SP:MAN-SP(L/R))
34	XBPS730P06WS0	AA		J	Screw, x34 (for Chassis, PWB)
35	LX-BZA364WJF7	AA	N	X	Screw, x4 (for Sub Woofer)
36	PSPAGA889WJKZ	AD	N	X	Spacer (Coner Top) (15x25x6), x2
37	PSPAGA891WJKZ	AC	N	X	Spacer (Coner Bottom) (18x18x4), x2
38	PSPAGA892WJKZ	AC	N	X	Spacer (Coner Top) (15x25x8)
39	TLABNB037WJZZ	AB	N	X	Serial Label (Back)
40	TLABNC391WJZZ	-	N	X	Serial Label (Side)
41	XBPS730P10WS0	AA		J	Screw, x5 (for LCD)
42	PSPAHC165WJZZ	AA	N	X	Himeron, x2
43	LX-BZA170WJF9	AA	N	X	Screw, x4
44	XBPS830P14JS0	AA	N	X	Screw, x1 (for Terminal)
45	XEBS940P10000	AB		J	Screw, x4 (for Speaker)
46	XBPS830P08JS0	AB		J	Screw, x17 (for Rear Cabinet)
47	PZETKA538WJKZ	AW	N	X	Insulator
48	PZETKA562WJKZ	AC	N	X	AC Barrier
49	CDAi-A654WJ01	BG	N	X	Stand Base Ass'y
50	CANGKC708WJ01	AV	N	X	Support Ass'y
51	CX-BZA363WJ01	AD	N	X	Stand Screw Ass'y
51-3	XBBS840P08000	AA	N	X	Screw

[5] CABINET AND MECHANICAL PARTS (LC-52LE810UN)



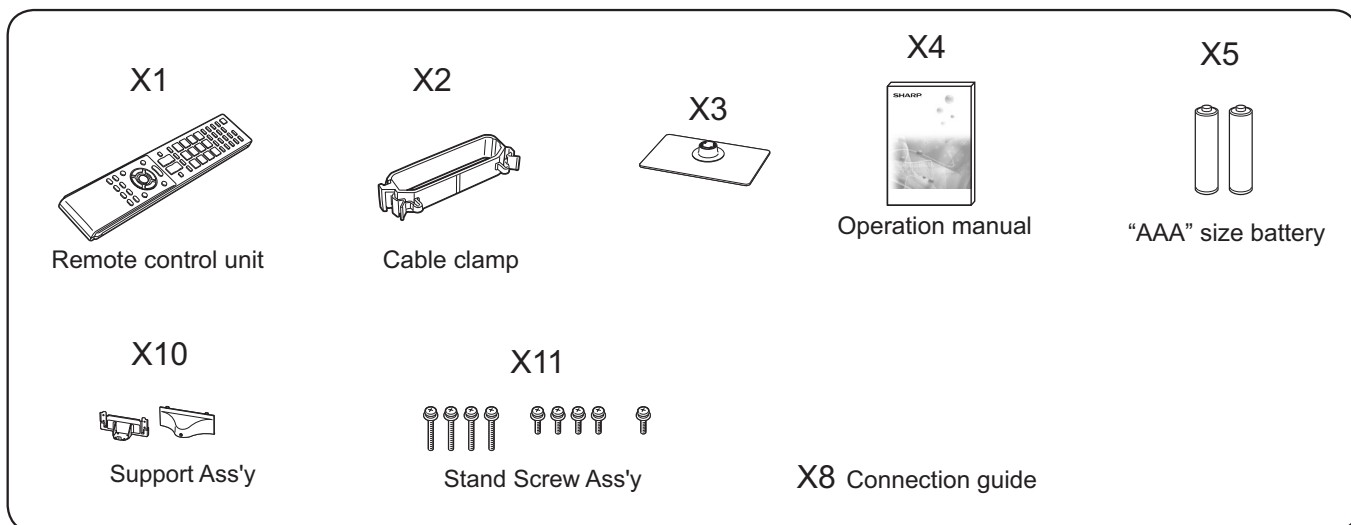
NO.	PARTS CODE	PRICE RANK	NEW MARK	PART DELIVERY	DESCRIPTION
[5] CABINET AND MECHANICAL PARTS (LC-52LE810UN)					
1	CCABAC529WJ31	BT	N	X	Front Cabinet Ass'y
1-2	HDECQB442WJ3A	AA	N	X	R/C Decoration Cover
2	CCABBB695WJ31	BM	N	X	Rear Cabinet Ass'y
2-1	Not available	-	N	X	Rear Cabinet
2-2	HiNDPD699WJSA	AF	N	X	Terminal Label S
2-3	HiNDPD700WJSA	AD	N	X	Terminal Label B
2-4	PSPAHC152WJ3Z	AA	N	X	AC Himeron
2-5	PSPAHC159WJZZ	AA	N	X	170x10x0.5 Himeron
2-6	PSPAHC160WJZZ	AB	N	X	300x10x0.5 Himeron
2-7	PSPAHC166WJZZ	AB	N	X	445x8x0.5 Himeron, x2
2-8	PSPAHC172WJZZ	AB	N	X	575x8x0.5 Himeron, x2
2-9	PSPAHC173WJZZ	AB	N	X	695x8x0.5 Himeron, x2
2-10	PSPAHC461WJZZ	AC	N	X	Spacer A
2-11	PZETKA539WJKZ	AZ	N	X	Power Barrir
3	QACDA074WJPZ	AG	N	X	AC Cord
4	LHLDKA011WJKZ	AB	N	X	AC Cord Band
5	GCOVAD699WJ3A	AC	N	X	AC cord Cover
6	GCOVAD697WJ3A	AF	N	X	Stand Cover
7	LANGKC695WJFW	AD	N	X	LCD Fixing Metal Angle B-R
8	LHLDWA176WJUJ	AC		J	Holder, x2
11	HiNDPD720WJSA	AB	N	X	Model Label
12	LANGKC694WJFW	AD	N	X	LCD Fixing Metal Angle B-L
13	LANGKC696WJFW	AD	N	X	LCD Fixing Metal Angle T-L
14	LANGKC697WJFW	AD	N	X	LCD Fixing Metal Angle T-R
15	LANGKC698WJFW	AB	N	X	LCD Fixing Metal Angle B-MA
16	LANGKC810WJFW	AC	N	X	LCD Fixing Metal Angle B-MB
17	PMLT-A632WJZZ	AC	N	X	Absorber
18	QEARZA186WJZZ	AD	N	X	Ground Part, x2
19	PCLICA014WJKZ	AA	N	X	Clip, x2
20	CANGKC700WJ31	AR	N	X	Stand Angle Ass'y
20-1	LANGKC700WJFW	AQ	N	X	Stand Angle
20-2	Not available	-	N	X	Spacer, x2
21	RSP-ZA457WJZZ	AX	N	X	Speaker (Sub Woofer)
22	LHLDWA175WJUJ	AC		J	Holder, x10
23	LHLDWA289WJKZ	AC	N	J	Holder, x6
24	PZETKA538WJKZ	AW	N	X	Insulator
25	LHLDZA587WJKZ	AC		J	Holder, x6
26	GCOVAD734WJ00	AF	N	X	Terminal Cover S
27	GCOVAD735WJ00	AE	N	X	Terminal Cover B
28	NSFTZA362WJFW	AA	N	X	Shaft, x4
29	QCNW-K548WJQZ	AE	N	X	Connecting Cord
30	QCNW-K550WJQZ	AD	N	X	Connecting Cord (PL:POW-LCD CTL)
31	QCNW-K552WJQZ	AE	N	X	Connecting Cord (LB:POW-MAIN)
32	QCNW-K577WJQZ	AQ	N	X	Connecting Cord (LW:MAIN-LCD CTL)
33	QCNW-K574WJQZ	AE	N	X	Connecting Cord (SB:MAIN-WOOFER)
34	PSPAGA889WJKZ	AD	N	X	Spacer (Coner Top) (15x25x6) x2
35	PSPAGA891WJKZ	AC	N	X	Spacer (Coner Bottom) (18x18x4) x2
36	PSPAGA892WJKZ	AC	N	X	Spacer (Coner Top) (15x25x8)
37	XBPS730P06WS0	AA		J	Screw, x34 (for Chassis, PWB)
38	LX-BZA364WJF7	AA	N	X	Screw, x4 (for Sub Woofer)
42	QCNW-K562WJQZ	AR	N	X	Connecting Cord (RA:MAN-EN/KY/RC)
43	QCNW-K579WJQZ	AG	N	X	Connecting Cord (SP:MAN-SP(L/R))
44	XBPS730P10WS0	AA		J	Screw, x6 (for LCD)
45	RSP-ZA456WJZZ	AU	N	X	Speaker, x2 (L/R)
46	XBPS830P08JS0	AB		J	Screw, x19 (for Rear Cabinet)
47	XBPS830P14JS0	AA	N	X	Screw (for Terminal)
48	XEBS940P10000	AB		J	Screw, x4 (for Speaker)
49	LX-BZA170WJF9	AA	N	X	Screw, x4
50	TLABNB037WJZZ	AB	N	X	Serial Label (Back)
51	TLABNC391WJZZ	-	N	X	Serial Label (Side)
53	PZETKA562WJKZ	AC	N	X	AC Barrier
54	CDAi-A654WJ01	BG	N	X	Stand Base Ass'y
55	CANGKC708WJ01		N	X	Support Ass'y
56	CX-BZA363WJ01	AD	N	X	Stand Screw Ass'y
56-3	XBBS840P08000	AA	N	X	Screw

[6] CABINET AND MECHANICAL PARTS (LC-60LE810UN)



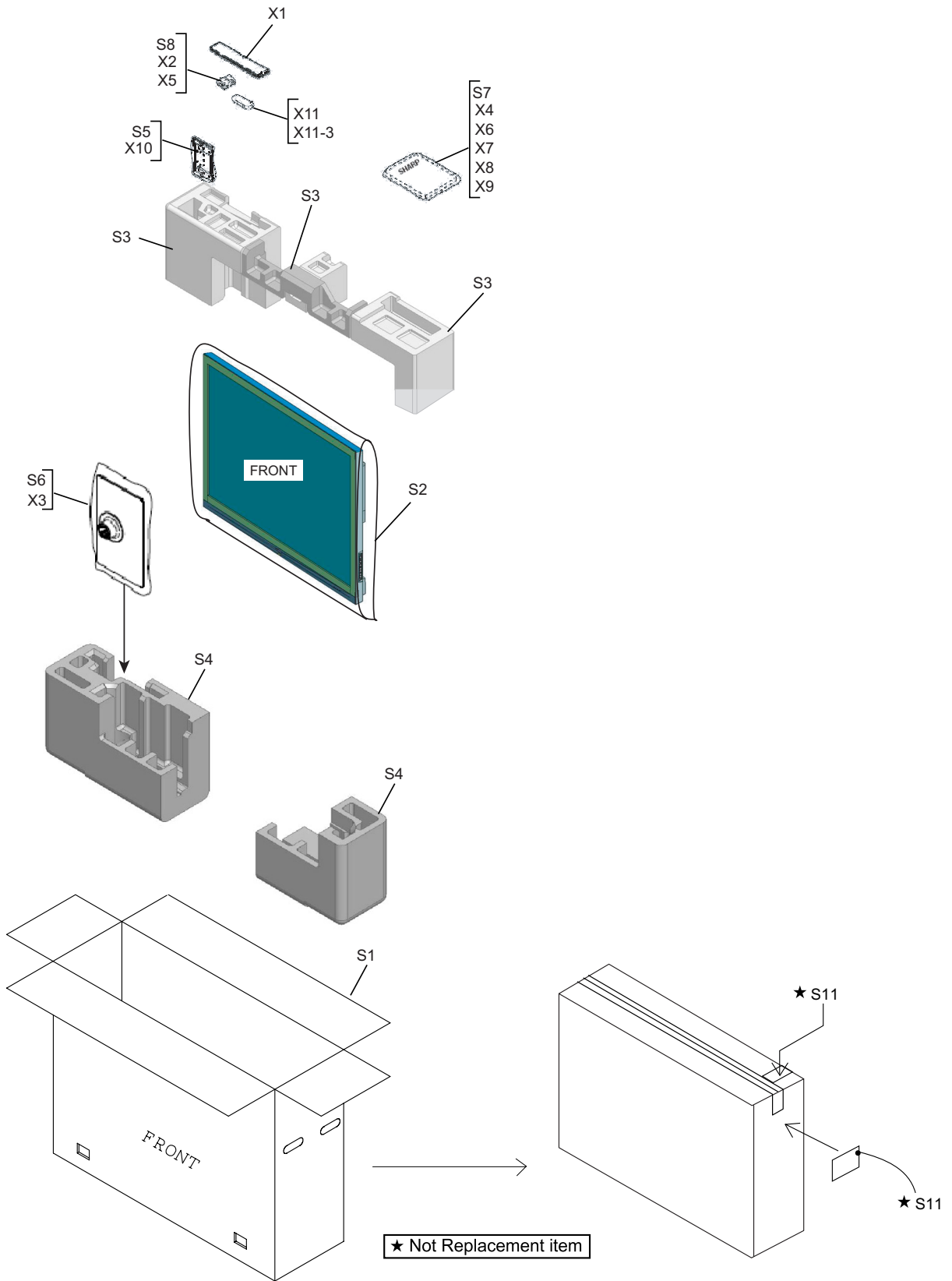
NO.	PARTS CODE	PRICE RANK	NEW MARK	PART DELIVERY	DESCRIPTION
[6] CABINET AND MECHANICAL PARTS (LC-60LE810UN)					
1	CCABAC530WJ31	BV	N	X	Front Cabinet Ass'y
1-2	HDECQB442WJ3A	AA	N	X	R/C Decoration Cover
2	CCABBB696WE01	BR	N	X	Rear Cabinet Ass'y
2-1	Not available		N	X	Rear Cabinet
2-2	HiNDPD699WJSA	AF	N	X	Terminal Label S
2-3	HiNDPD700WJSA	AD	N	X	Terminal Label B
2-4	PSPAHC152WJ3Z	AA	N	X	AC Himeron
2-5	PSPAHC159WJZZ	AA	N	X	170x10x0.5 Himeron
2-6	PSPAHC160WJZZ	AB	N	X	300x10x0.5 Himeron
2-7	PSPAHC170WJZZ	AB	N	X	630x8x0.5 Himeron, x2
2-8	PSPAHC170WJZZ	AB	N	X	385x8x0.5 Himeron, x6
2-9	PSPAHC462WJZZ	AC	N	X	Spacer B, x2
2-10	PZETKA539WJKZ	AZ	N	X	Insulator
3	QACDA074WJPZ	AG	N	X	AC Cord
4	LHLDKA011WJKZ	AB	N	X	AC Cord Band
5	GCOVAD699WJ3A	AC	N	X	AC cord Cover
6	GCOVAD698WJ3A	AM	N	X	Stand Cover
7	LANGKC695WJFW	AD	N	X	LCD Fixing Metal Angle B-R
8	LANGKC696WJFW	AD	N	X	LCD Fixing Metal Angle T-L
9	LANGKC697WJFW	AD	N	X	LCD Fixing Metal Angle T-R
10	LHLDWA175WJUJ	AC		J	Holder, x5
13	HiNDPD721WJSA	AB	N	X	Model Label
17	CANGKC709WJ01	AY	N	X	Support Ass'y
18	CDAi-A655WJ01	BL	N	X	Stand Base Ass'y
19	LX-BZA366WJZZ	AA	N	X	Screw, x6 (for Support Angle)
20	GCOVAD702WJKA	AR	N	X	Support Cover
21	RSP-ZA456WJZZ	AU	N	X	Speaker, x2 (L/R)
22	LANGKC698WJFW	AB	N	X	LCD Fixing Metal Angle B-MA, x4
23	LANGKC694WJFW	AD	N	X	LCD Fixing Metal Angle B-L
24	LANGKC701WJFW	AF	N	X	Stand Angle, x2
25	RSP-ZA457WJZZ	AX	N	X	Speaker (Sub Woofer)
26	LHLDWA289WJKZ	AC		J	Holder, x4
27	PZETKA538WJKZ	AW	N	X	Insulator
28	LHLDZA587WJKZ	AC		J	Holder, x6
29	GCOVAD734WJ00	AF	N	X	Terminal Cover S
30	GCOVAD735WJ00	AE	N	X	Terminal Cover B
31	QCNW-K550WJQZ	AD	N	X	Connecting Cord (PL:POW-LCD_CTL)
32	QCNW-K566WJQZ	AE	N	X	Connecting Cord (PD:POW-MAIN)
33	QCNW-K570WJQZ	AE	N	X	Connecting Cord (SB:MAIN-WOOFER)
34	QCNW-K578WJQZ	AQ	N	X	Connecting Cord (LW:MAIN-LCD_CTL)
35	QCNW-K575WJQZ	AE	N	X	Connecting Cord (LB:POW-MAIN)
36	QCNW-K567WJQZ	AS	N	X	Connecting Cord (RA:MAN-EN/KY/RC)
37	QCNW-K568WJQZ	AG	N	X	Connecting Cord (SP:MAN-SP(L/R))
38	XBPS730P06WS0	AA		J	Screw, x27 (for Chassis, PWB)
39	XBPS840P08000	AA	N	X	Screw, x12 (for Stand Angle)
40	XBPS730P10WS0	AA		J	Screw, x9 (for LCD)
41	XBPS830P08JS0	AB		J	Screw, x19 (for Rear Cabinet)
42	XBPS830P14JS0	AA	N	X	Screw, x2 (for Terminal)
43	XEBS940P10000	AB		J	Screw, x7 (for Stand Cover)
44	LX-BZA170WJF9	AA	N	X	Screw, x4
45	XBPS840P12000	AA	N	X	Screw, x3 (for Support Cover)
46	XBPS950P12KS0	AA	N	X	Screw, x4 (for Stand Fixing Metal)
47	LX-BZA364WJF7	AA	N	X	Screw, x4 (for Sub Woofer)
49	TLABNB037WJZZ	AB	N	X	Serial Label (Back)
50	TLABNC391WJZZ	-	N	X	Serial Label (Side)
51	NSFTZA362WJFW	AA	N	X	Shaft, x4
53	PSPAHC160WJZZ	AB	N	X	Himeron, x2
54	PZETKA562WJKZ	AC	N	X	AC Barrier
55	PSPAGA890WJKZ	AE	N	X	Spacer Coner-Top, x2
56	PSPAGA892WJKZ	AC	N	X	Spacer Coner-Bottom, x2

[7] SUPPLIED ACCESSORIES



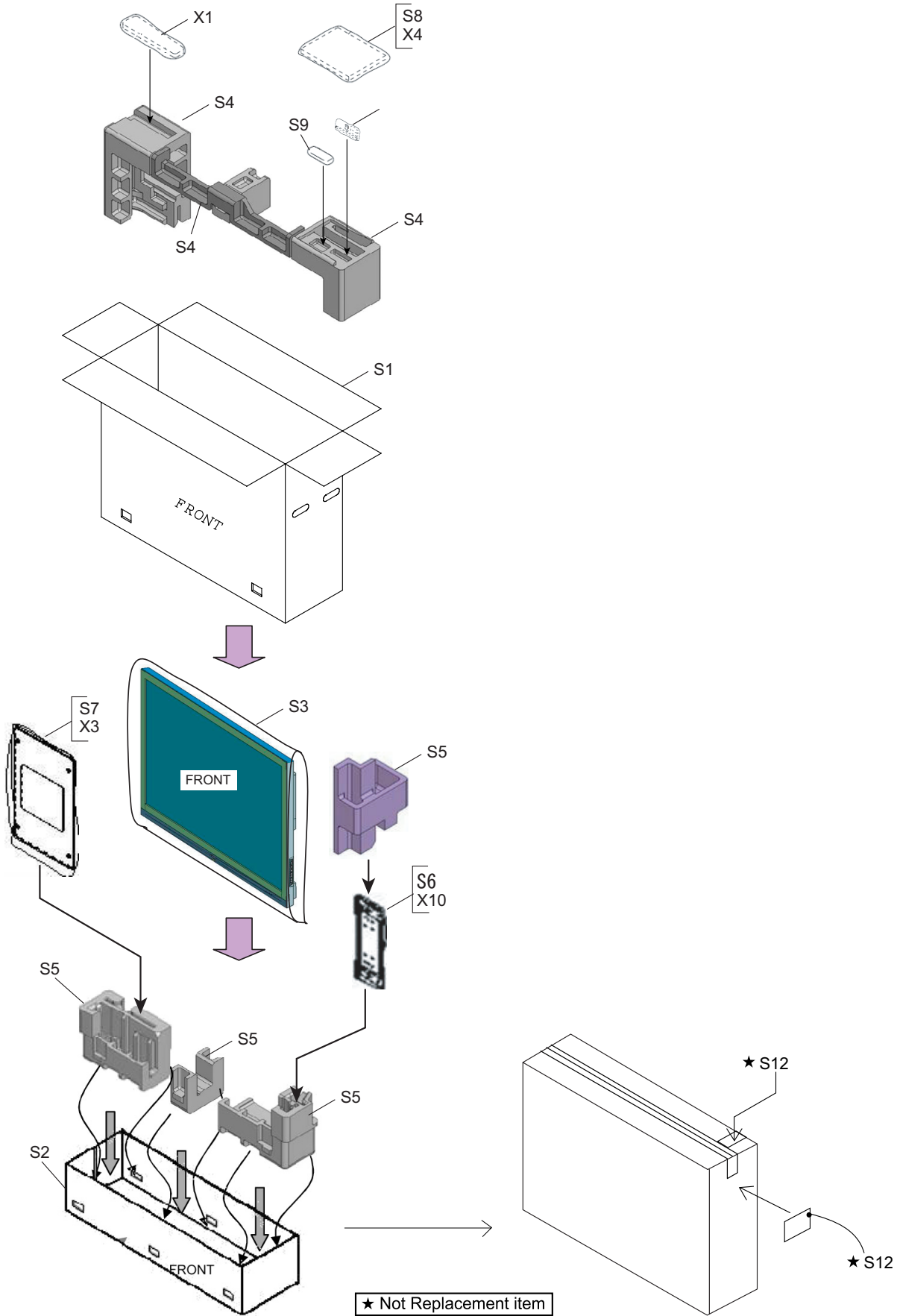
NO.	PARTS CODE	PRICE RANK	NEW MARK	PART DELIVERY	DESCRIPTION
[7] SUPPLIED ACCESSORIES					
X1	RRMCGA840WJSA	AR	N	X	Remote Control
X2	LHLDWA289WJKZ	AC		J	Cable Clamp, x5
X3	CDAi-A653WJ01	BE	N	X	Stand Base Ass'y (LC-40LE810UN)
X3	CDAi-A654WJ01	BG	N	X	Stand Base Ass'y (LC-46/52LE810UN)
X4	TINS-E589WJZZ	AL	N	X	Operation Manual
X5	Not available	AD		X	"AAA" size battery
X6	TCADFA243WJZZ	AB	N	X	Enquete Card
X7	TMAN-A030WJZZ	AB	N	X	Netflix Handbill
X8	TMAN-A032WJZZ	AB	N	X	Conection Guide
X9	TGAN-B489WJZZ		N	X	Guarantee Card
X10	CANGKC707WJ01		N	X	Support Ass'y (LC-40LE810UN)
X10	CANGKC708WJ01	AV	N	X	Support Ass'y (LC-46/52LE811UN)
X11	CX-BZA363WJ01	AD	N	X	Stand Screw Ass'y
X11-3	XBBS840P08000	AB			Screw

[8] PACKING PARTS (LC-40LE810UN) (NOT REPLACEMENT ITEM)



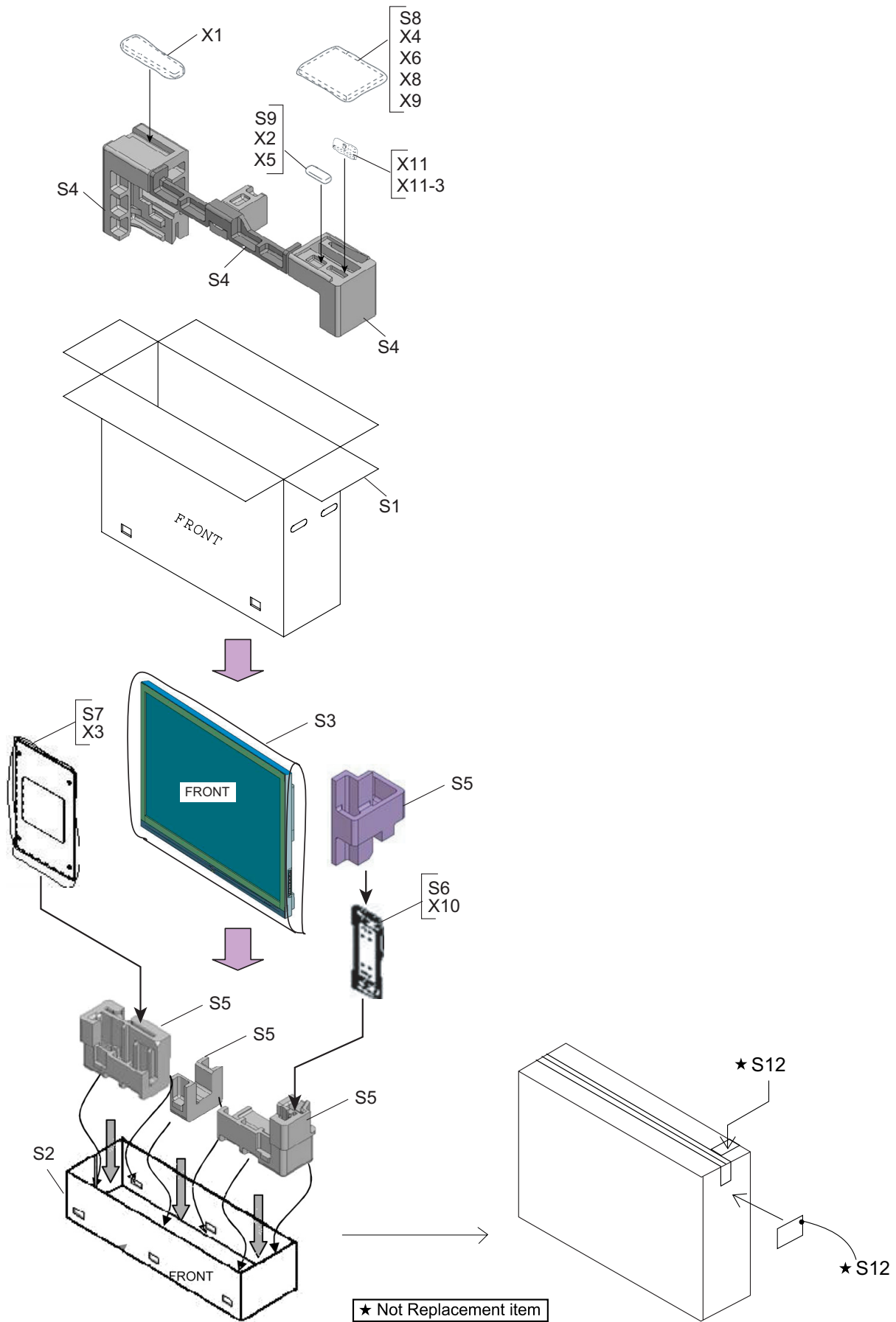
NO.	PARTS CODE	PRICE RANK	NEW MARK	PART DELIVERY	DESCRIPTION
[8] PACKING PARTS (LC-40LE810UN) (NOT REPLACEMENT ITEM)					
S1	SPAKCF500WJZZ	AY	N	X	Packing Case
S2	SPAKPB219WJZZ	AE	N	X	Wrapping Paper
S3	SPAKXC908WJZZ	AN	N	X	Packing Add. (Top)
S4	SPAKXC913WJZZ	AT	N	X	Packing Add. (Bottom)
S5	SPAKPB526WJZZ	-	N	X	Not Available Wrapping Paper with the CANGKC707WJ01
S6	SPAKPB528WJZZ	-	N	X	Not Available Wrapping Paper with the CDAI-A653WJ01
S7	SSAKA0101GJZZ	AA	N	X	Polyethylene Bag
S8	SSAKAA032WJZZ	AB		J	Polyethylene Bag
S11	TLABKA009WJZZ	AA	N	X	Case No. Label

[9] PACKING PARTS (LC-46LE810UN) (NOT REPLACEMENT ITEM)



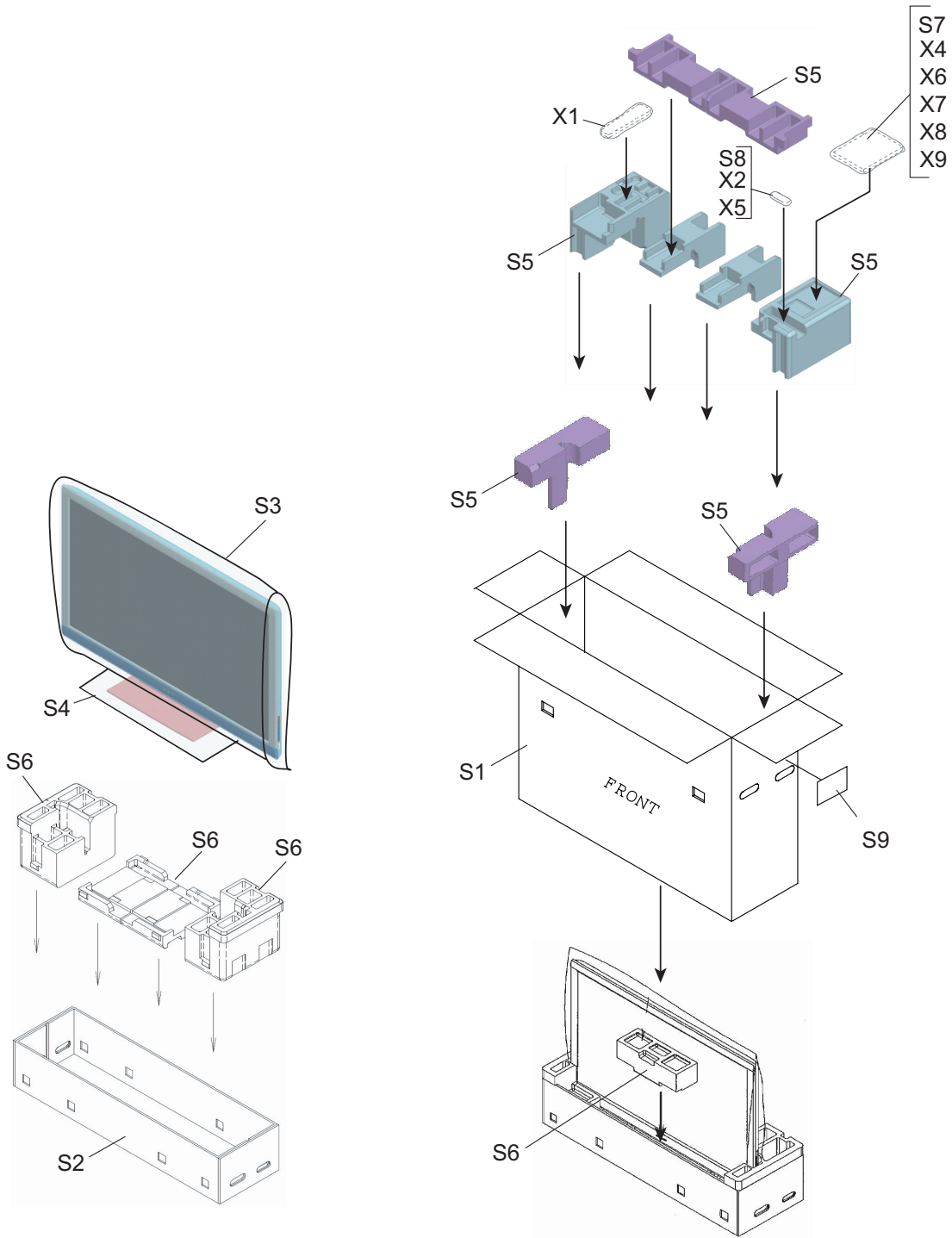
NO.	PARTS CODE	PRICE RANK	NEW MARK	PART DELIVERY	DESCRIPTION
[9] PACKING PARTS (LC-46LE810UN) (NOT REPLACEMENT ITEM)					
S1	SPAKCF501WJZZ	AY	N	X	Packing Case
S2	SPAKCF473WJZZ	AK	N	X	Bottom Case
S3	SPAKPA999WJZZ	AF	N	X	Wrapping Paper
S4	SPAKXC909WJZZ	AN	N	X	Packing Add. (Top)
S5	SPAKXC914WJZZ	AT	N	X	Packing Add. (Bottom)
S6	SPAKPB527WJZZ	-	N	X	Not Available Wrapping Paper with the CANGKC708WJ01
S7	SPAKPB529WJZZ	-	N	X	Not Available Wrapping Paper with the CDAI-A654WJ01
S8	SSAKA0101GJZZ	AA	N	X	Polyethylene Bag
S9	SSAKAA032WJZZ	AB		J	Polyethylene Bag
S12	TLABKA009WJZZ	AA	N	X	Case No. Label

[10] PACKING PARTS (LC-52LE810UN) (NOT REPLACEMENT ITEM)



NO.	PARTS CODE	PRICE RANK	NEW MARK	PART DELIVERY	DESCRIPTION
[10] PACKING PARTS (LC-52LE810UN) (NOT REPLACEMENT ITEM)					
S1	SPAKCF502WJZZ	AZ	N	X	Packing Case
S2	SPACKF474WJZZ	AK	N	X	Bottom Case
S3	SPAKPA992WJZZ	AF	N	X	Wrapping Paper
S4	SPAKXC910WJZZ	AP	N	X	Packing Add. (Top)
S5	SPAKXC915WJZZ	AT	N	X	Packing Add. (Bottom)
S6	SPAKPB527WJZZ	-	N	X	Not Available Wrapping Paper with the CANGKC708WJ01
S7	SPAKPB529WJZZ	-	N	X	Not Available Wrapping Paper with the CDAI-A654WJ01
S8	SSAKA0101GJZZ	AA	N	X	Polyethylene Bag
S9	SSAKAA032WJZZ	AB		J	Polyethylene Bag
S12	TLABKA009WJZZ	AA	N	X	Case No. Label

[11] PACKING PARTS (LC-60LE810UN) (NOT REPLACEMENT ITEM)



★ Not Replacement item

NO.	PARTS CODE	PRICE RANK	NEW MARK	PART DELIVERY	DESCRIPTION
[11] PACKING PARTS (LC-60LE810UN) (NOT REPLACEMENT ITEM)					
S1	SPAKCF503WJZZ	BD	N	X	Packing Case
S2	SPAKCF475WJZZ	AR	N	X	Bottom Case
S3	SPAKPB427WJZZ	AH	N	X	Wrapping Paper
S4	SPAKPB518WJZZ	AE	N	X	Wrapping Paper (for Stand)
S5	SPAKXC911WJZZ	AV	N	X	Packing Add. (Top)
S6	SPAKXC916WJZZ	AX	N	X	Packing Add. (Bottom)
S7	SSAKA0101GJZZ	AA	N	X	Polyethylene Bag
S8	SSAKAA032WJZZ	AB		J	Polyethylene Bag
S9	TLABKA009WJZZ	AA	N	X	Case No. Label
[12] SERVICE JIGS (USE FOR SERVICING)					
N	QCNW-C222WJQZ	AW		J	Connecting Cord L=1000mm 80pin LCD Control to LCD Panel Unit x2
N	QCNW-H184WJQZ	AX		J	Connecting Cord L=1000mm 12pin Main to Power Unit (PD)
N	QCNW-F676WJQZ	BH		J	Connecting Cord L=1000mm 41pin Main to LCD Control (LW)
N	QCNW-G405WJQZ	AP		J	Connecting Cord L=1000mm 4pin Main to LCD Control (PL)
N	QCNW-G394WJQZ	AV		J	Connecting Cord L=1000mm 9pin Main to Power (LB)

SHARP

COPYRIGHT © 2010 BY SHARP CORPORATION

ALL RIGHTS RESERVED.

No Part of this publication may be reproduced, stored in a retrieval system, or transmitted in any form or by any means, electronic, mechanical, photocopying, recording, or otherwise, without prior written permission of the publisher.